

- 1) SEE UNIT NAME PLATE FOR ELECTRICAL RATING.
- 2) ALL FIELD WIRING MUST BE IN ACCORDANCE WITH N.E.C.-N.F.P.A. #70.
- 3) WHEN THESE CONDUCTORS EXCEED 25 FT. IN LENGTH, FROM THE OUTDOOR UNIT TO THE FUSED DISCONNECT, THEY MUST BE OF THE SAME SIZE (AMPACITY) AS THE SUPPLY CONDUCTORS TO THE OUTDOOR UNIT.



SCALE NONE	DRAWING # WD-170	DRAWN BY K.M.L.
DATE 2-6-92	REVISION	

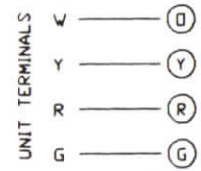
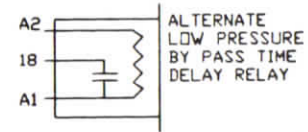
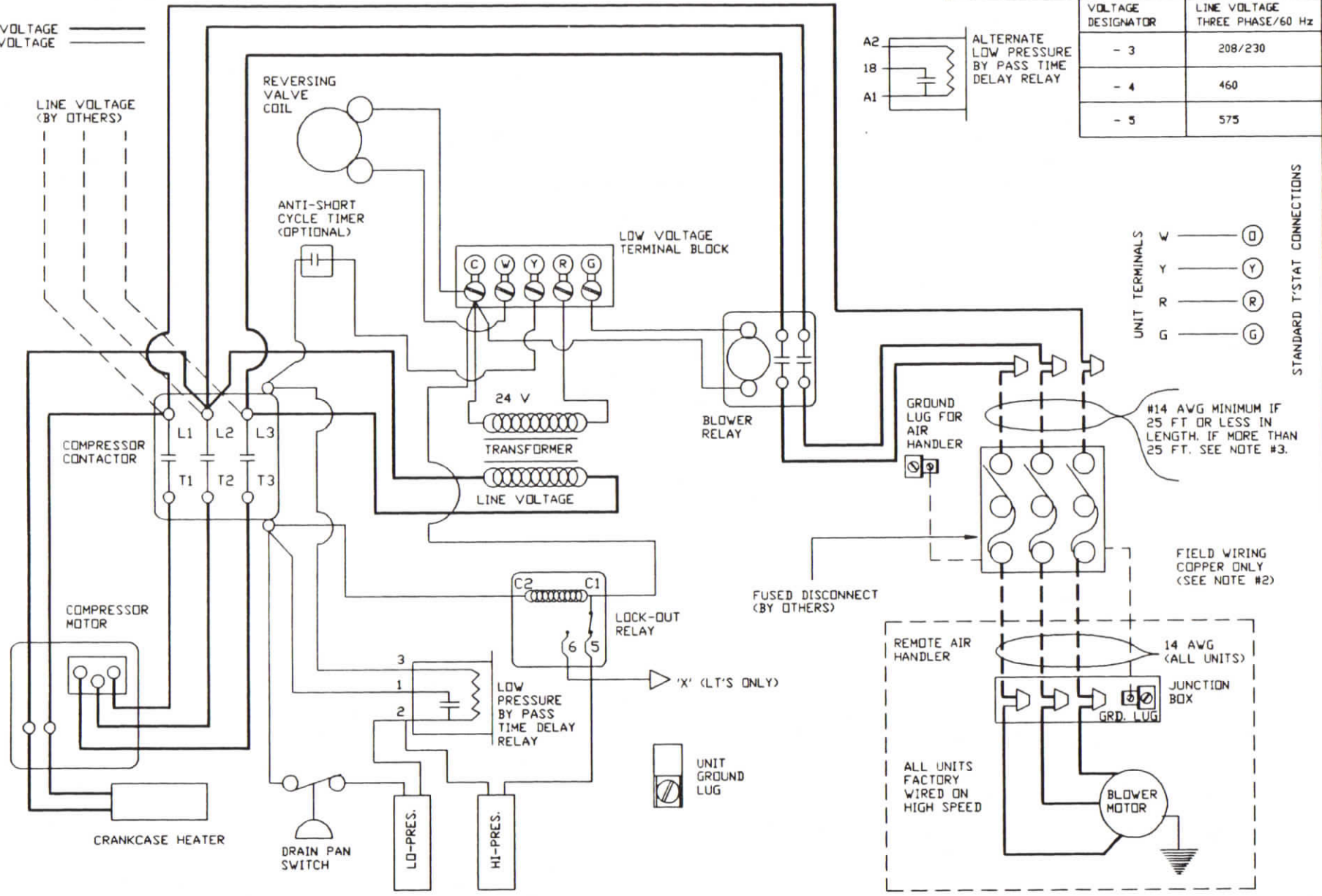
SPLIT SYSTEM WIRING DIAGRAM
THREE PHASE - ALL VOLTAGES
HE080-120 & LT090
MODEL HEAT PUMPS

VOLTAGE DESIGNATOR	LINE VOLTAGE THREE PHASE/60 Hz
- 3	208/230
- 4	460
- 5	575

POWER SUPPLY L1, L2, L3 (USE COPPER CONDUCTORS ONLY)

LINE VOLTAGE
LOW VOLTAGE

LINE VOLTAGE
(BY OTHERS)



STANDARD T-STAT CONNECTIONS

#14 AWG MINIMUM IF
25 FT OR LESS IN
LENGTH. IF MORE THAN
25 FT. SEE NOTE #3.

FIELD WIRING
COPPER ONLY
(SEE NOTE #2)

