

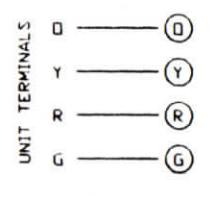
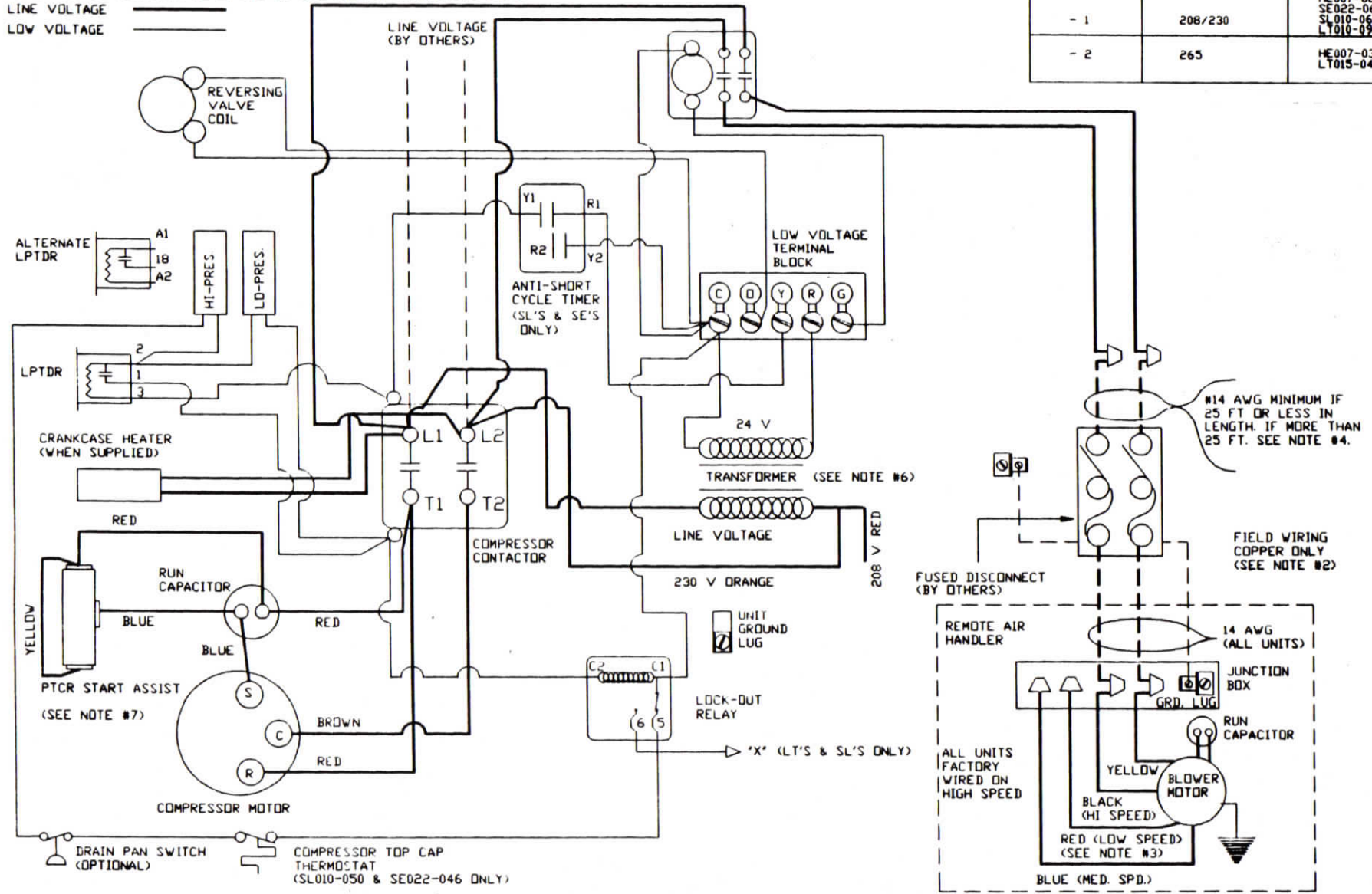



NOTES.

- 1) SEE UNIT NAME PLATE FOR ELECTRICAL RATING.
- 2) ALL FIELD WIRING MUST BE IN ACCORDANCE WITH N.E.C.-N.F.P.A. #70.
- 3) ALL MODELS EXCEPT HE027, SE026, LT030 & SL030.
- 4) WHEN THESE CONDUCTORS EXCEED 25 FT. IN LENGTH, FROM THE OUTDOOR UNIT TO THE FUSED DISCONNECT, THEY MUST BE OF THE SAME SIZE (CAPACITY) AS THE SUPPLY CONDUCTORS TO THE OUTDOOR UNIT.
- 5) ALL UNIT WIRED ON HIGH SPEED EXCEPT HE007 (LOW) & HE009/LT010 (MEDIUM).
- 6) 208/230 VOLT UNITS ARE FACTORY WIRED FOR 230 VOLTS, FOR 208 VOLT OPERATION, REMOVE ORANGE LEAD AND TAPE, REPLACE WITH RED LEAD.
- 7) HARD START KIT FOR HE080 & LT090 NOT SHOWN.
- 8) LPTDR = LOW PRESSURE BY PASS TIME DELAY RELAY.

POWER SUPPLY CONNECTS TO L1 AND L2 (USE COPPER CONDUCTORS ONLY)

LINE VOLTAGE 
 LOW VOLTAGE 

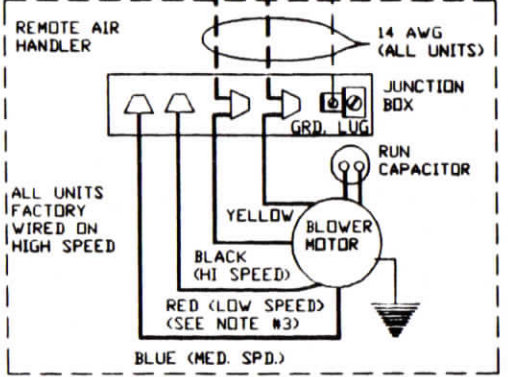


 ENERGY MIZER ENVIRONMENT SYSTEMS FHP Manufacturing a HARROW company	SCALE NONE	DRAWING # WD-160	DRAWN BY K.M.N.
	DATE 2-4-92		REV. DATE 4-7-92
SPLIT SYSTEM - WIRING DIAGRAM ALL VOLTAGES HE007-080 & SE022-063 LT010-090 & SL010-065 MODEL HEAT PUMPS			
VOLTAGE DESIGNATOR	LINE VOLTAGE SINGLE PHASE/60 Hz	APPLICABLE MODELS	
- 0	115	LT010	
- 1	208/230	HE007-080 SE022-063 SL010-065 LT010-090	
- 2	265	HE007-034 LT015-040	

#14 AWG MINIMUM IF 25 FT OR LESS IN LENGTH. IF MORE THAN 25 FT. SEE NOTE #4.

FIELD WIRING COPPER ONLY (SEE NOTE #2)

FUSED DISCONNECT (BY OTHERS)



UNIT GROUND LUG

LOCK-OUT RELAY

X (LT'S & SL'S ONLY)

DRAIN PAN SWITCH (OPTIONAL)

COMPRESSOR TOP CAP THERMOSTAT (SL010-050 & SE022-046 ONLY)