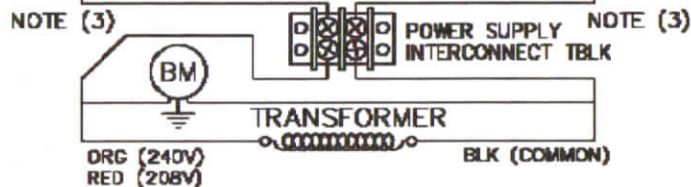
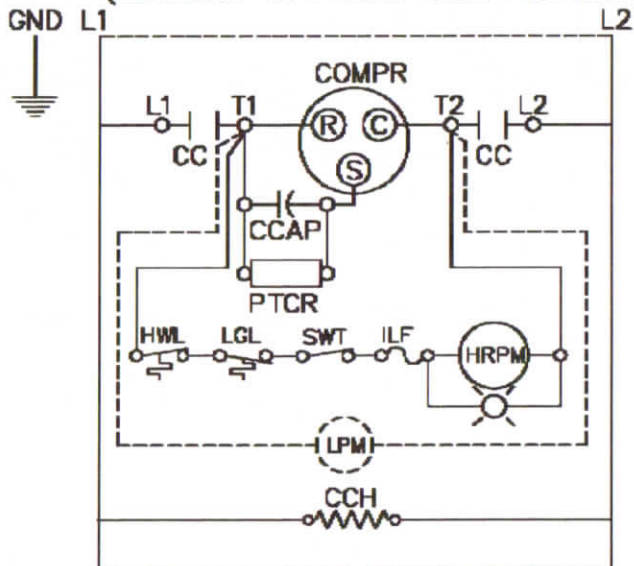


LINE VOLTAGE (208/230-1-60)
USE COPPER CONDUCTORS ONLY
(CONNECT TO POWER TBLK PROVIDED)



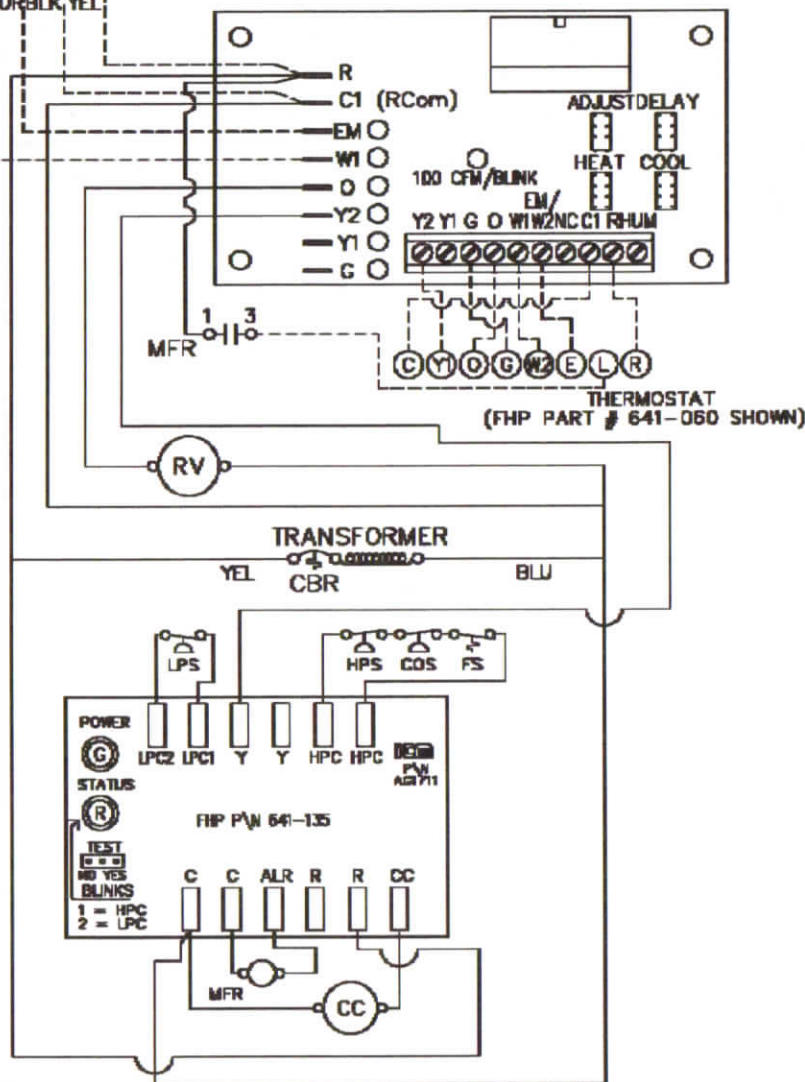
- LEGEND**
- BM - BLOWER MOTOR
 - CBR - CIRCUIT BREAKER
 - CC - COMPRESSOR CONTACTOR
 - CCH - CRANK CASE HEATER
 - CCAP - COMPR. RUN CAPACITOR
 - COS - CONDENSATE OVERFLOW SWITCH
 - HPS - HIGH PRESSURE SWITCH
 - LPS - LOW PRESSURE SWITCH
 - LPM - LOOP PUMP MOTOR
 - PTCR - POSITIVE TEMP. COEFF. RESISTOR
 - RV - REVERSING VALVE SOLENOID

- OPTIONAL COMPONENTS**
- [] HP - INTERNAL ELECTRIC HEAT
 - [] HRP - HEAT RECOVERY PKG, INCLUDES:
 - HRBL - HEAT RECOVERY BOX LIGHT
 - HRPM - HEAT RECOVERY PUMP MOTOR
 - [] HWL - HOT WATER LIMIT (140 DEG.)
 - [] ILF - IN-LINE FUSE
 - [] LGL - LOW GAS TEMP LIMIT (100 DEG)
 - [] SWT - HEAT RECOVERY ON/OFF SWITCH
 - [] MFR - MALFUNCTION RELAY (NOTE 4)

- NOTES:**
- (1) USE COPPER CONDUCTORS ONLY.
 - (2) FOR ELECTRIC HEAT DIAGRAM, SEE HEATER CONTROL BOX.
 - (3) REMOVE JUMPER WIRES FROM POWER TBLK TO POWER INTERCONNECT TBLK WHEN ELECTRIC HEAT IS INSTALLED
 - (4) MFR REQUIRED WHEN MALF. LIGHT IS POWERED FROM "R". IF MALF LIGHT IS POWERED FROM "C", CONNECT TO "ALR" ON CCM BOARD

TO ELECTRIC HEATER CONTROL BOX
WHEN ELECTRIC HEAT IS INSTALLED
RED/PUR/BLK/YEL

TO ICM MOTOR



SINGLE PHASE WIRING DIAGRAM			
GEO-MISER, SINGLE-STEP W/ CCM-I CONTROLLER			
REV	DATE	BY	REV
GO111002	GO111002	RKS	D
SCALE	DATE 8-25-00		

NEW SX/GO REPLACE
DIAGRAM