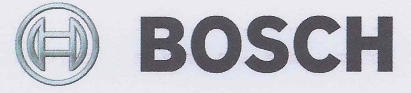
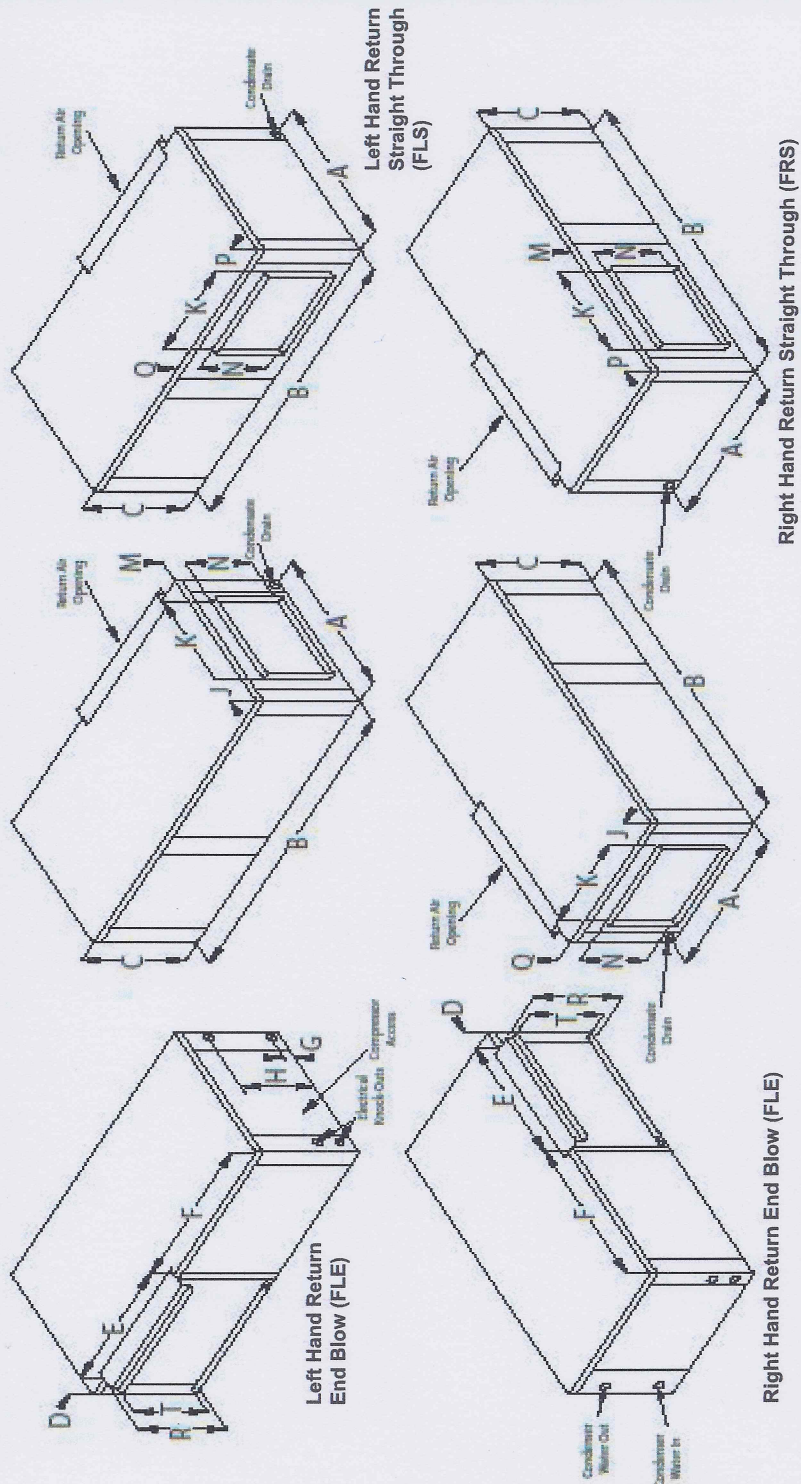


Greensource i Series Model SV Water Source Heat Pump 1/2 to 6 Ton



SV Horizontal Unit Dimensions and Connections

| MODEL | Width | Depth | Cabinet End to Filter Rack Height | Cabinet End to Filter Rack | R/A Duct Fig Width | Cabinet Front to Filter Rack | Water Inlet | Water Outlet | Side to Discharge (End) | Discharge Width | Top to Discharge (FLE & FRS) | Discharge Height | End to Discharge (Straight) | Top to Discharge (FLE & FLS) | R/A Duct Fig Width | R/A Duct Fig Height | Condenser Water Connections | Recommended Standard Replacement Nominal Filter Size |
|-------|-------|-------|-----------------------------------|----------------------------|--------------------|------------------------------|-------------|--------------|-------------------------|-----------------|------------------------------|------------------|-----------------------------|------------------------------|--------------------|---------------------|-----------------------------|--|
| | | | | | | | | | | | | | | | | | | |
| SV007 | 19 | 33 | 11.5 | 1.5 | 16.15 | 15.35 | 2.38 | 9.625 | 5.13 | 5.8125 | 6.22 | 3.6 | 5.13 | 1.66 | 14.5 | 8.6 | 3/4" F.P.T. | 10x16x1 |
| SV009 | 19 | 33 | 11.5 | 1.5 | 16.15 | 15.35 | 2.38 | 9.625 | 5.13 | 5.8125 | 6.22 | 3.6 | 5.13 | 1.66 | 14.5 | 8.6 | 3/4" F.P.T. | 10x16x1 |
| SV012 | 19 | 33 | 11.5 | 1.5 | 16.15 | 15.35 | 2.38 | 9.625 | 5.13 | 5.8125 | 6.22 | 3.6 | 5.13 | 1.66 | 14.5 | 8.6 | 3/4" F.P.T. | 10x16x1 |
| SV015 | 22 | 43 | 17 | 1.5 | 20.15 | 21.35 | 2.86 | 15.38 | 6.9 | 5.95 | 9.8 | 3.6 | 6.4 | 3.64 | 18.5 | 15 | 3/4" F.P.T. | 16x20x1 |
| SV018 | 22 | 43 | 17 | 1.5 | 20.15 | 21.35 | 2.86 | 15.38 | 5.7 | 8.6 | 6.36 | 9.15 | 5.2 | 1.5 | 18.5 | 15 | 3/4" F.P.T. | 16x20x1 |
| SV024 | 22 | 43 | 17 | 1.5 | 25.15 | 16.35 | 2.86 | 14.13 | 5.7 | 8.6 | 6.36 | 9.15 | 5.2 | 1.5 | 23.5 | 15 | 3/4" F.P.T. | 16x25x1 |
| SV030 | 22 | 43 | 17 | 1.5 | 25.15 | 16.35 | 2.86 | 14.13 | 5.7 | 8.6 | 6.36 | 9.15 | 5.2 | 1.5 | 23.5 | 15 | 3/4" F.P.T. | 16x25x1 |
| SV036 | 22 | 54.5 | 19 | 1.5 | 30 | 23 | 2.85 | 16.13 | 6.9 | 8.63 | 7.75 | 9.8 | 6.4 | 1.46 | 28.5 | 17 | 3/4" F.P.T. | 18x30x1 |
| SV041 | N/A | N/A | N/A | N/A | N/A | N/A | N/A | N/A | N/A | N/A | N/A | N/A | N/A | N/A | N/A | N/A | N/A | N/A |
| SV042 | 22 | 54.5 | 19 | 1.5 | 30 | 23 | 2.85 | 16.13 | 6.9 | 8.63 | 7.75 | 9.8 | 6.4 | 1.46 | 28.5 | 17 | 3/4" F.P.T. | 18x30x1 |
| SV048 | 25 | 54.5 | 21 | 1.5 | 34.6 | 18.4 | 2.86 | 18.13 | 7.5 | 10 | 7.7 | 10.86 | 7 | 2.4 | 33 | 19 | 1" F.P.T. | 20x34.5x1 |
| SV060 | 25 | 54.5 | 21 | 1.5 | 34.6 | 18.4 | 2.86 | 18.13 | 7.5 | 10 | 7.7 | 10.86 | 7 | 2.4 | 33 | 19 | 1" F.P.T. | 20x34.5x1 |
| SV070 | 25 | 65 | 21 | 1.5 | 48.1 | 15.4 | 2.86 | 18.13 | 6.5 | 11.26 | 7 | 12 | 6 | 1.93 | 46.5 | 19 | 1" F.P.T. | 20x24x1 (2) |



NOTE: All dimensions within $\pm 0.125"$. All condensate drain connections are 3/4" FPT. Specifications subject to change without notice.