

GreenSource CDi Series SM Split AV/AH Air Handler Residential Geothermal Heat Pump

Engineering
Submittal
Sheet



BOSCH

Overview and Certifications



Compact Air Handler/Fan Coil



Standard Features, Factory Installed Options, and Field Installed Accessories

Standard Features

▶ **White Pre-Painted Sheet Metal Cabinets**

- Appliance white for a clean - durable look
- Door handles - for easy removal for service
- Indoor installation for air handler section

▶ **High Efficiency**

- Up to 29.8 EER and 5.0 COP @ PL GWHP

▶ **Closed Cell (Fiber Free) Insulation**

- Improved Indoor Air Quality

▶ **Tin Plated Copper Tubing with Aluminum Fins**

- This will protect the evaporator coil from most forms of corrosive elements in the airstream

▶ **Reliability - Durability - Serviceability**

- Easy to remove panels
- Completely serviceable from front of unit

▶ **Electronically Commutative Motor (ECM)**

- Constant CFM (Variable Speed) Fan Motor

▶ **Dehumidification**

- Lowering the humidity in your home allows you to turn up the thermostat in the summer and save on operational costs; accomplished with a Bosch connected control thermostat

▶ **Standard Warranty***

- 10 Year all parts limited warranty
- 10 Year labor limited warranty

* Complete warranty details are available on <https://www.bosch-thermotechnology-us/us/en/residential/service/product-warranty-library/>



Standard Features, Factory Installed Options, and Field Installed Accessories continued..

Factory Installed Options

▶ Internal Electric Heat

- Can be factory mounted. Choices include 5, 10, or 15 kilowatt back up or an emergency heater depending on the size of the geothermal heat pump

Field Installed Accessories

▶ Thermostats

- Bosch thermostats are fully customized to meet your individual needs. Bosch offers communicating thermostats that can display alert messages without having to go to the unit.

GreenSource CDi Series SM Split AV/AH Air Handler Residential Geothermal Heat Pumps



BOSCH

Air Handler Model Nomenclature

SM 024 - 1 AV X - X L T A T A - X H T X X X X X 7 X X X X 4 X X X X SB A
 1-2 3-5 6 7 8-9 10 11 12 13 14 15 16 17 18 19 20 21 22 23 24 25 26 27 28 29 30 31 32 33 34 35 36 37 38-39 40

MODEL:
SM

NOMINAL CAPACITY:
024
036
048
060

ELECTRICAL CONFIGURATION:
1 - 208-230/60/1

CABINET CONFIGURATION:
AH - Air Handler Horizontal
AV - Air Handler Vertical

COAX OPTIONS:
X - None

WATER CONNECTIONS:
X - None

RETURN AIR CONFIGURATION:
L - Left
R - Right

DISCHARGE AIR LOCATION:
T - Top (AV only)
S - Straight (AH only)
E - End (AH only)

FAN/MOTOR OPTION:
A - Constant Airflow ECM

AIR COIL:
T - Tin Plated

REVISION LEVEL:
A - Current
B - Current

ELECTRIC HEAT:
X - None
A - 5 kW
C - 10 kW
D - 15 kW

CABINET CONSTRUCTION:
H - Painted Steel / 1/2" Closed Cell Foam

CODE STRING LEVEL:
A - Revision

STANDARD/SPECIAL:
SB - Bosch
SS - Standard
AA - Special #1

NOT USED:
X - None

NOT USED:
X - None

NOT USED:
X - None

NOT USED:
X - None

AIR FILTRATION:
4 - MERV8 - 2" w/ 4-SIDED FILTER RACK

NOT USED:
X - None

NOT USED:
X - None

NOT USED:
X - None

CONTROLS:
X - Standard

TRANSFORMER:
7 - 75 VA

REFRIGERATION:
X - None

ELECTRICAL OPTIONS:
X - As default for non-used electrical codes

APPLICATION:
T - Standard/Extended Range (TXV)

Greensource CDi Series SM Split AV/AH Air Handler Residential Geothermal Heat Pumps



BOSCH

| ASHRAE/AHRI/ISO 13256-1 (SM CS + SM AV/AH) | | | | | | | | | | | | | | | |
|--|------------------------|------|----------------------|---------------------------------|-------|---------------------------------|------|---------------------------------|-------|---------------------------------|------|---------------------------------|-------|---------------------------------|------|
| Model (Condensing Section) | Model (Air Handler) | Load | Fluid Flow GPM | Water Loop Heat Pump | | | | Ground Water Heat Pump | | | | Ground Loop Heat Pump | | | |
| | | | | Cooling 86 deg.F | | Heating 68 deg.F | | Cooling 59 deg.F | | Heating 50 deg.F | | Cooling 77 deg.F | | Heating 32 deg.F | |
| | | | | Cooling Capacity (Btu/hr) | EER | Heating Capacity (Btu/hr) | COP | Cooling Capacity (Btu/hr) | EER | Heating Capacity (Btu/hr) | COP | Cooling Capacity (Btu/hr) | EER | Heating Capacity (Btu/hr) | COP |
| SM024-1CS | SM024-1AV/AH | Full | 6 | 23100 | 15.00 | 26400 | 5.20 | 28500 | 22.20 | 22200 | 4.50 | 26200 | 17.00 | 17700 | 3.75 |
| | | Part | 6 | 17200 | 16.50 | 19900 | 5.50 | 21600 | 28.60 | 16200 | 4.60 | 20000 | 23.80 | 13800 | 3.90 |
| SM036-1CS | SM036-1AV | Full | 9 | 36100 | 14.05 | 44100 | 4.85 | 40900 | 21.05 | 35200 | 4.40 | 37900 | 16.25 | 27400 | 3.65 |
| | SM036-1AV | Part | 9 | 27000 | 16.65 | 32000 | 5.85 | 30600 | 27.65 | 25250 | 4.80 | 29300 | 23.60 | 22400 | 4.25 |
| | SM036-1AH | Full | 9 | 36100 | 14.85 | 44100 | 5.00 | 40900 | 22.20 | 35200 | 4.50 | 37900 | 17.15 | 27400 | 3.80 |
| | SM036-1AH | Part | 9 | 27000 | 15.85 | 32000 | 6.00 | 30600 | 27.00 | 25250 | 4.95 | 29300 | 22.90 | 22400 | 4.35 |
| SM048-1CS | SM048-1AV | Full | 12 | 46900 | 14.90 | 56800 | 5.00 | 52800 | 21.25 | 46600 | 4.60 | 48900 | 16.20 | 37800 | 3.90 |
| | SM048-1AH | Part | 12 | 46900 | 14.25 | 56800 | 4.80 | 52800 | 21.15 | 46600 | 4.40 | 48900 | 16.20 | 37800 | 3.70 |
| | SM048-1AV | Full | 12 | 35600 | 18.20 | 40400 | 5.50 | 39400 | 29.80 | 34200 | 4.70 | 38400 | 24.25 | 30200 | 4.20 |
| | SM048-1AH | Part | 12 | 35600 | 16.55 | 40400 | 5.40 | 39400 | 27.85 | 34200 | 4.60 | 38400 | 23.80 | 30200 | 4.10 |
| SM060-1CS | SM060-1AV | Full | 15 | 56100 | 14.10 | 74500 | 5.00 | 64500 | 20.50 | 60500 | 4.40 | 58900 | 16.10 | 49000 | 3.80 |
| | SM060-1AH | Part | 15 | 56100 | 14.45 | 74500 | 4.80 | 64500 | 20.50 | 60500 | 4.30 | 58900 | 16.25 | 49000 | 3.65 |
| | SM060-1AV | Full | 15 | 42800 | 16.00 | 54500 | 5.70 | 49600 | 27.00 | 44200 | 4.70 | 47900 | 23.30 | 39400 | 4.20 |
| | SM060-1AH | Part | 15 | 42800 | 16.35 | 54500 | 5.60 | 49600 | 27.10 | 44200 | 4.50 | 47900 | 23.15 | 39400 | 3.95 |

| SM Split AH/AV Air Handler Physical Data | | | | | |
|--|--------------------|--------------------|--------------------|--------------------|--------------------|
| Description | Unit | SM024 | SM036 | SM048 | SM060 |
| ECM Const AirFlow -EON Fan Motor & Blower | | | | | |
| Fan Motor Type/Speeds | — | ECM Const Air Flow | ECM Const Air Flow | ECM Const Air Flow | ECM Const Air Flow |
| Fan Motor | HP | 0.33 | 0.50 | 0.75 | 1.00 |
| Blower Wheel Size | Inch (Dia. x W) | 9 X 7 | 9 X 7 | 10 X 8 | 11 X 9 |
| Vertical Cabinet (AV) | | | | | |
| Air Coil Dimensions (H x W) | Inch (H x W) | 24 X 21 | 24 X 21 | 24 X 27 | 24 X 27 |
| Nominal size of Standard Filter - 2" MERV8 | Inch (L x H) | 24 X 24 (1) | 24 X 24 (1) | 24 X 30 (1) | 24 X 30 (1) |
| Weight - Operating (lbs)* | lbs | 124 | 143 | 180 | 207 |
| Weight - Shipping (lbs)* | lbs | 152 | 175 | 220 | 253 |
| Horizontal Cabinet (AH) | | | | | |
| Air Coil Dimensions | Inch (H x W) | 18 X 28 | 18 X 28 | 20 X 32.5 | 20 X 32.5 |
| Nominal size of Standard Filter - 2" MERV8 | Inch (L x H) | 20 X 30 (1) | 20 X 30(1) | 20 X 34 1/2 (1) | 20 X 34 1/2 (1) |
| Weight - Operating (lbs)* | lbs | 124 | 143 | 180 | 207 |
| Weight - Shipping (lbs)* | lbs | 152 | 175 | 220 | 253 |

* This data reflects standard unit weights only. Additional options may cause differences in listed weights.

Greensource CDi Series SM Split AV/AH Air Handler Residential Geothermal Heat Pumps



BOSCH

Air Handler Electrical Data

| Models | Blower motor | Voltage Code | Voltage/Phase/Hz | Voltage Min/Max | Total Unit | | | | |
|--------|--------------|--------------|------------------|-----------------|------------|---------------|------------------|-----------------|---------------|
| | | | | | QTY | Motor FLA (A) | Min Circuit Amps | MOP Calculation | Max Fuse/HACR |
| SM024 | 8733805680 | 1 | 208-230/60/1 | 197/253 | 1 | 2.8 | 3.5 | 6.3 | 15 |
| SM036 | 8733805681 | 1 | 208-230/60/1 | 197/253 | 1 | 4.3 | 5.4 | 9.7 | 15 |
| SM048 | 8733805682 | 1 | 208-230/60/1 | 197/253 | 1 | 6.8 | 8.5 | 15.3 | 15 |
| SM060 | 8733805683 | 1 | 208-230/60/1 | 197/253 | 1 | 9.1 | 11.4 | 20.5 | 20 |

Air Handler with Electric Heat Option - Constant CFM Variable Speed ECM all single circuit fused

| Model | Electric Heater Rated kW | Stage | Heater Watts | | Heater Amps | | Motor FLA (A) | MCA | | MOCP | |
|-------|--------------------------|-------|--------------|-------|-------------|------|---------------|-------|------|------|------|
| | | | 240V | 208V | 240V | 208V | | 240V | 208V | 240V | 208V |
| SM024 | 4.8 | 1 | 4,800 | 3,600 | 20.0 | 17.3 | 2.8 | 28.5 | 25.1 | 30 | 30 |
| SM036 | 4.8 | 1 | 4,800 | 3,600 | 20.0 | 17.3 | 4.3 | 30.4 | 27.0 | 35 | 35 |
| SM036 | 9.6 | 1 | 9,600 | 7,200 | 40.0 | 34.6 | 4.3 | 55.4 | 48.6 | 60 | 60 |
| SM048 | 4.8 | 1 | 4,800 | 3,600 | 20.0 | 17.3 | 6.8 | 33.5 | 30.1 | 35 | 35 |
| SM048 | 9.6 | 1 | 9,600 | 7,200 | 40.0 | 34.6 | 6.8 | 58.5 | 51.8 | 60 | 60 |
| SM048 | 14.4 | 2 | 14400 | 10800 | 60 | 51.9 | 6.8 | 83.5 | 73.4 | 90 | 80 |
| SM060 | 4.8 | 1 | 4,800 | 3,600 | 20.0 | 17.3 | 9.1 | 36.4 | 33.0 | 40 | 35 |
| SM060 | 9.6 | 1 | 9,600 | 7,200 | 40.0 | 34.6 | 9.1 | 61.4 | 54.6 | 70 | 60 |
| SM060 | 14.4 | 2 | 14400 | 10800 | 60 | 51.9 | 9.1 | 86.4 | 76.3 | 90 | 80 |
| SM060 | 19.2 | 2 | 19200 | 14000 | 80 | 69.2 | 9.1 | 111.4 | 97.9 | 125 | 100 |

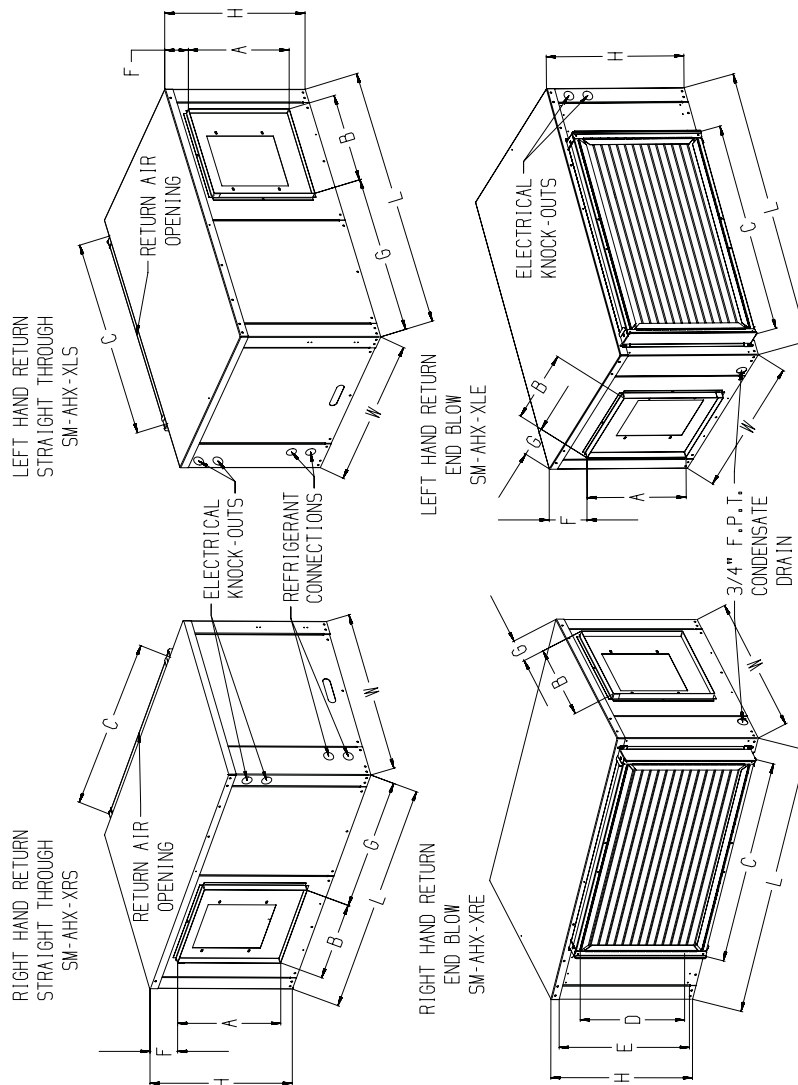
Greensource CDi Series SM Split AV/AH Air Handler Residential Geothermal Heat Pumps



BOSCH

Air Handler Horizontal Dimensions and Connections

| MODEL | L LENGTH | W WIDTH | H HEIGHT | A S/A DUCT HEIGHT | B S/A DUCT WIDTH | C R/A DUCT FLG WIDTH | D R/A DUCT FLG HEIGHT | E FILTER RACK HEIGHT | LEFT HAND RETURN END BLOW (XLE) | RIGHT HAND RETURN END BLOW (XRE) | LEFT HAND RETURN STRAIGHT THROUGH (XLS) | RIGHT HAND RETURN STRAIGHT THROUGH (XRS) | RECOMMENDED REPLACEMENT NOMINAL FILTER SIZE |
|-------|-------------|------------|-------------|-------------------------|------------------------|----------------------------|-----------------------------|-------------------------------|------------------------------------|-------------------------------------|--|---|--|
| | | | | | | | | | F | G | F | G | |
| SM024 | 33.00 | 26.00 | 21.75 | 15.75 | 13.75 | 30.00 | 16.00 | 18.00 | 1.25 | 4.13 | 1.38 | 10.63 | 20 X 30 X 2 |
| SM036 | 33.00 | 26.00 | 21.75 | 15.75 | 13.75 | 30.00 | 16.00 | 18.00 | 1.25 | 4.13 | 1.38 | 10.63 | 20 X 30 X 2 |
| SM048 | 38.50 | 30.00 | 21.75 | 15.75 | 15.75 | 33.50 | 18.50 | 20.50 | 2.63 | 4.00 | 2.63 | 11.38 | 20 X 34.5 X 2 |
| SM060 | 38.50 | 30.00 | 21.75 | 17.75 | 17.75 | 33.50 | 18.50 | 20.50 | 1.50 | 4.13 | 1.75 | 10.38 | 20 X 34.5 X 2 |



NOTES
 * ALL DIMENSIONS WITHIN 1/2" 0.125"
 * ALL DIMENSIONS ARE IN INCHES
 * SPECIFICATIONS SUBJECT TO CHANGE WITHOUT NOTICE

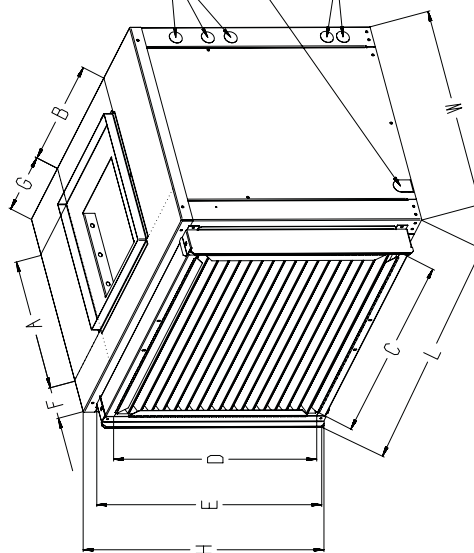
SM HZ AIR HANDLING SECTION



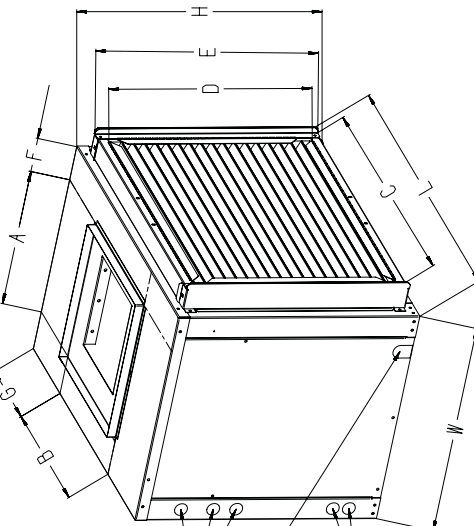
Air Handler Vertical Dimensions and Connections

| Model | L | W | H | C | D | E | A | B | G | F | F | RECOMMENDED REPLACEMENT NOMINAL FILTER SIZE |
|-------|--------|-------|--------|--------------------------|---------------------------|-----------------------|-----------------------------------|-----------------------------------|------|------|------|---|
| | LENGTH | WIDTH | HEIGHT | R/A DUCT FLANGE WIDTH | R/A DUCT FLANGE HEIGHT | FILTER RACK HEIGHT | TOP BLOW UNITS S/A DUCT COLLAR | TOP BLOW UNITS S/A DUCT COLLAR | | | | |
| SM024 | 26.00 | 21.50 | 25.75 | 22.00 | 22.25 | 24.00 | 15.75 | 13.75 | 6.13 | XLT | XRT | 24 X 24 X 2 |
| SM036 | 26.00 | 21.50 | 25.75 | 22.00 | 22.25 | 24.00 | 15.75 | 13.75 | 6.13 | 5.25 | 4.00 | 24 X 24 X 2 |
| SM048 | 32.75 | 24.00 | 25.75 | 28.50 | 22.25 | 24.00 | 15.75 | 15.75 | 8.38 | 5.50 | 3.50 | 24 X 30 X 2 |
| SM060 | 33.25 | 26.00 | 27.75 | 28.50 | 22.25 | 24.00 | 17.75 | 17.75 | 8.37 | 6.25 | 4.00 | 24 X 30 X 2 |

LEFT HAND RETURN
TOP BLOW
SM-AVX-XLT



RIGHT HAND RETURN
TOP BLOW
SM-AVX-XRT



NOTES
 * ALL DIMENSIONS WITHIN +/- 0.125"
 * ALL DIMENSIONS ARE IN INCHES
 * SPECIFICATIONS SUBJECT TO CHANGE WITHOUT NOTICE

SM VT AIR HANDLING SECTION

GreenSource CDi Series SM Split AV/AH Air Handler Residential Geothermal Heat Pumps



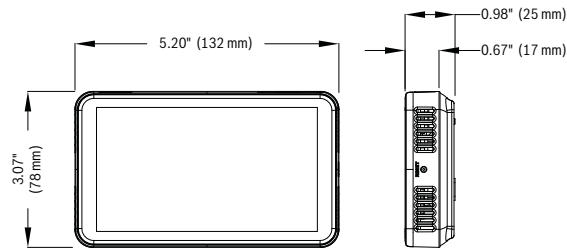
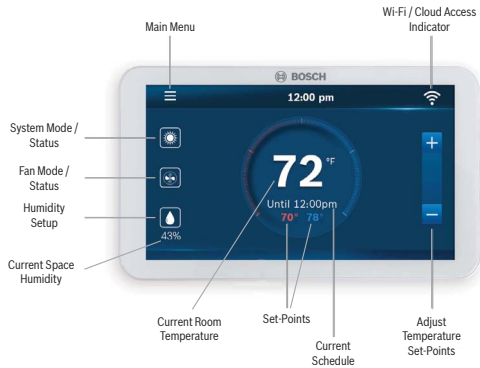
BOSCH

| Blower Performance Data - ECM Const CFM Motor - Eon | | | | | | | | | | | | | | | |
|---|-----------|---------------|--------|-----|---|------|------|------|------|------|------|------|------|------|------|
| Models | Fan Speed | Rated Airflow | Adjust | Tap | External Static Pressure (Inches of W.C.) | | | | | | | | | | |
| | | | | | 0.10 | 0.20 | 0.30 | 0.40 | 0.50 | 0.60 | 0.70 | 0.80 | 0.90 | 1.00 | |
| SM024 Part Load | Hi | 600 | + | A | 600 | 600 | 600 | 600 | 600 | 600 | 600 | 600 | 600 | - | - |
| | Med | 500 | Normal | A | 500 | 500 | 500 | 500 | 500 | 500 | 500 | 500 | 500 | - | - |
| | Low | 425 | - | A | 425 | 425 | 425 | 425 | 425 | 425 | 425 | 425 | 425 | - | - |
| SM024 Full Load | Hi | 900 | + | A | 900 | 900 | 900 | 900 | 900 | 900 | 900 | 900 | 900 | - | - |
| | Med | 750 | Normal | A | 750 | 750 | 750 | 750 | 750 | 750 | 750 | 750 | 750 | - | - |
| | Low | 650 | - | A | 650 | 650 | 650 | 650 | 650 | 650 | 650 | 650 | 650 | - | - |
| SM036 Part Load | Hi | 1200 | + | A | 1200 | 1200 | 1200 | 1200 | 1200 | 1200 | 1200 | 1200 | 1200 | 1200 | 1200 |
| | Med | 1050 | Normal | A | 1050 | 1050 | 1050 | 1050 | 1050 | 1050 | 1050 | 1050 | 1050 | 1050 | 1050 |
| | Low | 900 | - | A | 900 | 900 | 900 | 900 | 900 | 900 | 900 | 900 | 900 | 900 | 900 |
| SM036 Full Load | Hi | 1400 | + | A | 1400 | 1400 | 1400 | 1400 | 1400 | 1400 | 1400 | 1400 | 1400 | 1400 | 1400 |
| | Med | 1225 | Normal | A | 1225 | 1225 | 1225 | 1225 | 1225 | 1225 | 1225 | 1225 | 1225 | 1225 | 1225 |
| | Low | 1050 | - | A | 1050 | 1050 | 1050 | 1050 | 1050 | 1050 | 1050 | 1050 | 1050 | 1050 | 1050 |
| SM048 Part Load | Hi | 1100 | + | B | 1100 | 1100 | 1100 | 1100 | 1100 | 1100 | 1100 | 1100 | 1100 | 1100 | 1100 |
| | Med | 925 | Normal | B | 925 | 925 | 925 | 925 | 925 | 925 | 925 | 925 | 925 | 925 | 925 |
| | Low | 800 | - | B | 800 | 800 | 800 | 800 | 800 | 800 | 800 | 800 | 800 | 800 | 800 |
| SM048 Full Load | Hi | 1700 | + | B | 1700 | 1700 | 1700 | 1700 | 1700 | 1700 | 1700 | 1700 | 1700 | 1700 | 1700 |
| | Med | 1500 | Normal | B | 1500 | 1500 | 1500 | 1500 | 1500 | 1500 | 1500 | 1500 | 1500 | 1500 | 1500 |
| | Low | 1275 | - | B | 1275 | 1275 | 1275 | 1275 | 1275 | 1275 | 1275 | 1275 | 1275 | 1275 | 1275 |
| SM060 Part Load | Hi | 1725 | + | A | 1725 | 1725 | 1725 | 1725 | 1725 | 1725 | 1725 | 1725 | 1725 | 1725 | 1725 |
| | Med | 1500 | Normal | A | 1500 | 1500 | 1500 | 1500 | 1500 | 1500 | 1500 | 1500 | 1500 | 1500 | 1500 |
| | Low | 1275 | - | A | 1275 | 1275 | 1275 | 1275 | 1275 | 1275 | 1275 | 1275 | 1275 | 1275 | 1275 |
| SM060 Full Load | Hi | 2300 | + | A | 2300 | 2300 | 2300 | 2300 | 2300 | 2300 | 2300 | 2300 | 2300 | 2300 | 2300 |
| | Med | 2000 | Normal | A | 2000 | 2000 | 2000 | 2000 | 2000 | 2000 | 2000 | 2000 | 2000 | 2000 | 2000 |
| | Low | 1700 | - | A | 1700 | 1700 | 1700 | 1700 | 1700 | 1700 | 1700 | 1700 | 1700 | 1700 | 1700 |

| Factory Installed Option - Internal Electric Heat for SM AV Units | | | | |
|---|-------|-------|-------|-------|
| Kilowatt Heater - 208/230V | SM024 | SM036 | SM048 | SM060 |
| Electric Heat - 3.6/4.8 kW | ● | ● | ● | ● |
| Electric Heat - 7.8/9.6 kW | ● | ● | ● | ● |
| Electric Heat - 10.8/14.4 kW | | ● | ● | ● |
| Electric Heat - 14.4/19.2 kW | | | ● | ● |

| Factory Installed Option - Internal Electric Heat for SM AH Units | | | | |
|---|-------|-------|-------|-------|
| Kilowatt Heater - 208/230V | SM024 | SM036 | SM048 | SM060 |
| Electric Heat - 3.6/4.8 kW | ● | ● | ● | ● |
| Electric Heat - 7.8/9.6 kW | ● | ● | ● | ● |
| Electric Heat - 10.8/14.4 kW | | ● | ● | ● |
| Electric Heat - 14.4/19.2 kW | | | ● | ● |

Field Installed Accessory - Bosch Connected Control Wi-Fi Thermostat



| Description | Part Number | Heat | Cool | Humidity |
|----------------------------------|-------------|------|------|----------|
| Bosch Connected Control (BCC100) | 8733948 009 | 4 | 2 | Yes |

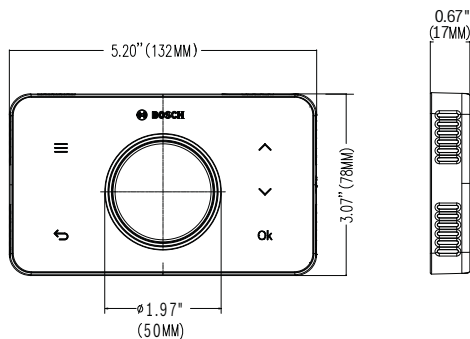
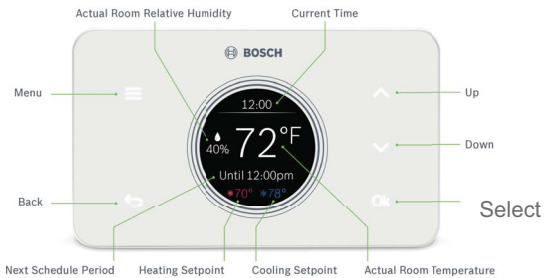
Specifications

- 5 Inch Touch Screen 854 x 480 Pixels
- 7 Relay Outputs (Terminals) G, Y1, Y2, W1, W2, O/B, H/dH
- 1 Data Input (Pulse signals from Bosch WSHP)
- Displays Bosch Water Source Heat Pump Fault Messages
- Wi-Fi (802.11a/b/g/n) 2.4GHz (not compatible with 5GHz)
- FCC and IC Certification
- 5 Year Limited Warranty (see <https://www.bosch-thermotechnology.us/us/en/residential/service/product-warranty-library/> for details)

Compatibility

- Conventional (Gas, Oil, Electric): Up to 2 Heat / 2 Cool
- Heat Pump (O/B to energize reversing valve in cool/heat): Up to 4 Heat / 2 Cool
- Supports up to 1 Accessory Unit: Humidifier or Dehumidifier (not provided by Bosch)
- Unit Modes: Heat, Cool, Auto, Off, Emergency Heat
- Fan Modes: Auto, On, Circulate
- Supports 2 Transformer Systems (Rh and Rc)
- C-Wire Required for Installation
- Supports Active and Passive Dehumidification without the need for external relays, such as Bosch Water Source Heat Pump products equipped with a Hot Gas Reheat Coil and/or ECM motor
- Supports dual fuel applications

Field Installed Accessory - Bosch Connected Control Wi-Fi Thermostat



| Description | Part Number | Heat | Cool | Humidity |
|---------------------------------|-------------|------|------|----------|
| Bosch Connected Control (BCC50) | 8733952994 | 3 | 2 | Yes |

Specifications

- 2.8 Inch Touch Screen 240 x 320 Pixels
- 5 Back-lit Touch Buttons
- 6 Relay Terminals: G, Y1, Y2, W/E/AUX, O/B/W2, H/DH
- Wi-Fi (802.11b/g/n) 2.4GHz
- FCC and IC Certification
- 3 Year Limited Warranty (see <https://www.bosch-thermotechnology.us/us/en/residential/service/product-warranty-library/> for details)

Compatibility

- Conventional (Gas, Oil, Electric): Up to 2 Heat / 2 Cool
- Heat Pump (O/B/W2 to energize reversing valve in cool/heat): Up to 3 Heat / 2 Cool
- Supports up to 1 Accessory Unit: Humidifier or Dehumidifier (not provided by Bosch)
- Unit Modes: Heat, Cool, Auto, Em Heat (Heat Pump & Dual Fuel only), Off
- Fan Modes: Auto, On, Circulate
- Supports 2 Transformer Systems (Rh and Rc)
- C-Wire Required for Installation
- Supports Active and Passive Dehumidification without the need for external relays, such as Bosch Water Source Heat Pump products equipped with a Hot Gas Reheat Coil and/or ECM motor