

LM Model Series Commercial Water Source Heat Pumps

Engineering
Submittal
Sheet



BOSCH

Overview and Certifications



- ▶ 2 to 6 ton capacities
- ▶ Two Stage High Efficiency
- ▶ Standard passive dehumidification
- ▶ Standard ECM EON constant airflow (Variable Speed) blower motors on all sizes

Commercial WSHP Product Portfolio

Product		Water-to-Air							Water-to-Water		
		LM	ES	EP	LV	LM Splits	CA	EC	MC	WT	WW
Price		\$\$\$	\$	\$+	\$	\$\$\$	\$	\$	\$	\$	\$
Model Sizes <6 Ton	007			X	X						
	009			X	X		X				
	012			X	X		X				
	015			X	X		X				
	018			X	X		X				
	024	X		X	X	X					
	025		X							X	
	030	X		X	X					X	
	035		X							X	
	036	X		X	X	X					
	041				X						
	042			X	X						
	048	X		X	X	X					
	049		X							X	
	060	X		X	X	X				X	
061		X							X		
070	X		X	X					X		
071		X							X		
Model Sizes >6 Ton	072							X			
	096							X			
	120							X			X
	122										X
	150							X			
	151							X			
	180							X			X
	181							X			
	210							X			X
	240							X			X
	300							X			
	360							X	X		X
420										X	
480								X			
600								X			
720								X			
Capacities (WLHP)	EER	14.8 - 20.8	13.2 - 17.5	14.2 - 17.5	12.2 - 14.9	14.1 - 18.2	12.2 - 12.7	13.0 - 16.0	18.6 - 19.0	12.6 - 14.7	12.3 - 13.8
	COP	4.9 - 6.5	3.8 - 5.4	5.0 - 5.8	4.3 - 5.1	4.9 - 6.0	4.3 - 4.6	4.2 - 5.6	5.4 - 5.5	4.2 - 4.7	4.2 - 4.6

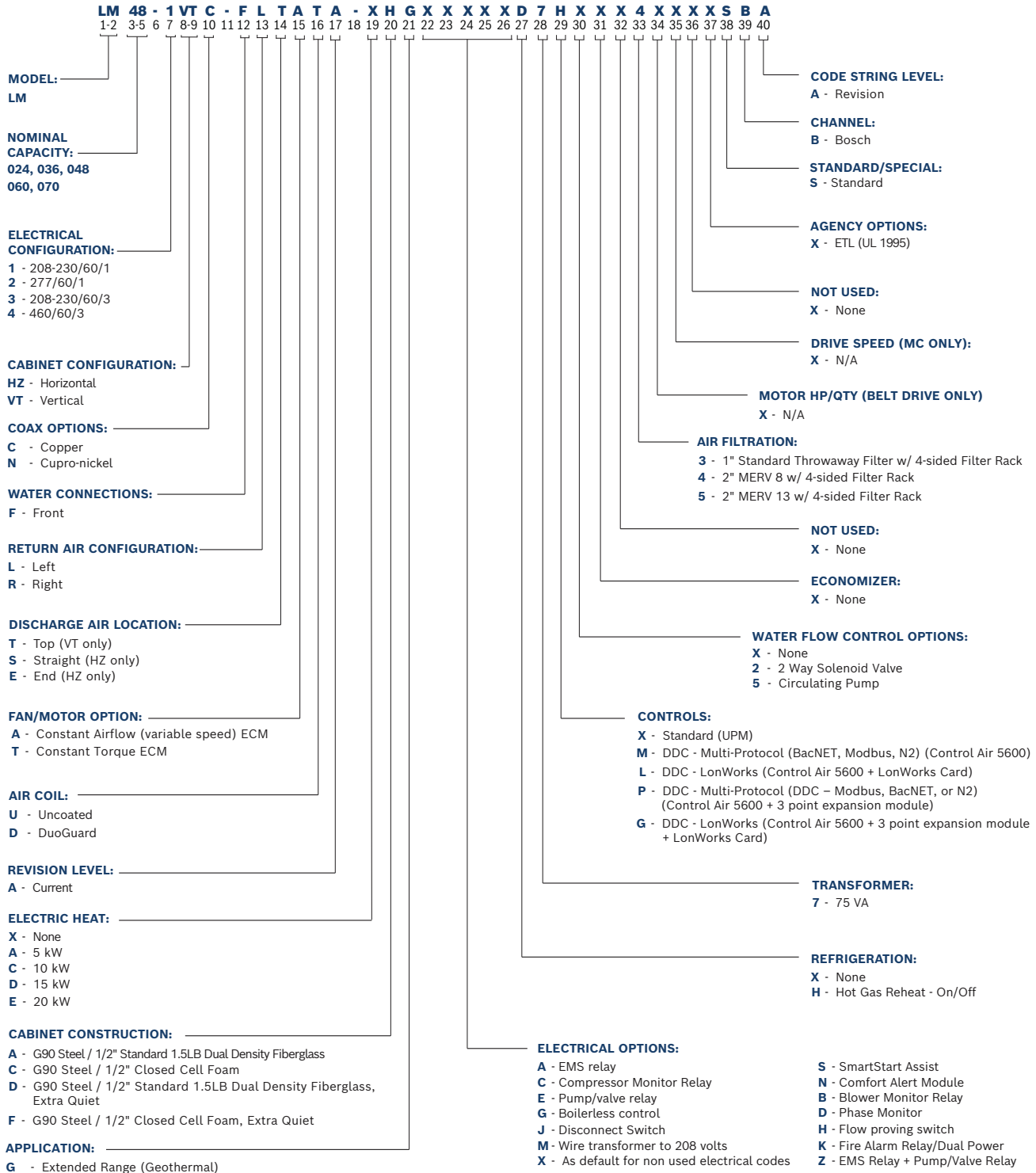
Featured model

Bosch Thermotechnology Corp.
Londonderry, NH • Watertown, MA • Ft. Lauderdale, FL

LM Model Series - Commercial Water Source Heat Pumps



Model Nomenclature

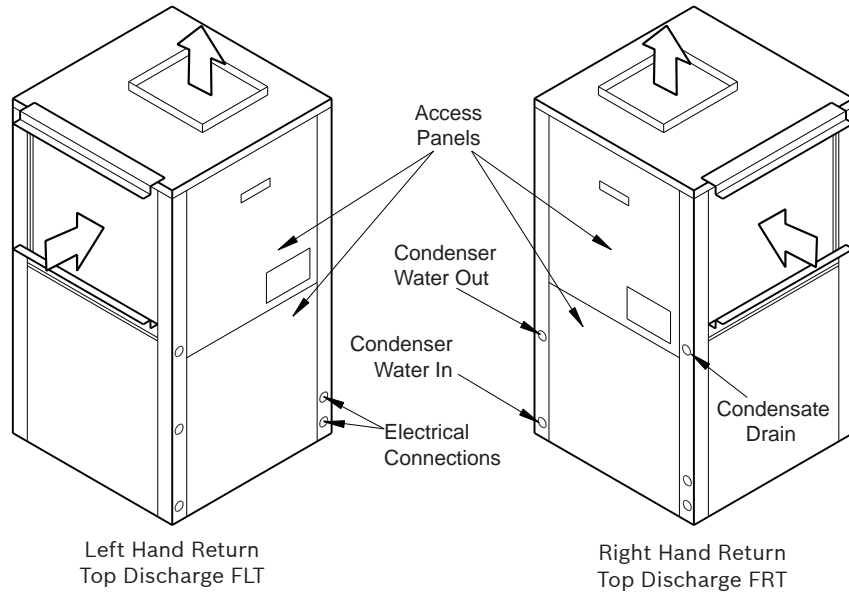


LM Model Series -
Commercial Water Source Heat Pumps

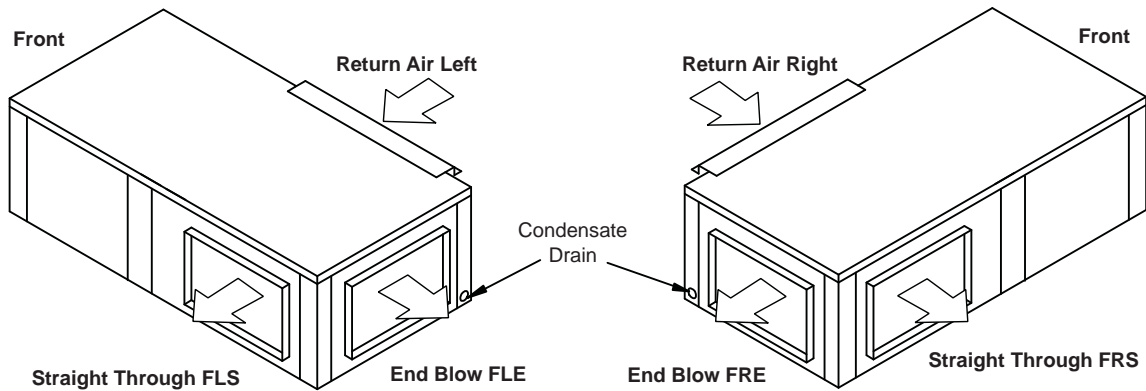


ASHRAE/AHRI/ISO 13256-1															
Model	Load	Water Loop Heat Pump				Ground Water Heat Pump				Ground Loop Heat Pump				Fluid Flow GPM	Rated Air Flow (CFM)
		Cooling 86 deg.F		Heating 68 deg.F		Cooling 59 deg.F		Heating 50 deg.F		Cooling 77 deg.F		Heating 32 deg.F			
		Cooling Capacity (Btu/hr)	EER	Heating Capacity (Btu/hr)	COP	Cooling Capacity (Btu/hr)	EER	Heating Capacity (Btu/hr)	COP	Cooling Capacity (Btu/hr)	EER	Heating Capacity (Btu/hr)	COP		
24	Full	18500	18.90	21200	6.50	21700	30.35	16700	5.10	21000	28.10	14400	4.15	6	800
	Part	25500	17.40	29200	5.60	29000	26.50	23500	4.90	26600	19.90	18000	3.78	6	950
36	Full	29000	20.80	31000	5.60	32600	34.85	25200	4.65	31900	29.20	22400	4.10	9	1100
	Part	39000	18.20	42800	5.10	43300	26.75	35900	4.60	40800	20.70	28400	3.95	9	1300
48	Full	36700	17.95	40900	5.70	42000	32.20	33700	4.80	39900	26.80	29800	4.40	12	1400
	Part	49200	15.70	56100	5.05	55300	25.20	46300	4.55	51300	19.30	36900	3.90	12	1600
60	Full	47500	18.70	53600	5.80	53300	31.20	44300	4.80	51600	26.50	37200	4.11	15	1800
	Part	63800	16.05	73300	4.90	70200	24.40	60300	4.60	65100	18.90	45500	3.90	15	2000
70	Full	55200	16.70	64900	5.40	60800	27.90	52900	4.70	60300	23.40	46900	4.30	18	1900
	Part	71600	14.80	84000	4.95	78700	21.15	70000	4.50	73700	16.85	55300	3.80	18	2400

Vertical Unit Configurations



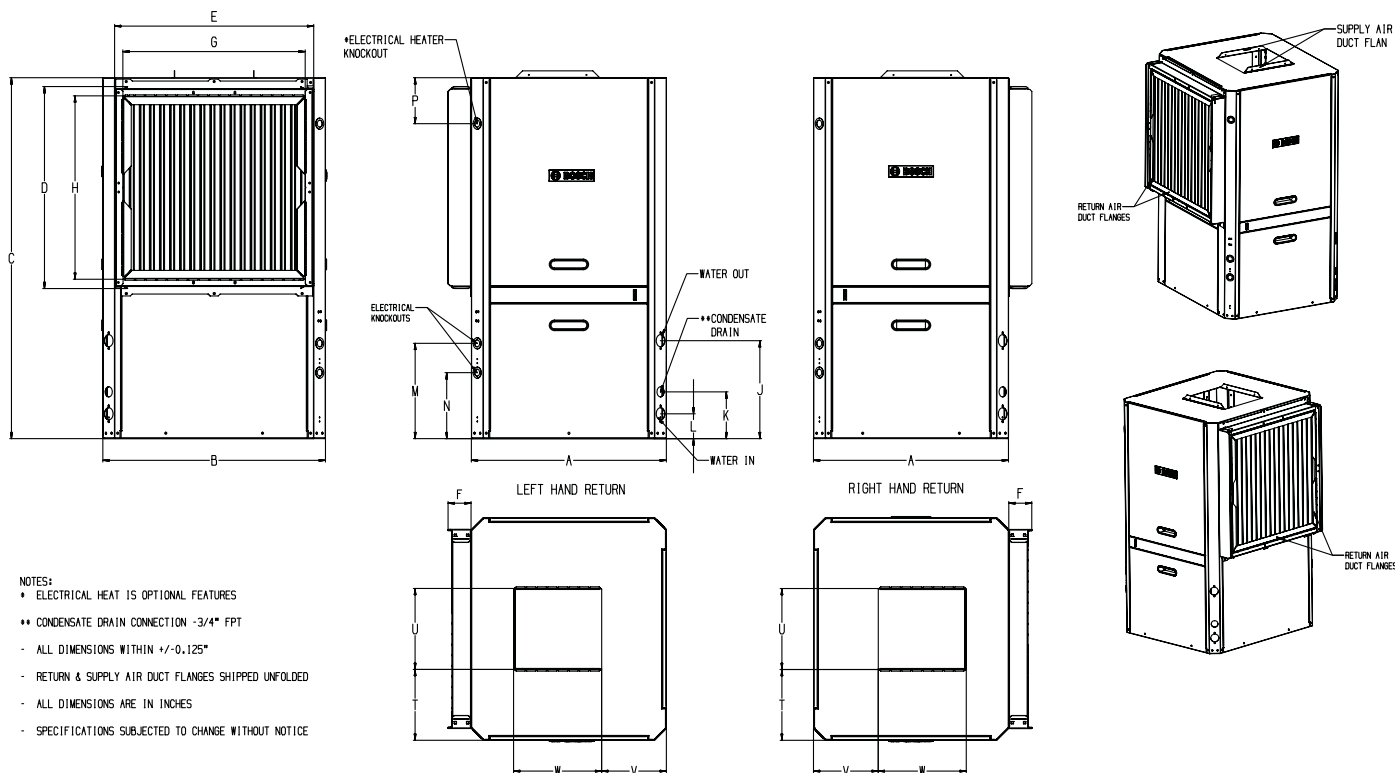
Horizontal Unit Configurations



LM Model Series - Commercial Water Source Heat Pumps



LM Vertical Unit Dimensions and Connections

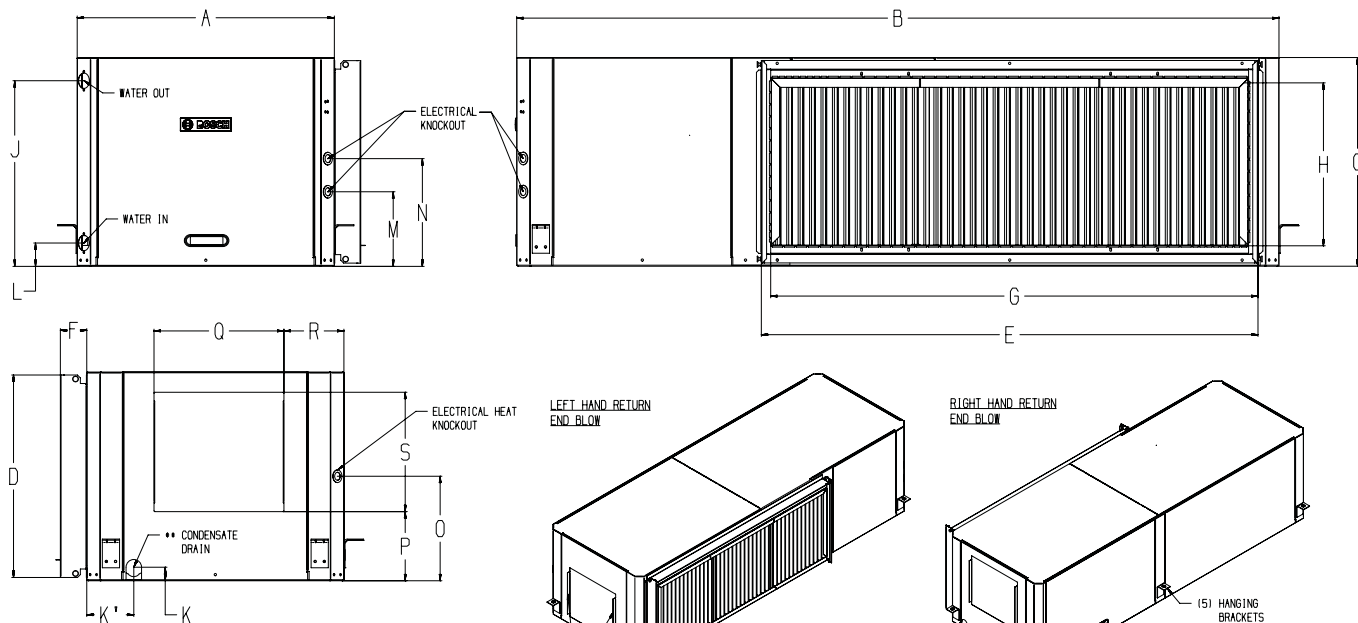


LM Vertical Unit Dimensions

Model	A	B	C	D	E	F	G	H	J	K	L	M	N	P	T				U				V				W				Water Connections	Replacement Nominal Filter Size
	Width	Depth	Height	Filter Rack			Return Air Duct		Water Out	Drain Port	Water In	Electrical Knockout	Heater Knockout	Supply Air Duct Opening																		
				Height	Width	Depth	Width	Height						LH	RH	LH	RH	LH	RH	LH	RH	LH	RH									
LM024-VT	24	27.4	44.4	24.9	24.5	3.3	22.3	22.4	12.1	5.8	3.1	11.7	8.1	5.7	8.7	8.7	10	10	1.9	8	10.8	10.8	3/4" FPT	24x24x2 (1)								
LM036-VT	25.8	33.4	52.4	32.9	30.5	3.3	28.4	30.6	14.9	5.8	3.1	11.7	8.1	5.7	10.8	10.8	11.7	11.7	1.9	8.9	13	13	1" FPT	16x30x2 (2)								
LM048-VT	25.8	33.4	52.4	32.9	30.5	3.3	28.4	30.6	14.9	5.8	3.1	11.7	8.1	5.7	10.8	10.8	11.7	11.7	1.9	8.9	13	13	1" FPT	16x30x2 (2)								
LM060-VT	27	33.4	61.8	41	30.5	3.3	28.4	38.7	14.9	5.8	3.1	11.7	8.1	5.7	9.6	9.6	14.1	14.1	1.9	8.9	13	13	1" FPT	20x30x2 (2)								
LM070-VT	27	33.4	61.8	41	30.5	3.3	28.4	38.7	14.9	5.8	3.1	11.7	8.1	5.7	9.6	9.6	14.1	14.1	1.9	8.9	13	13	1" FPT	20x30x2 (2)								

All dimensions within +/- 0.125". All condensate drain connections are 3/4" FPT. Specifications subject to change without notice. 1" filter rack extends 1.23" beyond the side of the unit. 2" filter rack extends 2.89" beyond the side of the unit. The 2" filter rack is 4 sided with a filter access door on one end and can accept either a 1" or 2" filter.

LM Horizontal Unit - End Blow Dimensions and Connections



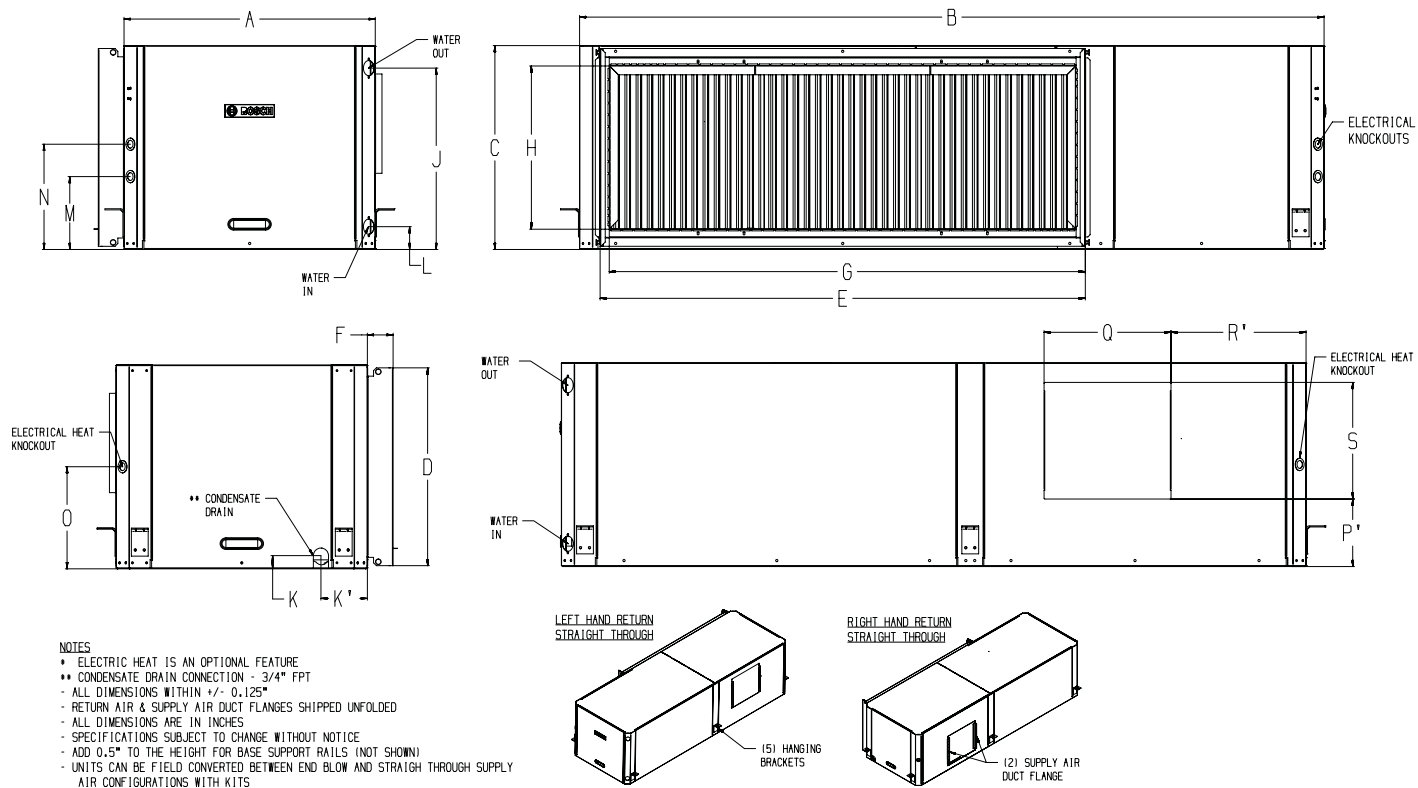
- * ELECTRIC HEAT IS AN OPTIONAL FEATURE
- ** CONDENSATE DRAIN CONNECTION - 3/4" FPT
- ALL DIMENSIONS WITHIN +/- 0.125"
- RETURN AIR & SUPPLY AIR DUCT FLANGES SHIPPED UNFOLDED
- ALL DIMENSIONS ARE IN INCHES
- SPECIFICATIONS SUBJECT TO CHANGE WITHOUT NOTICE
- ADD 0.5" TO THE HEIGHT FOR BASE SUPPORT RAILS (NOT SHOWN)
- UNITS CAN BE FIELD CONVERTED BETWEEN END BLOW AND STRAIGHT THROUGH SUPPLY AIR CONFIGURATIONS WITH KITS

LM Horizontal Unit - End Blow Dimensions and Connections

Model	A	B	C	D			E		F	G	H	J	K	K'	L	M	N	P	P (RH)	P' (LH)	Q	R (RH)	R' (LH)	S	Water Connections	Replacement Nominal Filter Size
	Width	Depth	Height	Filter Rack			Return Air Duct		Water Out	Drain Port	Water In	Electrical Knockout	Heater Knockout	Supply Air Duct Opening												
				Height	Width	Depth	Width	Height						Supply Air Duct Opening	Supply Air Duct Opening	Supply Air Duct Opening	Supply Air Duct Opening	Supply Air Duct Opening	Supply Air Duct Opening							
LM024-HZ	25.1	64.1	19.7	19.5	36.1	3.4	34	16.2	17.2	1.3	5.1	2.5	8.1	11.7	9.9	6.5	2	10	7.5	7.5	10.8	3/4" FPT	18x18x1 (2)			
LM036-HZ	28	76	22.7	22.1	48.1	3.4	46	18.2	20.2	1.3	5.1	2.5	8.1	11.7	11.4	7.5	2	11.7	9	7.7	13	1" FPT	20x24x1 (2)			
LM048-HZ	28	76	22.7	22.1	48.1	3.4	46	18.2	20.2	1.3	5.1	2.5	8.1	11.7	11.4	7.5	2	11.7	9	7.7	13	1" FPT	20x24x1 (2)			
LM060-HZ	28	83	22.7	22.1	54.1	3.4	52	18.3	20.2	1.3	5.1	2.5	8.1	11.7	11.4	7.5	2	14.2	6.5	6.5	13	1" FPT	18x20x1 (3)			
LM070-HZ	28	83	22.7	22.1	54.1	3.4	52	18.3	20.2	1.3	5.1	2.5	8.1	11.7	11.4	7.5	2	14.2	6.5	6.5	13	1" FPT	18x20x1 (3)			

All dimensions within +/- 0.125". All condensate drain connections are 3/4" FPT. Specifications subject to change without notice. 1" filter rack extends 1.23" beyond the side of the unit. 2" filter rack extends 2.89" beyond the side of the unit. The 2" filter rack is 4 sided with a filter access door on one end and can accept either a 1" or 2" filter.

LM Horizontal Unit - Straight Through Dimensions and Connections



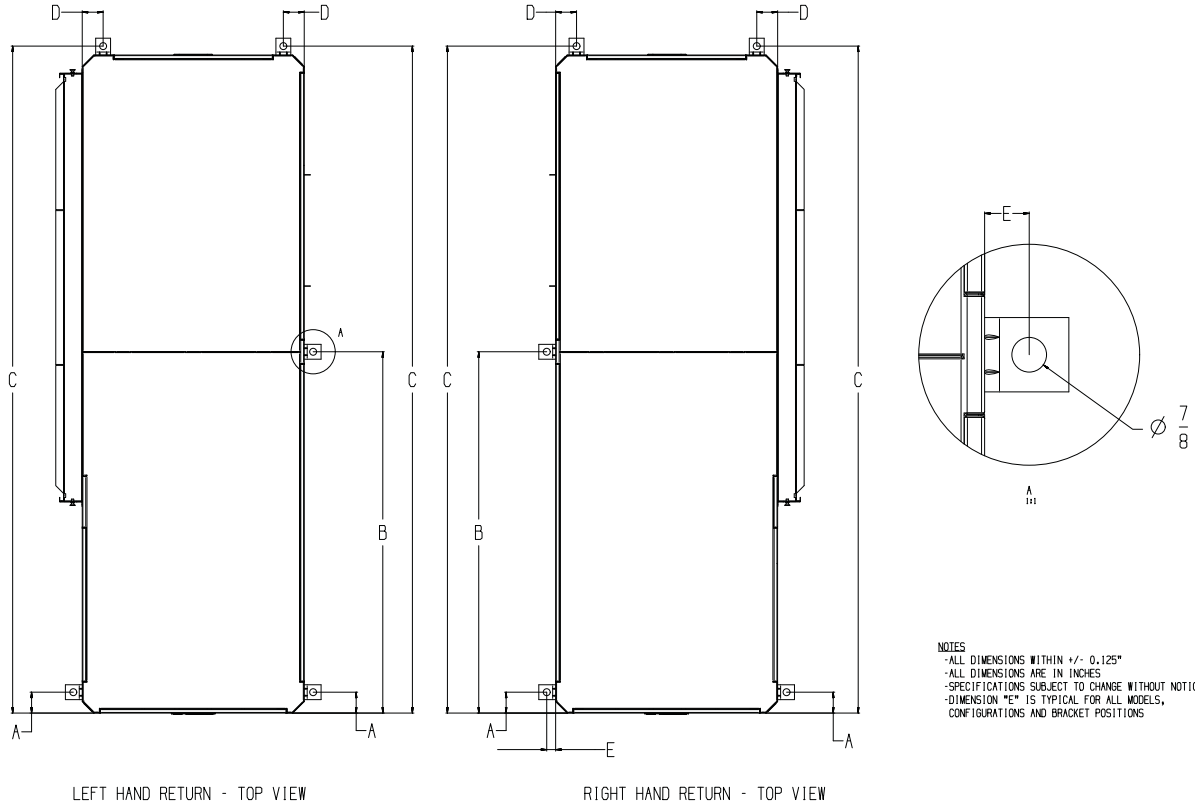
LM Horizontal Unit - Straight Through Dimensions and Connections

Model	A	B	C	D			E		F	G	H	J	K	K'	L	M	N	P	P (RH)	P' (LH)	Q	R (RH)	R' (LH)	S	Water Connections	Replacement Nominal Filter Size
	Width	Depth	Height	Filter Rack			Return Air Duct		Water Out	Drain Port	Water In	Electrical Knockout	Heater Knockout	Supply Air Duct Opening												
				Height	Width	Depth	Width	Height																		
LM024-HZ	25.1	64.1	19.7	19.5	36.1	3.4	34	16.2	17.2	1.3	5.1	2.5	8.1	11.7	9.9	6.5	2	10	7.5	7.5	10.8	3/4" FPT	18x18x1 (2)			
LM036-HZ	28	76	22.7	22.1	48.1	3.4	46	18.2	20.2	1.3	5.1	2.5	8.1	11.7	11.4	7.5	2	11.7	9	7.7	13	1" FPT	20x24x1 (2)			
LM048-HZ	28	76	22.7	22.1	48.1	3.4	46	18.2	20.2	1.3	5.1	2.5	8.1	11.7	11.4	7.5	2	11.7	9	7.7	13	1" FPT	20x24x1 (2)			
LM060-HZ	28	83	22.7	22.1	54.1	3.4	52	18.3	20.2	1.3	5.1	2.5	8.1	11.7	11.4	7.5	2	14.2	6.5	6.5	13	1" FPT	18x20x1 (3)			
LM070-HZ	28	83	22.7	22.1	54.1	3.4	52	18.3	20.2	1.3	5.1	2.5	8.1	11.7	11.4	7.5	2	14.2	6.5	6.5	13	1" FPT	18x20x1 (3)			

All dimensions within +/- 0.125". All condensate drain connections are 3/4" FPT. Specifications subject to change without notice. 1" filter rack extends 1.23" beyond the side of the unit. 2" filter rack extends 2.89" beyond the side of the unit. The 2" filter rack is 4 sided with a filter access door on one end and can accept either a 1" or 2" filter.

LM Hanging Bracket Dimensions and Connections

HANGING BRACKET LOCATION SPECIFICATIONS



LM Hanging Bracket Dimensions and Connections

Model	A	B	C	D	E
LM024-HZ	2.634	32.817	65.225	2.634	1.125
LM036-HZ	2.634	33.972	77.125	2.634	1.125
LM048-HZ	2.634	33.972	77.125	2.634	1.125
LM060-HZ	2.634	45.573	84.125	2.634	1.125
LM070-HZ	2.634	45.573	84.125	2.634	1.125

All dimensions within +/- 0.125". All condensate drain connections are 3/4" FPT. Specifications subject to change without notice. 1" filter rack extends 1.23" beyond the side of the unit. 2" filter rack extends 2.89" beyond the side of the unit. The 2" filter rack is 4 sided with a filter access door on one end and can accept either a 1" or 2" filter.



Operating Limits – Heating and Cooling	
Heating	Extended Range
Minimum ambient air temperature °F	40
Maximum ambient air temperature °F	85
Minimum evaporator entering air db/wb °F	50
Rated air coil entering air db/wb °F	68
Maximum evaporator entering air db/wb °F	80
Normal water coil entering fluid range °F	25-80*
Minimum water coil entering fluid °F	20*
Cooling	Extended Range
Minimum ambient air temperature °F	50
Maximum ambient air temperature °F	100
Minimum evaporator entering air db/wb °F	68/57
Rated air coil entering air db/wb °F	80/67
Maximum evaporator entering air db/wb °F	95/85
Minimum water coil entering fluid temperature °F	50
Water loop typical coil entering fluid range temperature °F	70/90
Maximum water coil entering fluid temperature °F	110

* Antifreeze solution is required at these fluid temperatures.

Antifreeze Correction							
Antifreeze Type	Antifreeze Volume %	Cooling			Heating		WPD Correction Factor EWT 30 °F
		EWT 90 Deg.F			EWT 30 Deg. F		
		Total Cap.	Sens. Cap	Power	Htg. Cap	Power	
Water	0	1.000	1.000	1.000	1.000	1.000	1.000
Propylene Glycol	5	0.997	0.997	1.004	0.989	0.997	1.060
	10	0.994	0.994	1.006	0.986	0.995	1.125
	15	0.990	0.990	1.009	0.978	0.988	1.190
	25	0.983	0.983	1.016	0.960	0.979	1.300
Methanol	5	0.997	0.997	1.003	0.990	0.997	1.060
	10	0.996	0.996	1.005	0.979	0.993	1.100
	15	0.994	0.994	1.008	0.970	0.990	1.140
Ethanol	5	0.998	0.998	1.002	0.981	0.994	1.160
	10	0.996	0.996	1.004	0.960	0.988	1.230
	15	0.992	0.992	1.006	0.944	0.983	1.280
	25	0.986	0.986	1.009	0.917	0.974	1.400
Ethylene Glycol	5	0.997	0.997	1.003	0.993	0.998	1.060
	10	0.995	0.995	1.004	0.986	0.996	1.120
	15	0.992	0.992	1.005	0.980	0.993	1.190
	25	0.988	0.988	1.009	0.970	0.990	1.330
	30	0.985	0.985	1.012	0.965	0.987	1.400

LM Model Series - Commercial Water Source Heat Pumps



BOSCH

Waterside Pressure Drop			
Model	Water Flow Rate (GPM)	Water Side Pressure Drop without Internal Valve (PSI)	Water Side Pressure Drop with Internal Valve (PSI)"
LM024	3.0	1.7	2.0
	4.0	2.8	3.4
	6.0	5.8	7.2
LM036	4.5	1.6	2.4
	6.0	2.6	4.0
	9.0	5.4	8.6
LM048	6.0	0.8	1.4
	8.0	1.4	2.5
	12.0	2.8	5.4
LM060	7.5	1.4	2.4
	10.0	2.3	4.1
	15.0	4.8	8.8
LM070	9.0	2.0	3.4
	12.0	3.4	5.9
	18.0	7.0	12.7

* All values based on pure water at 70° F.

LM Model Series - Commercial Water Source Heat Pumps



Capacity Data LM024 Full Load (930 CFM)																
Cooling									Heating							
Entering Water Temp (°F)	Water flow (GPM)	Pressure Drop PSI (FOH)	Entering Air Temp DB/WB (°F)	Total Capacity (MBTUH)	Sensible Capacity (MBTUH)	Heat of Rejection (MBTUH)	Power (kW)	EER	Entering Fluid Temp (°F)	Pressure Drop PSI (FOH)	Entering Air Temp (°F)	Total Capacity (MBTUH)	Heat of Absorption (MBTUH)	Power Input (kW)	COP	
50	3	0.7	75/63	26.4	21.6	31.2	1.4	19.0	30	0.7	60	17.7	14.0	1.4	3.71	
			80/67	28.1	22.2	32.9	1.4	19.8			70	17.5	12.7	1.5	3.35	
			85/71	29.7	22.9	34.7	1.4	20.6			80	17.4	12.2	1.7	3.02	
	4.5	1.2	75/63	27.5	21.9	31.9	1.3	21.2			60	18.9	14.5	1.4	3.91	
			80/67	29.2	22.6	33.7	1.3	22.1			70	18.5	13.8	1.6	3.49	
			85/71	30.9	23.2	35.6	1.3	23.2			80	18.2	13.0	1.7	3.14	
	6	2.4	75/63	28.0	22.2	32.3	1.2	22.4			60	19.4	15.2	1.4	3.99	
			80/67	29.7	22.8	34.1	1.3	23.5			70	19.0	14.3	1.6	3.57	
			85/71	31.6	23.6	36.0	1.3	24.8			80	18.7	13.4	1.7	3.21	
60	3	0.7	75/63	25.3	21.0	30.4	1.5	16.7	40	0.7	60	20.1	16.4	1.4	4.09	
			80/67	26.8	21.7	32.0	1.5	17.4			70	19.7	15.2	1.6	3.66	
			85/71	28.4	22.5	33.7	1.6	18.2			80	19.6	14.2	1.7	3.32	
	4.5	1.2	75/63	26.2	21.4	31.0	1.4	18.5			60	21.5	17.5	1.5	4.31	
			80/67	27.8	22.1	32.8	1.4	19.4			70	20.9	15.9	1.6	3.84	
			85/71	29.6	22.7	34.6	1.5	20.3			80	20.3	15.1	1.7	3.41	
	6	2.4	75/63	26.7	21.6	31.4	1.4	19.5			60	21.4	16.9	1.5	4.29	
			80/67	28.4	22.4	33.1	1.4	20.5			70	21.5	16.6	1.6	3.92	
			85/71	30.2	22.9	35.0	1.4	21.6			80	21.1	15.8	1.8	3.51	
70	3	0.7	75/63	24.0	20.7	29.6	1.6	14.6	50	0.7	60	22.6	18.5	1.5	4.46	
			80/67	25.5	21.2	31.2	1.7	15.3			70	21.8	16.9	1.6	3.95	
			85/71	27.0	22.0	32.8	1.7	16.0			80	21.3	15.9	1.8	3.54	
	4.5	1.2	75/63	24.9	21.0	30.2	1.5	16.1			60	24.0	20.1	1.5	4.65	
			80/67	26.5	21.7	31.8	1.6	17.0			70	23.0	18.3	1.6	4.11	
			85/71	28.2	22.2	33.6	1.6	17.8			80	22.5	16.7	1.8	3.69	
	6	2.3	75/63	25.4	21.2	30.5	1.5	17.0			60	24.8	20.5	1.5	4.77	
			80/67	27.1	21.8	32.2	1.5	17.9			70	23.7	18.6	1.7	4.21	
			85/71	28.8	22.5	34.0	1.5	18.9			80	23.9	18.4	1.8	3.86	
80	3	0.7	75/63	22.8	20.0	28.8	1.8	12.8	60	0.7	60	24.9	20.4	1.5	4.77	
			80/67	24.2	20.7	30.3	1.8	13.4			70	24.5	19.2	1.7	4.3	
			85/71	25.7	21.3	31.9	1.8	14.0			80	24.4	19.0	1.8	3.91	
	4.5	1.2	75/63	23.7	20.4	29.3	1.7	14.1			60	26.7	21.9	1.6	5.03	
			80/67	25.2	21.2	30.9	1.7	14.8			70	26.4	21.4	1.7	4.54	
			85/71	26.8	21.8	32.6	1.7	15.6			80	25.2	19.7	1.8	4.01	
	6	2.3	75/63	24.1	20.7	29.6	1.6	14.7			60	27.7	22.4	1.6	5.16	
			80/67	25.7	21.3	31.3	1.7	15.6			70	26.9	22.3	1.7	4.59	
			85/71	27.3	22.1	33.0	1.7	16.4			80	26.7	21.3	1.9	4.19	
90	3	0.7	75/63	21.6	19.5	28.1	2.0	11.0	70	0.7	60	27.8	22.8	1.6	5.16	
			80/67	22.9	20.2	29.5	2.0	11.6			70	28.0	22.9	1.7	4.76	
			85/71	24.3	21.1	31.0	2.0	12.2			80	27.1	21.6	1.9	4.24	
	4.5	1.2	75/63	22.3	20.0	28.5	1.8	12.1			60	30.2	25.7	1.6	5.48	
			80/67	23.8	20.7	30.1	1.9	12.8			70	29.0	23.6	1.7	4.87	
			85/71	25.3	21.3	31.7	1.9	13.5			80	28.8	22.7	1.9	4.44	
	6	2.2	75/63	22.8	20.0	28.8	1.8	12.7			60	30.7	25.8	1.6	5.52	
			80/67	24.3	20.9	30.3	1.8	13.5			70	30.4	25.3	1.8	5.05	
			85/71	25.8	21.6	32.0	1.8	14.2			80	29.7	24.8	1.9	4.54	
100	3	0.6	75/63	20.3	19.1	27.4	2.1	9.5	80	0.7	60	31.3	26.8	1.6	5.61	
			80/67	21.6	19.9	28.8	2.2	10.0			70	30.0	24.8	1.8	4.99	
			85/71	23.0	20.5	30.3	2.2	10.5			80	30.0	24.2	1.9	4.59	
	4.5	1.2	75/63	21.0	19.4	27.8	2.0	10.4			60	33.1	27.8	1.7	5.84	
			80/67	22.5	20.1	29.3	2.0	11.0			70	32.7	26.8	1.8	5.33	
			85/71	24.0	20.8	30.8	2.1	11.7			80	31.9	26.4	2.0	4.78	
	6	2.1	75/63	21.4	19.5	28.0	2.0	10.9			60	34.1	29.6	1.7	5.94	
			80/67	22.9	20.2	29.5	2.0	11.6			70	33.9	29.0	1.8	5.45	
			85/71	24.4	20.9	31.1	2.0	12.3			80	32.5	26.8	2.0	4.85	
110	3	0.6	75/63	19.0	18.7	26.9	2.4	8.1	Extended Range - Anti-freeze required	0.7	60	31.3	26.8	1.6	5.61	
			80/67	20.3	19.3	28.2	2.4	8.5			70	30.0	24.8	1.8	4.99	
			85/71	21.6	20.0	29.6	2.4	9.0			80	30.0	24.2	1.9	4.59	
	4.5	1.2	75/63	19.7	18.9	27.1	2.2	8.8			60	33.1	27.8	1.7	5.84	
			80/67	21.1	19.7	28.6	2.2	9.4			70	32.7	26.8	1.8	5.33	
			85/71	22.5	20.5	30.1	2.3	10.0			80	31.9	26.4	2.0	4.78	
	6	2.1	75/63	20.1	19.1	27.3	2.2	9.2			60	34.1	29.6	1.7	5.94	
			80/67	21.5	19.8	28.8	2.2	9.8			70	33.9	29.0	1.8	5.45	
			85/71	22.9	20.6	30.3	2.2	10.5			80	32.5	26.8	2.0	4.85	

Extended Range - Anti-freeze required
 AHR/ISO13256-1 certified performance is rated at entering air conditions of 80.6°F DB and 66.2°F WB in cooling and 68°F DB in heating.
 Tabulated unit performance does not include fan or pump power corrections required for AHR/ISO standard performance ratings.
 Unit performance may be interpolated. Extrapolation is not allowed.
 For conditions other than rating conditions provided, consult the BST selection software.
 Ratings below 40°F are with a methanol solution.

DISCLAIMER: The performance reported herein is based on testing by FHP. Variations in the installation and operational environment may alter performance. Bosch disclaims all warranties, express and implied, that the performance will be as reported, including the warranty of merchantability and fitness for purpose. In addition, continuous research and development may result in a change to an appliances design and specifications at the time of order, which Bosch may change without notice. Before purchase, confirm the design specifications of the appliance.

LM Model Series - Commercial Water Source Heat Pumps



Capacity Data LM024 Part Load (750 CFM)																						
Cooling									Heating													
Entering Water Temp (°F)	Water flow (GPM)	Pressure Drop PSI (FOH)	Entering Air Temp DB/WB (°F)	Total Capacity (MBTUH)	Sensible Capacity (MBTUH)	Heat of Rejection (MBTUH)	Power (kW)	EER	Entering Fluid Temp (°F)	Pressure Drop PSI (FOH)	Entering Air Temp (°F)	Total Capacity (MBTUH)	Heat of Absorption (MBTUH)	Power Input (kW)	COP							
50	3	0.7	75/63	20.6	17.1	23.7	0.9	23.1	30	0.7	60	13.3	10.3	1.0	3.75							
			80/67	22.0	17.7	25.0	0.9	24.8				70	12.9	9.6	1.2	3.25						
			85/71	23.3	18.2	26.4	0.9	26.5				80	12.5	8.8	1.3	2.84						
	4.5	1.2	75/63	21.3	17.4	24.2	0.8	25.3				30	1.2	60	13.9	10.8	1.0	3.9				
			80/67	22.7	17.9	25.6	0.8	27.3							70	13.4	10.1	1.2	3.38			
			85/71	24.1	18.4	27.0	0.8	29.4							80	13.0	9.2	1.3	2.95			
	6	2.4	75/63	21.6	17.6	24.4	0.8	26.5							30	2.5	60	14.2	11.2	1.0	3.99	
			80/67	23.0	18.1	25.9	0.8	28.7										70	13.7	10.3	1.2	3.45
			85/71	24.5	18.6	27.3	0.8	31.0										80	13.3	9.5	1.3	3
60	3	0.7	75/63	19.6	16.7	23.0	1.0	19.7	40	0.7	60							15.2	12.2	1.1	4.24	
			80/67	20.8	17.3	24.2	1.0	21.1										70	14.9	11.5	1.2	3.71
			85/71	22.1	17.9	25.5	1.0	22.6										80	14.5	10.7	1.3	3.25
	4.5	1.2	75/63	20.2	16.9	23.4	0.9	21.7				40	1.2	60				16.0	13.0	1.1	4.44	
			80/67	21.6	17.5	24.7	0.9	23.4										70	15.6	12.2	1.2	3.87
			85/71	22.9	18.1	26.1	0.9	25.1										80	15.2	11.3	1.3	3.39
	6	2.4	75/63	20.5	17.1	23.6	0.9	22.7							40	2.5	60	16.5	13.4	1.1	4.56	
			80/67	21.9	17.6	25.0	0.9	24.6										70	16.0	12.5	1.2	3.97
			85/71	23.3	18.3	26.4	0.9	26.5										80	15.5	11.7	1.3	3.46
70	3	0.7	75/63	18.5	16.3	22.2	1.1	16.7	50	0.7	60							17.4	14.2	1.1	4.79	
			80/67	19.7	16.8	23.5	1.1	17.9										70	16.9	13.5	1.2	4.17
			85/71	20.9	17.5	24.7	1.1	19.1										80	16.6	12.7	1.3	3.69
	4.5	1.2	75/63	19.1	16.5	22.6	1.0	18.3				50	1.2	60				18.2	15.3	1.1	5	
			80/67	20.4	17.2	23.9	1.0	19.7										70	17.8	14.3	1.2	4.38
			85/71	21.7	17.6	25.2	1.0	21.2										80	17.4	13.5	1.3	3.85
	6	2.3	75/63	19.4	16.6	22.8	1.0	19.2							50	2.4	60	18.8	15.8	1.1	5.16	
			80/67	20.7	17.3	24.1	1.0	20.7										70	18.3	14.8	1.2	4.5
			85/71	22.1	17.8	25.5	1.0	22.4										80	17.8	13.9	1.3	3.94
80	3	0.7	75/63	17.4	15.8	21.6	1.2	14.1	60	0.7	60							19.3	16.2	1.1	5.28	
			80/67	18.6	16.4	22.7	1.2	15.0										70	18.9	15.5	1.2	4.64
			85/71	19.7	17.1	23.9	1.2	16.0										80	18.6	14.7	1.3	4.1
	4.5	1.2	75/63	18.0	16.0	21.9	1.2	15.4				60	1.2	60				20.6	17.3	1.1	5.63	
			80/67	19.2	16.6	23.1	1.2	16.5										70	20.0	16.6	1.2	4.9
			85/71	20.5	17.2	24.4	1.2	17.8										80	19.5	15.8	1.3	4.29
	6	2.3	75/63	18.3	16.1	22.1	1.1	16.1							60	2.4	60	21.3	18.2	1.1	5.82	
			80/67	19.5	16.7	23.3	1.1	17.4										70	20.6	17.2	1.2	5.05
			85/71	20.8	17.4	24.6	1.1	18.7										80	20.1	16.2	1.3	4.41
90	3	0.7	75/63	16.3	15.4	20.9	1.4	11.7	70	0.7	60							21.1	17.8	1.1	5.78	
			80/67	17.4	16.0	22.1	1.4	12.5										70	21.4	17.7	1.2	5.24
			85/71	18.5	16.7	23.2	1.4	13.3										80	20.6	16.3	1.3	4.52
	4.5	1.2	75/63	16.8	15.6	21.2	1.3	12.8				70	1.2	60				22.7	19.7	1.1	6.2	
			80/67	18.0	16.2	22.4	1.3	13.8										70	21.6	18.0	1.2	5.29
			85/71	19.2	16.8	23.6	1.3	14.8										80	21.8	17.9	1.3	4.76
	6	2.2	75/63	17.1	15.7	21.4	1.3	13.3							70	2.3	60	23.3	20.1	1.1	6.38	
			80/67	18.3	16.3	22.6	1.3	14.4										70	23.0	19.6	1.2	5.62
			85/71	19.5	17.0	23.8	1.3	15.5										80	22.4	18.7	1.3	4.89
100	3	0.6	75/63	15.3	15.0	20.4	1.6	9.8	80	0.7	60							23.8	21.2	1.1	6.52	
			80/67	16.3	15.7	21.4	1.6	10.4										70	23.2	20.1	1.2	5.67
			85/71	17.3	16.2	22.5	1.6	11.1										80	22.9	18.6	1.3	5
	4.5	1.2	75/63	15.7	15.2	20.6	1.5	10.6				80	1.2	60				25.1	22.7	1.1	6.89	
			80/67	16.8	15.8	21.7	1.5	11.4										70	24.6	21.0	1.2	6.02
			85/71	18.0	16.3	22.9	1.5	12.2										80	24.2	19.8	1.3	5.3
	6	2.1	75/63	16.0	15.2	20.7	1.4	11.0							80	2.3	60	26.0	22.6	1.1	7.15	
			80/67	17.1	15.9	21.8	1.4	11.9										70	25.5	21.6	1.2	6.27
			85/71	18.2	16.6	23.0	1.4	12.7										80	24.9	21.0	1.3	5.45
110	3	0.6	75/63	14.4	14.4	20.0	1.7	8.3	Extended Range - Anti-freeze required	0.7	60							23.8	21.2	1.1	6.52	
			80/67	15.2	15.2	20.9	1.7	8.7										70	23.2	20.1	1.2	5.67
			85/71	16.2	15.8	21.9	1.8	9.2										80	22.9	18.6	1.3	5
	4.5	1.2	75/63	14.6	14.6	20.1	1.7	8.8				Extended Range - Anti-freeze required	1.2	60				25.1	22.7	1.1	6.89	
			80/67	15.6	15.4	21.1	1.7	9.4										70	24.6	21.0	1.2	6.02
			85/71	16.7	15.9	22.2	1.7	10.0										80	24.2	19.8	1.3	5.3
	6	2.1	75/63	14.8	14.8	20.1	1.6	9.0							Extended Range - Anti-freeze required	2.3	60	26.0	22.6	1.1	7.15	
			80/67	15.9	15.5	21.2	1.6	9.7										70	25.5	21.6	1.2	6.27
			85/71	17.0	16.0	22.3	1.6	10.5										80	24.9	21.0	1.3	5.45

Extended Range - Anti-freeze required
 AHR/ISO 13256-1 certified performance is rated at entering air conditions of 80.6°F DB and 66.2°F WB in cooling and 68°F DB in heating.
 Tabulated unit performance does not include fan or pump power corrections required for AHR/ISO standard performance ratings.
 Unit performance may be interpolated. Extrapolation is not allowed.
 For conditions other than rating conditions provided, consult the BST selection software.
 Ratings below 40°F are with a methanol solution.

DISCLAIMER: The performance reported herein is based on testing by FHP. Variations in the installation and operational environment may alter performance. Bosch disclaims all warranties, express and implied, that the performance will be as reported, including the warranty of merchantability and fitness for purpose. In addition, continuous research and development may result in a change to an appliances design and specifications at the time of order, which Bosch may change without notice. Before purchase, confirm the design specifications of the appliance.

LM Model Series - Commercial Water Source Heat Pumps



Capacity Data LM036 Full Load (1300 CFM)																
Cooling									Heating							
Entering Water Temp (°F)	Water flow (GPM)	Pressure Drop PSI (FOH)	Entering Air Temp DB/WB (°F)	Total Capacity (MBTUH)	Sensible Capacity (MBTUH)	Heat of Rejection (MBTUH)	Power (kW)	EER	Entering Fluid Temp (°F)	Pressure Drop PSI (FOH)	Entering Air Temp (°F)	Total Capacity (MBTUH)	Heat of Absorption (MBTUH)	Power Input (kW)	COP	
50	4.5	1.2	75/63	40.7	31.7	47.3	1.9	20.9	30	1.2	60	26.9	20.9	1.9	4.12	
			80/67	43.2	32.8	50.1	2.0	21.8				70	26.4	19.8	2.1	3.65
			85/71	46.0	33.5	53.0	2.0	22.6				80	26.1	18.6	2.3	3.26
	7	2.5	75/63	42.0	32.3	48.4	1.9	22.7			60	28.3	22.3	1.9	4.29	
			80/67	44.7	33.4	51.3	1.9	23.6			70	27.8	21.1	2.1	3.79	
			85/71	47.7	34.2	54.4	1.9	24.6			80	27.4	19.6	2.4	3.38	
	9	3.9	75/63	42.6	32.5	48.8	1.8	23.4			60	29.0	23.0	1.9	4.36	
			80/67	45.4	33.6	51.8	1.9	24.4			70	28.4	21.7	2.2	3.86	
			85/71	48.4	34.4	55.0	1.9	25.3			80	27.9	19.9	2.4	3.43	
60	4.5	1.2	75/63	38.9	31.0	46.1	2.1	18.6	40	1.2	60	30.7	24.5	2.0	4.54	
			80/67	41.4	32.1	48.7	2.1	19.5				70	30.1	23.3	2.2	4.03
			85/71	44.0	33.1	51.5	2.2	20.3				80	29.6	22.0	2.4	3.58
	7	2.5	75/63	40.2	31.6	47.0	2.0	20.3			60	32.5	26.3	2.0	4.74	
			80/67	42.9	32.5	49.8	2.0	21.3			70	31.8	24.9	2.2	4.2	
			85/71	45.7	33.4	52.8	2.1	22.3			80	31.1	23.5	2.5	3.72	
	9	3.8	75/63	40.7	31.9	47.3	1.9	21.0			60	33.4	27.1	2.0	4.82	
			80/67	43.5	32.7	50.3	2.0	22.0			70	32.6	25.6	2.2	4.27	
			85/71	46.4	33.7	53.3	2.0	23.0			80	31.8	24.1	2.5	3.78	
70	4.5	1.1	75/63	37.2	30.3	44.9	2.3	16.4	50	1.2	60	34.7	28.3	2.1	4.96	
			80/67	39.5	31.4	47.4	2.3	17.2				70	34.0	26.9	2.3	4.41
			85/71	42.1	32.1	50.1	2.3	18.0				80	33.4	25.5	2.5	3.92
	7	2.4	75/63	38.3	30.9	45.7	2.1	17.9			60	37.0	30.5	2.1	5.17	
			80/67	41.0	31.8	48.4	2.2	18.9			70	36.0	29.0	2.3	4.58	
			85/71	43.7	32.7	51.2	2.2	19.8			80	35.3	27.4	2.5	4.09	
	9	3.8	75/63	38.8	31.1	46.0	2.1	18.5			60	38.0	31.5	2.1	5.27	
			80/67	41.5	32.0	48.8	2.1	19.6			70	37.0	29.8	2.3	4.68	
			85/71	44.3	32.9	51.7	2.2	20.6			80	36.1	28.2	2.5	4.16	
80	4.5	1.1	75/63	35.4	29.5	43.8	2.5	14.2	60	1.2	60	38.9	32.3	2.1	5.35	
			80/67	37.7	30.5	46.2	2.5	15.0				70	38.1	30.8	2.3	4.78
			85/71	40.0	31.7	48.7	2.5	15.7				80	37.4	29.3	2.6	4.27
	7	2.4	75/63	36.5	30.0	44.5	2.3	15.6			60	41.6	34.9	2.2	5.59	
			80/67	39.0	31.2	47.0	2.4	16.5			70	40.7	32.9	2.4	5.01	
			85/71	41.6	32.0	49.8	2.4	17.4			80	39.7	31.5	2.6	4.46	
	9	3.7	75/63	37.0	30.2	44.7	2.3	16.1			60	42.9	36.1	2.2	5.7	
			80/67	39.5	31.4	47.4	2.3	17.1			70	41.7	34.3	2.4	5.09	
			85/71	42.1	32.4	50.1	2.3	18.1			80	40.7	32.7	2.6	4.54	
90	4.5	1.1	75/63	33.5	29.0	42.7	2.7	12.3	70	1.1	60	43.3	36.5	2.2	5.74	
			80/67	35.7	30.0	45.1	2.8	12.9				70	42.4	34.9	2.4	5.15
			85/71	38.1	30.8	47.6	2.8	13.6				80	41.6	33.1	2.6	4.61
	7	2.4	75/63	34.6	29.4	43.3	2.6	13.4			60	46.5	39.6	2.3	6.01	
			80/67	37.0	30.5	45.8	2.6	14.2			70	45.4	37.7	2.5	5.39	
			85/71	39.5	31.2	48.4	2.6	15.1			80	44.3	35.9	2.7	4.81	
	9	3.6	75/63	35.0	29.2	43.5	2.5	13.8			60	48.0	41.0	2.3	6.12	
			80/67	37.4	30.6	46.1	2.5	14.7			70	46.7	39.0	2.5	5.49	
			85/71	40.1	31.4	48.7	2.6	15.7			80	45.6	36.6	2.7	4.92	
100	4.5	1.1	75/63	31.7	28.2	41.8	3.0	10.5	80	1.1	60	47.9	40.9	2.3	6.12	
			80/67	33.9	29.1	44.2	3.0	11.1				70	46.9	39.2	2.5	5.5
			85/71	36.1	30.1	46.5	3.1	11.8				80	45.9	37.1	2.7	4.94
	7	2.3	75/63	32.7	28.5	42.3	2.9	11.4			60	51.7	44.4	2.4	6.39	
			80/67	35.0	29.5	44.7	2.9	12.2			70	50.3	42.4	2.6	5.76	
			85/71	37.3	30.7	47.1	2.9	12.9			80	49.1	40.0	2.8	5.17	
	9	3.6	75/63	32.9	28.8	42.4	2.8	11.7			60	53.4	46.0	2.4	6.51	
			80/67	35.4	29.4	44.9	2.8	12.5			70	51.9	43.9	2.6	5.86	
			85/71	37.8	30.9	47.4	2.8	13.4			80	50.5	41.8	2.8	5.25	
110	4.5	1.1	75/63	29.8	27.5	41.0	3.3	8.9	Extended Range - Anti-freeze required	1.1	60	47.9	40.9	2.3	6.12	
			80/67	31.9	28.6	43.2	3.4	9.5				70	46.9	39.2	2.5	5.5
			85/71	34.0	29.6	45.5	3.4	10.0				80	45.9	37.1	2.7	4.94
	7	2.2	75/63	30.7	27.9	41.4	3.2	9.7			60	51.7	44.4	2.4	6.39	
			80/67	33.0	28.8	43.7	3.2	10.3			70	50.3	42.4	2.6	5.76	
			85/71	35.2	29.8	46.1	3.2	11.0			80	49.1	40.0	2.8	5.17	
	9	3.5	75/63	31.1	28.0	41.6	3.1	10.0			60	53.4	46.0	2.4	6.51	
			80/67	33.4	28.9	43.9	3.1	10.7			70	51.9	43.9	2.6	5.86	
			85/71	35.6	29.9	46.3	3.1	11.3			80	50.5	41.8	2.8	5.25	

Extended Range - Anti-freeze required
 AHR/ISO13256-1 certified performance is rated at entering air conditions of 80.6°F DB and 66.2°F WB in cooling and 68°F DB in heating.
 Tabulated unit performance does not include fan or pump power corrections required for AHR/ISO standard performance ratings.
 Unit performance may be interpolated. Extrapolation is not allowed.
 For conditions other than rating conditions provided, consult the BST selection software.
 Ratings below 40°F are with a methanol solution.

DISCLAIMER: The performance reported herein is based on testing by FHP. Variations in the installation and operational environment may alter performance. Bosch disclaims all warranties, express and implied, that the performance will be as reported, including the warranty of merchantability and fitness for purpose. In addition, continuous research and development may result in a change to an appliances design and specifications at the time of order, which Bosch may change without notice. Before purchase, confirm the design specifications of the appliance.

LM Model Series - Commercial Water Source Heat Pumps



Capacity Data LM036 Part Load (1080 CFM)																	
Cooling									Heating								
Entering Water Temp (°F)	Water flow (GPM)	Pressure Drop PSI (FOH)	Entering Air Temp DB/WB (°F)	Total Capacity (MBTUH)	Sensible Capacity (MBTUH)	Heat of Rejection (MBTUH)	Power (kW)	EER	Entering Fluid Temp (°F)	Pressure Drop PSI (FOH)	Entering Air Temp (°F)	Total Capacity (MBTUH)	Heat of Absorption (MBTUH)	Power Input (kW)	COP		
50	4.5	1.2	75/63	30.5	24.8	34.6	1.2	25.8	30	1.2	60	19.4	15.2	1.4	4.02		
			80/67	32.6	25.8	36.6	1.2	27.9				70	18.8	14.0	1.6	3.49	
			85/71	34.7	26.6	38.7	1.2	30.1				80	18.4	12.8	1.8	3.04	
	7	2.5	75/63	31.4	25.2	35.3	1.1	27.8			60	2.6	60	20.1	15.6	1.4	4.16
			80/67	33.5	26.1	37.4	1.1	30.2					70	19.6	14.7	1.6	3.63
			85/71	35.8	26.9	39.6	1.1	33.0					80	19.2	13.4	1.8	3.16
	9	3.9	75/63	31.7	25.3	35.6	1.1	28.5			60	4.1	60	20.4	16.1	1.4	4.21
			80/67	33.9	26.3	37.7	1.1	31.2					70	20.0	15.6	1.6	3.7
			85/71	36.3	26.9	40.0	1.1	34.2					80	19.3	13.9	1.8	3.18
60	4.5	1.2	75/63	29.0	24.3	33.5	1.3	22.3	40	1.2	60	22.5	17.8	1.4	4.62		
			80/67	31.0	25.2	35.5	1.3	24.0				70	21.7	16.8	1.6	3.99	
			85/71	33.1	26.0	37.5	1.3	25.9				80	21.4	15.5	1.8	3.51	
	7	2.5	75/63	29.9	24.6	34.1	1.2	24.2			60	2.6	60	23.5	18.9	1.4	4.83
			80/67	31.9	25.5	36.1	1.2	26.3					70	22.9	18.0	1.6	4.22
			85/71	34.1	26.4	38.2	1.2	28.5					80	22.1	16.4	1.8	3.63
	9	3.8	75/63	30.2	24.7	34.4	1.2	25.0			60	4.0	60	24.0	19.4	1.4	4.92
			80/67	32.3	25.6	36.4	1.2	27.2					70	23.1	18.0	1.6	4.25
			85/71	34.5	26.5	38.6	1.2	29.7					80	22.6	16.9	1.8	3.71
70	4.5	1.1	75/63	27.6	23.6	32.5	1.5	19.0	50	1.2	60	25.5	21.3	1.4	5.21		
			80/67	29.5	24.6	34.4	1.4	20.4				70	25.1	19.8	1.6	4.59	
			85/71	31.5	25.3	36.4	1.4	21.9				80	24.4	18.8	1.8	4	
	7	2.4	75/63	28.3	24.0	33.0	1.4	20.7			60	2.5	60	27.1	22.4	1.4	5.52
			80/67	30.4	24.8	35.0	1.4	22.4					70	26.1	21.0	1.6	4.78
			85/71	32.4	25.8	37.0	1.3	24.2					80	25.4	19.0	1.8	4.15
	9	3.8	75/63	28.6	24.2	33.2	1.3	21.4			60	3.9	60	27.5	23.0	1.4	5.61
			80/67	30.7	24.9	35.3	1.3	23.3					70	26.6	21.8	1.6	4.86
			85/71	32.8	25.9	37.3	1.3	25.2					80	25.9	20.2	1.8	4.22
80	4.5	1.1	75/63	26.1	23.0	31.6	1.6	15.9	60	1.2	60	29.0	24.4	1.4	5.9		
			80/67	27.9	24.0	33.4	1.6	17.1				70	28.2	23.2	1.6	5.13	
			85/71	29.7	24.9	35.3	1.6	18.3				80	27.5	21.8	1.8	4.46	
	7	2.4	75/63	26.8	23.3	32.0	1.5	17.4			60	2.5	60	30.6	26.1	1.4	6.21
			80/67	28.7	24.3	33.9	1.5	18.7					70	29.7	24.7	1.6	5.39
			85/71	30.7	25.2	35.9	1.5	20.2					80	28.9	23.3	1.8	4.67
	9	3.7	75/63	27.1	23.4	32.2	1.5	17.9			60	3.8	60	31.3	26.8	1.4	6.36
			80/67	29.0	24.4	34.1	1.5	19.5					70	30.3	25.3	1.6	5.5
			85/71	31.1	25.3	36.1	1.5	21.1					80	29.4	23.9	1.8	4.75
90	4.5	1.1	75/63	24.5	22.5	30.7	1.9	13.2	70	1.1	60	32.5	27.9	1.4	6.59		
			80/67	26.2	23.4	32.5	1.9	14.2				70	31.6	26.6	1.6	5.71	
			85/71	28.0	24.3	34.3	1.9	15.2				80	30.9	25.2	1.8	4.97	
	7	2.4	75/63	25.2	22.8	31.1	1.8	14.4			60	2.4	60	34.4	30.0	1.4	6.97
			80/67	27.0	23.7	32.9	1.7	15.5					70	33.4	28.3	1.6	6.03
			85/71	28.9	24.6	34.8	1.7	16.7					80	32.5	26.9	1.8	5.21
	9	3.6	75/63	25.5	22.8	31.2	1.7	14.8			60	3.8	60	35.3	30.8	1.4	7.14
			80/67	27.3	23.8	33.1	1.7	16.1					70	34.2	29.3	1.6	6.16
			85/71	29.3	24.5	35.1	1.7	17.4					80	33.3	27.6	1.8	5.34
100	4.5	1.1	75/63	22.9	21.8	29.9	2.1	10.9	80	1.1	60	36.1	31.6	1.4	7.31		
			80/67	24.6	22.8	31.7	2.1	11.7				70	35.2	30.2	1.6	6.33	
			85/71	26.3	23.7	33.4	2.1	12.5				80	34.3	28.6	1.8	5.49	
	7	2.3	75/63	23.6	22.0	30.2	2.0	11.8			60	2.4	60	38.3	34.1	1.4	7.77
			80/67	25.4	22.9	32.0	2.0	12.8					70	37.2	32.5	1.6	6.68
			85/71	27.2	23.8	33.9	2.0	13.8					80	36.2	30.6	1.8	5.77
	9	3.6	75/63	23.8	22.1	30.4	2.0	12.2			60	3.7	60	39.3	35.1	1.4	7.98
			80/67	25.6	23.1	32.2	1.9	13.2					70	38.2	33.3	1.6	6.86
			85/71	27.5	23.9	34.0	1.9	14.3					80	37.1	31.4	1.8	5.89
110	4.5	1.1	75/63	21.4	21.2	29.3	2.4	9.0	Extended Range - Anti-freeze required	1.1	60	36.1	31.6	1.4	7.31		
			80/67	23.0	22.1	31.0	2.4	9.7				70	35.2	30.2	1.6	6.33	
			85/71	24.6	23.1	32.6	2.4	10.4				80	34.3	28.6	1.8	5.49	
	7	2.2	75/63	22.0	21.3	29.6	2.3	9.7			60	2.4	60	38.3	34.1	1.4	7.77
			80/67	23.7	22.3	31.2	2.3	10.4					70	37.2	32.5	1.6	6.68
			85/71	25.3	23.4	32.9	2.3	11.2					80	36.2	30.6	1.8	5.77
	9	3.5	75/63	22.2	21.5	29.6	2.2	9.9			60	3.7	60	39.3	35.1	1.4	7.98
			80/67	23.9	22.5	31.3	2.2	10.7					70	38.2	33.3	1.6	6.86
			85/71	25.6	23.5	33.1	2.2	11.6					80	37.1	31.4	1.8	5.89

Extended Range - Anti-freeze required
 AHR/ISO13256-1 certified performance is rated at entering air conditions of 80.6°F DB and 66.2°F WB in cooling and 68°F DB in heating.
 Tabulated unit performance does not include fan or pump power corrections required for AHR/ISO standard performance ratings.
 Unit performance may be interpolated. Extrapolation is not allowed.
 For conditions other than rating conditions provided, consult the BST selection software.
 Ratings below 40°F are with a methanol solution.

DISCLAIMER: The performance reported herein is based on testing by FHP. Variations in the installation and operational environment may alter performance. Bosch disclaims all warranties, express and implied, that the performance will be as reported, including the warranty of merchantability and fitness for purpose. In addition, continuous research and development may result in a change to an appliances design and specifications at the time of order, which Bosch may change without notice. Before purchase, confirm the design specifications of the appliance.

LM Model Series - Commercial Water Source Heat Pumps



Capacity Data LM048 Full Load (1580 CFM)																
Cooling									Heating							
Entering Water Temp (°F)	Water flow (GPM)	Pressure Drop PSI (FOH)	Entering Air Temp DB/WB (°F)	Total Capacity (MBTUH)	Sensible Capacity (MBTUH)	Heat of Rejection (MBTUH)	Power (kW)	EER	Entering Fluid Temp (°F)	Pressure Drop PSI (FOH)	Entering Air Temp (°F)	Total Capacity (MBTUH)	Heat of Absorption (MBTUH)	Power Input (kW)	COP	
50	6	1.0	75/63	50.8	39.5	60.0	2.7	18.8	30	1.1	60	35.9	27.2	2.7	3.91	
			80/67	54.0	40.7	63.4	2.7	19.7				70	35.5	25.6	3.0	3.46
			85/71	57.4	41.4	66.9	2.8	20.7				80	34.8	24.3	3.3	3.06
	9	2.1	75/63	52.7	40.4	61.3	2.5	21.1		2.2	60	37.9	29.1	2.7	4.06	
			80/67	56.2	41.4	64.9	2.5	22.3				70	37.4	27.3	3.0	3.59
			85/71	59.8	42.3	68.6	2.5	23.5				80	36.7	25.8	3.4	3.18
	12	3.5	75/63	53.8	40.6	62.1	2.4	22.4		3.7	60	39.2	30.2	2.8	4.14	
			80/67	57.3	41.9	65.7	2.4	23.7				70	38.4	28.4	3.1	3.66
			85/71	61.1	42.8	69.5	2.4	25.1				80	37.7	26.6	3.4	3.25
60	6	1.0	75/63	48.4	38.6	58.5	3.0	16.4	40	1.1	60	40.6	31.9	2.8	4.24	
			80/67	51.6	39.7	61.8	3.0	17.2				70	40.1	30.0	3.1	3.77
			85/71	54.9	40.5	65.2	3.0	18.1				80	39.6	28.5	3.4	3.37
	9	2.1	75/63	50.4	39.3	59.8	2.7	18.4		2.2	60	43.2	34.2	2.9	4.42	
			80/67	53.8	40.3	63.3	2.8	19.4				70	42.4	32.4	3.2	3.93
			85/71	57.1	41.6	66.8	2.8	20.5				80	41.8	30.5	3.5	3.51
	12	3.4	75/63	51.4	39.7	60.4	2.6	19.5		3.6	60	44.8	35.6	2.9	4.52	
			80/67	54.9	40.7	64.0	2.7	20.7				70	43.9	33.6	3.2	4.03
			85/71	58.4	42.0	67.6	2.7	21.9				80	43.1	31.6	3.5	3.59
70	6	1.0	75/63	46.1	37.5	57.2	3.2	14.2	50	1.0	60	45.9	36.4	2.9	4.59	
			80/67	49.1	38.7	60.3	3.3	15.0				70	45.2	34.8	3.2	4.11
			85/71	52.3	39.6	63.7	3.3	15.7				80	44.5	33.1	3.5	3.68
	9	2.0	75/63	48.1	38.1	58.3	3.0	15.9		2.1	60	49.0	39.5	3.0	4.8	
			80/67	51.3	39.3	61.6	3.0	16.9				70	48.1	37.5	3.3	4.3
			85/71	54.5	40.7	65.0	3.1	17.8				80	47.2	35.6	3.6	3.84
	12	3.4	75/63	49.0	38.5	58.9	2.9	16.9		3.5	60	50.9	41.3	3.0	4.92	
			80/67	52.3	40.0	62.3	2.9	17.9				70	49.8	39.1	3.3	4.4
			85/71	55.7	41.1	65.8	2.9	19.0				80	48.8	37.0	3.6	3.93
80	6	1.0	75/63	43.8	36.3	55.9	3.6	12.3	60	1.0	60	51.3	41.7	3.0	4.96	
			80/67	46.6	37.8	58.9	3.6	12.9				70	50.5	39.7	3.3	4.45
			85/71	49.6	39.0	62.1	3.7	13.5				80	49.7	38.0	3.7	3.98
	9	2.0	75/63	45.6	37.0	56.8	3.3	13.7		2.1	60	55.1	45.2	3.1	5.19	
			80/67	48.7	38.3	60.1	3.4	14.5				70	54.0	43.0	3.4	4.65
			85/71	51.8	39.7	63.3	3.4	15.3				80	53.0	40.9	3.7	4.16
	12	3.3	75/63	46.5	37.4	57.4	3.2	14.5		3.4	60	57.3	47.4	3.2	5.33	
			80/67	49.7	38.7	60.7	3.2	15.4				70	56.1	45.0	3.4	4.77
			85/71	53.1	39.9	64.1	3.2	16.4				80	54.9	42.7	3.8	4.26
90	6	1.0	75/63	41.4	35.6	54.7	3.9	10.5	70	1.0	60	57.1	47.1	3.1	5.31	
			80/67	44.2	36.6	57.7	4.0	11.1				70	56.1	45.1	3.4	4.77
			85/71	47.0	38.0	60.8	4.1	11.6				80	55.2	43.0	3.8	4.28
	9	2.0	75/63	43.0	36.2	55.5	3.7	11.7		2.0	60	61.5	51.2	3.2	5.57	
			80/67	46.0	37.5	58.6	3.7	12.4				70	60.2	48.9	3.5	4.99
			85/71	49.1	38.5	61.8	3.7	13.1				80	59.1	46.5	3.9	4.46
	12	3.2	75/63	43.9	36.6	55.9	3.6	12.4		3.4	60	64.0	53.7	3.3	5.72	
			80/67	47.0	37.6	59.1	3.6	13.2				70	62.6	51.1	3.6	5.11
			85/71	50.2	38.9	62.5	3.6	14.0				80	61.3	48.6	3.9	4.57
100	6	0.9	75/63	39.0	34.4	53.7	4.4	8.9	80	1.0	60	63.0	52.7	3.3	5.66	
			80/67	41.6	35.9	56.6	4.5	9.3				70	61.9	50.6	3.6	5.08
			85/71	44.4	36.8	59.6	4.5	9.8				80	60.9	48.4	3.9	4.55
	9	1.9	75/63	40.5	35.3	54.3	4.1	9.9		2.0	60	68.0	57.4	3.4	5.93	
			80/67	43.4	36.6	57.3	4.1	10.5				70	66.7	54.9	3.7	5.31
			85/71	46.4	37.5	60.5	4.2	11.1				80	65.4	52.4	4.0	4.74
	12	3.2	75/63	41.3	35.6	54.7	4.0	10.4		3.3	60	71.0	60.3	3.4	6.08	
			80/67	44.3	36.9	57.8	4.0	11.1				70	69.4	57.5	3.7	5.44
			85/71	47.3	38.2	60.9	4.0	11.8				80	67.9	54.7	4.1	4.85
110	6	0.9	75/63	36.6	33.7	52.9	4.8	7.6	Extended Range - Anti-freeze required	1.0	60	63.0	52.7	3.3	5.66	
			80/67	39.1	35.1	55.7	4.9	8.0				70	61.9	50.6	3.6	5.08
			85/71	41.8	35.9	58.7	5.0	8.4				80	60.9	48.4	3.9	4.55
	9	1.9	75/63	38.1	34.0	53.4	4.6	8.3		2.0	60	68.0	57.4	3.4	5.93	
			80/67	40.7	35.5	56.3	4.6	8.8				70	66.7	54.9	3.7	5.31
			85/71	43.4	37.0	59.2	4.7	9.3				80	65.4	52.4	4.0	4.74
	12	3.1	75/63	38.7	34.4	53.6	4.4	8.7		3.3	60	71.0	60.3	3.4	6.08	
			80/67	41.5	35.9	56.6	4.5	9.3				70	69.4	57.5	3.7	5.44
			85/71	44.4	37.2	59.6	4.5	9.9				80	67.9	54.7	4.1	4.85

Extended Range - Anti-freeze required
 AHR/ISO13256-1 certified performance is rated at entering air conditions of 80.6°F DB and 66.2°F WB in cooling and 68°F DB in heating.
 Tabulated unit performance does not include fan or pump power corrections required for AHR/ISO standard performance ratings.
 Unit performance may be interpolated. Extrapolation is not allowed.
 For conditions other than rating conditions provided, consult the BST selection software.
 Ratings below 40°F are with a methanol solution.

DISCLAIMER: The performance reported herein is based on testing by FHP. Variations in the installation and operational environment may alter performance. Bosch disclaims all warranties, express and implied, that the performance will be as reported, including the warranty of merchantability and fitness for purpose. In addition, continuous research and development may result in a change to an appliances design and specifications at the time of order, which Bosch may change without notice. Before purchase, confirm the design specifications of the appliance.

LM Model Series - Commercial Water Source Heat Pumps



Capacity Data LM048 Part Load (1380 CFM)																
Cooling									Heating							
Entering Water Temp (°F)	Water flow (GPM)	Pressure Drop PSI (FOH)	Entering Air Temp DB/WB (°F)	Total Capacity (MBTUH)	Sensible Capacity (MBTUH)	Heat of Rejection (MBTUH)	Power (kW)	EER	Entering Fluid Temp (°F)	Pressure Drop PSI (FOH)	Entering Air Temp (°F)	Total Capacity (MBTUH)	Heat of Absorption (MBTUH)	Power Input (kW)	COP	
50	6	1.0	75/63	39.1	32.1	44.6	1.6	24.3	30	1.1	60	60	27.1	20.8	2.0	3.92
			80/67	41.6	33.3	47.1	1.6	26.1				70	26.2	19.1	2.3	3.41
			85/71	44.3	34.3	49.8	1.6	28.1				80	25.3	17.5	2.5	2.96
	9	2.1	75/63	40.6	32.7	45.7	1.5	27.4		2.2	60	60	28.3	22.0	2.0	4.09
			80/67	43.2	33.9	48.3	1.5	29.8				70	27.3	20.2	2.3	3.54
			85/71	46.1	34.7	51.0	1.4	32.4				80	26.3	18.4	2.5	3.06
	12	3.5	75/63	41.3	33.0	46.2	1.4	29.2		3.7	60	60	29.0	22.7	2.0	4.18
			80/67	44.1	34.1	48.9	1.4	32.0				70	27.9	20.8	2.3	3.61
			85/71	47.0	35.1	51.7	1.3	34.9				80	26.9	19.0	2.5	3.12
60	6	1.0	75/63	36.8	31.2	43.1	1.8	20.1	40	1.1	60	60	30.8	24.5	2.0	4.42
			80/67	39.4	32.1	45.6	1.8	21.7				70	29.8	22.7	2.3	3.84
			85/71	41.9	33.4	48.1	1.8	23.3				80	28.9	21.0	2.5	3.34
	9	2.1	75/63	38.2	31.6	44.0	1.7	22.6		2.2	60	60	32.4	26.0	2.1	4.62
			80/67	40.9	32.7	46.6	1.7	24.5				70	31.2	24.1	2.3	4
			85/71	43.5	33.9	49.2	1.6	26.6				80	30.2	22.2	2.6	3.47
	12	3.4	75/63	38.9	32.0	44.5	1.6	24.0		3.6	60	60	33.2	26.8	2.1	4.74
			80/67	41.7	33.0	47.2	1.6	26.2				70	32.0	24.9	2.3	4.09
			85/71	44.5	34.0	49.9	1.6	28.5				80	30.9	22.9	2.6	3.54
70	6	1.0	75/63	34.8	30.3	41.7	2.1	16.8	50	1.0	60	60	34.8	28.4	2.1	4.94
			80/67	37.1	31.6	44.1	2.1	18.0				70	33.8	26.5	2.3	4.29
			85/71	39.6	32.5	46.6	2.0	19.4				80	32.9	24.7	2.6	3.74
	9	2.0	75/63	36.0	30.8	42.6	1.9	18.7		2.1	60	60	36.7	30.2	2.1	5.19
			80/67	38.5	32.1	45.0	1.9	20.3				70	35.5	28.3	2.3	4.49
			85/71	41.1	33.2	47.6	1.9	21.9				80	34.5	26.2	2.6	3.9
	12	3.4	75/63	36.7	31.1	43.0	1.9	19.8		3.5	60	60	37.8	31.3	2.1	5.33
			80/67	39.3	32.4	45.5	1.8	21.5				70	36.5	29.2	2.3	4.6
			85/71	42.0	33.3	48.2	1.8	23.4				80	35.4	27.1	2.6	4
80	6	1.0	75/63	32.5	29.5	40.3	2.3	13.9	60	1.0	60	60	39.0	32.5	2.1	5.49
			80/67	34.7	30.6	42.6	2.3	14.9				70	37.9	30.6	2.3	4.77
			85/71	37.1	31.7	45.0	2.3	16.1				80	37.0	28.7	2.6	4.17
	9	2.0	75/63	33.7	29.9	41.1	2.2	15.4		2.1	60	60	41.3	34.8	2.1	5.77
			80/67	36.1	30.9	43.5	2.2	16.7				70	40.0	32.8	2.3	5.01
			85/71	38.6	32.2	45.9	2.1	18.0				80	38.9	30.7	2.6	4.36
	12	3.3	75/63	34.3	30.2	41.4	2.1	16.3		3.4	60	60	42.6	36.1	2.1	5.95
			80/67	36.8	31.4	43.9	2.1	17.7				70	41.3	33.9	2.3	5.16
			85/71	39.4	32.5	46.5	2.1	19.2				80	40.0	31.8	2.6	4.47
90	6	1.0	75/63	30.3	28.7	39.1	2.6	11.5	70	1.0	60	60	43.5	37.0	2.1	6.07
			80/67	32.5	29.9	41.3	2.6	12.4				70	42.4	35.0	2.3	5.28
			85/71	34.8	31.1	43.6	2.6	13.3				80	41.3	33.0	2.6	4.61
	9	2.0	75/63	31.4	29.1	39.7	2.5	12.7		2.0	60	60	46.2	39.7	2.1	6.43
			80/67	33.7	30.4	42.0	2.5	13.7				70	44.8	37.5	2.4	5.57
			85/71	36.2	31.5	44.4	2.4	14.8				80	43.6	35.4	2.6	4.84
	12	3.2	75/63	32.0	29.3	40.1	2.4	13.4		3.4	60	60	47.8	41.3	2.1	6.63
			80/67	34.4	30.6	42.4	2.4	14.5				70	46.3	39.0	2.4	5.74
			85/71	36.9	31.8	44.9	2.3	15.7				80	45.0	36.6	2.6	4.98
100	6	0.9	75/63	28.2	27.5	38.0	2.9	9.6	80	1.0	60	60	48.2	41.7	2.1	6.69
			80/67	30.3	29.0	40.1	2.9	10.3				70	47.0	39.6	2.4	5.81
			85/71	32.5	30.2	42.3	2.9	11.1				80	45.8	37.5	2.7	5.07
	9	1.9	75/63	29.2	27.9	38.5	2.8	10.5		2.0	60	60	51.3	44.8	2.1	7.1
			80/67	31.4	29.2	40.7	2.8	11.3				70	49.9	42.5	2.4	6.15
			85/71	33.7	30.4	43.0	2.8	12.2				80	48.5	40.2	2.7	5.34
	12	3.2	75/63	29.7	28.1	38.8	2.7	11.0		3.3	60	60	53.1	46.7	2.1	7.34
			80/67	32.0	29.6	41.0	2.7	11.9				70	51.6	44.2	2.4	6.34
			85/71	34.3	30.8	43.4	2.7	12.9				80	50.1	41.7	2.7	5.49
110	6	0.9	75/63	26.5	26.5	37.4	3.3	8.0	Extended Range - Anti-freeze required	1.0	60	60	48.2	41.7	2.1	6.69
			80/67	28.2	28.2	39.1	3.3	8.6				70	47.0	39.6	2.4	5.81
			85/71	30.2	29.6	41.2	3.3	9.2				80	45.8	37.5	2.7	5.07
	9	1.9	75/63	27.1	27.1	37.5	3.1	8.7		2.0	60	60	51.3	44.8	2.1	7.1
			80/67	29.1	28.7	39.6	3.1	9.4				70	49.9	42.5	2.4	6.15
			85/71	31.3	29.9	41.7	3.1	10.1				80	48.5	40.2	2.7	5.34
	12	3.1	75/63	27.5	27.5	37.7	3.1	9.0		3.3	60	60	53.1	46.7	2.1	7.34
			80/67	29.7	28.9	39.8	3.0	9.8				70	51.6	44.2	2.4	6.34
			85/71	31.9	30.1	42.1	3.0	10.6				80	50.1	41.7	2.7	5.49

Extended Range - Anti-freeze required
 AHR/ISO13256-1 certified performance is rated at entering air conditions of 80.6°F DB and 66.2°F WB in cooling and 68°F DB in heating.
 Tabulated unit performance does not include fan or pump power corrections required for AHR/ISO standard performance ratings.
 Unit performance may be interpolated. Extrapolation is not allowed.
 For conditions other than rating conditions provided, consult the BST selection software.
 Ratings below 40°F are with a methanol solution.

DISCLAIMER: The performance reported herein is based on testing by FHP. Variations in the installation and operational environment may alter performance. Bosch disclaims all warranties, express and implied, that the performance will be as reported, including the warranty of merchantability and fitness for purpose. In addition, continuous research and development may result in a change to an appliances design and specifications at the time of order, which Bosch may change without notice. Before purchase, confirm the design specifications of the appliance.

LM Model Series - Commercial Water Source Heat Pumps



Capacity Data LM060 Full Load (2000 CFM)																
Cooling									Heating							
Entering Water Temp (°F)	Water flow (GPM)	Pressure Drop PSI (FOH)	Entering Air Temp DB/WB (°F)	Total Capacity (MBTUH)	Sensible Capacity (MBTUH)	Heat of Rejection (MBTUH)	Power (kW)	EER	Entering Fluid Temp (°F)	Pressure Drop PSI (FOH)	Entering Air Temp (°F)	Total Capacity (MBTUH)	Heat of Absorption (MBTUH)	Power Input (kW)	COP	
50	7.5	1.2	75/63	64.5	50.2	75.8	3.3	19.7	30	1.2	60	60	44.3	33.2	3.4	3.79
			80/67	68.7	51.3	80.2	3.3	20.5				70	43.6	31.4	3.8	3.4
			85/71	72.9	52.6	84.6	3.4	21.4				80	42.7	29.8	4.1	3.03
	11	2.5	75/63	66.7	50.8	77.4	3.1	21.4		2.6	60	60	46.3	35.0	3.5	3.91
			80/67	71.0	52.2	81.9	3.2	22.5				70	45.5	33.0	3.8	3.5
			85/71	75.4	53.8	86.5	3.2	23.4				80	44.7	31.1	4.2	3.14
	15	4.4	75/63	67.9	51.3	78.3	3.0	22.5		4.6	60	60	47.6	36.5	3.5	3.99
			80/67	72.3	53.0	82.9	3.1	23.6				70	46.7	34.1	3.8	3.57
			85/71	76.9	54.4	87.8	3.1	24.7				80	45.8	32.2	4.2	3.2
60	7.5	1.2	75/63	61.8	48.7	73.9	3.5	17.4	40	1.2	60	60	49.9	38.5	3.5	4.13
			80/67	65.7	50.1	78.1	3.6	18.2				70	49.1	36.6	3.9	3.71
			85/71	69.8	51.5	82.3	3.7	19.0				80	48.5	34.9	4.3	3.34
	11	2.5	75/63	63.8	49.6	75.3	3.4	19.0		2.6	60	60	52.5	40.9	3.6	4.28
			80/67	67.9	51.3	79.6	3.4	20.0				70	51.5	38.8	3.9	3.84
			85/71	72.2	52.8	84.1	3.4	20.9				80	50.7	36.7	4.3	3.45
	15	4.3	75/63	64.9	50.3	76.1	3.2	20.0		4.5	60	60	54.2	42.6	3.6	4.38
			80/67	69.2	51.8	80.6	3.3	21.1				70	53.1	40.2	4.0	3.93
			85/71	73.8	52.9	85.3	3.3	22.1				80	52.0	37.9	4.3	3.53
70	7.5	1.2	75/63	58.8	47.7	72.0	3.9	15.3	50	1.2	60	60	56.1	44.4	3.7	4.48
			80/67	62.7	48.9	76.0	3.9	16.0				70	55.2	42.3	4.0	4.04
			85/71	66.5	50.3	80.1	4.0	16.8				80	54.3	40.5	4.4	3.63
	11	2.4	75/63	60.9	48.3	73.3	3.6	16.7		2.5	60	60	59.3	47.3	3.7	4.66
			80/67	64.9	49.8	77.5	3.7	17.6				70	58.2	45.0	4.1	4.2
			85/71	68.9	51.6	81.8	3.7	18.5				80	57.0	43.0	4.4	3.77
	15	4.2	75/63	61.9	49.1	74.0	3.5	17.6		4.4	60	60	61.4	49.2	3.8	4.78
			80/67	66.1	50.6	78.3	3.6	18.6				70	60.1	46.8	4.1	4.3
			85/71	70.4	52.1	82.8	3.6	19.6				80	58.9	44.3	4.5	3.86
80	7.5	1.2	75/63	56.0	46.3	70.3	4.2	13.3	60	1.2	60	60	62.7	50.6	3.8	4.85
			80/67	59.6	47.7	74.1	4.3	14.0				70	61.7	48.4	4.1	4.37
			85/71	63.1	49.6	77.9	4.3	14.6				80	60.8	46.1	4.5	3.94
	11	2.4	75/63	57.8	47.3	71.4	4.0	14.5		2.5	60	60	66.6	54.1	3.9	5.05
			80/67	61.7	48.6	75.4	4.0	15.4				70	65.2	51.7	4.2	4.54
			85/71	65.7	50.0	79.5	4.1	16.2				80	64.0	49.1	4.6	4.09
	15	4.1	75/63	59.0	47.5	72.1	3.8	15.3		4.3	60	60	69.1	56.5	3.9	5.17
			80/67	62.8	49.3	76.2	3.9	16.2				70	67.6	53.8	4.3	4.66
			85/71	67.1	50.5	80.5	3.9	17.1				80	66.2	51.1	4.6	4.18
90	7.5	1.2	75/63	53.0	45.1	68.6	4.6	11.5	70	1.2	60	60	69.7	57.1	3.9	5.2
			80/67	56.1	47.3	72.1	4.7	12.1				70	68.5	54.8	4.3	4.69
			85/71	59.7	48.5	75.9	4.7	12.7				80	67.3	52.4	4.7	4.23
	11	2.3	75/63	54.7	46.1	69.5	4.4	12.6		2.4	60	60	74.2	61.3	4.0	5.41
			80/67	58.5	47.3	73.4	4.4	13.3				70	72.7	58.7	4.4	4.88
			85/71	62.0	49.3	77.3	4.4	14.0				80	71.3	55.8	4.8	4.39
	15	4.0	75/63	55.8	46.2	70.2	4.2	13.2		4.2	60	60	77.2	64.0	4.1	5.54
			80/67	59.6	47.8	74.1	4.3	14.0				70	75.5	61.1	4.4	5
			85/71	63.6	49.3	78.2	4.3	14.8				80	73.8	58.1	4.8	4.49
100	7.5	1.2	75/63	49.9	44.2	67.1	5.1	9.9	80	1.2	60	60	77.0	63.9	4.1	5.54
			80/67	53.1	45.7	70.5	5.1	10.4				70	75.6	61.4	4.4	5
			85/71	56.4	47.4	74.1	5.2	10.9				80	74.2	58.8	4.8	4.51
	11	2.3	75/63	51.6	44.5	67.9	4.8	10.8		2.4	60	60	82.2	68.8	4.2	5.76
			80/67	55.0	46.4	71.5	4.8	11.4				70	80.4	65.8	4.5	5.19
			85/71	58.7	47.7	75.3	4.9	12.0				80	78.7	62.9	4.9	4.68
	15	3.9	75/63	52.5	45.2	68.4	4.7	11.3		4.1	60	60	85.7	72.0	4.3	5.89
			80/67	56.1	47.0	72.1	4.7	12.0				70	83.6	68.7	4.6	5.32
			85/71	59.9	48.2	76.0	4.7	12.7				80	81.7	65.4	5.0	4.78
110	7.5	1.2	75/63	46.9	42.8	65.7	5.6	8.4	Extended Range - Anti-freeze required	1.2	60	60	77.0	63.9	4.1	5.54
			80/67	49.9	44.4	69.0	5.6	8.9				70	75.6	61.4	4.4	5
			85/71	53.1	45.9	72.4	5.7	9.3				80	74.2	58.8	4.8	4.51
	11	2.2	75/63	48.4	43.5	66.4	5.3	9.1		2.4	60	60	82.2	68.8	4.2	5.76
			80/67	51.7	45.1	69.9	5.3	9.7				70	80.4	65.8	4.5	5.19
			85/71	55.1	46.7	73.4	5.4	10.3				80	78.7	62.9	4.9	4.68
	15	3.8	75/63	49.3	43.8	66.8	5.2	9.6		4.1	60	60	85.7	72.0	4.3	5.89
			80/67	52.8	45.2	70.4	5.2	10.2				70	83.6	68.7	4.6	5.32
			85/71	56.1	47.5	73.9	5.2	10.8				80	81.7	65.4	5.0	4.78

Extended Range - Anti-freeze required
 AHR/ISO13256-1 certified performance is rated at entering air conditions of 80.6°F DB and 66.2°F WB in cooling and 68°F DB in heating.
 Tabulated unit performance does not include fan or pump power corrections required for AHR/ISO standard performance ratings.
 Unit performance may be interpolated. Extrapolation is not allowed.
 For conditions other than rating conditions provided, consult the BST selection software.
 Ratings below 40°F are with a methanol solution.

DISCLAIMER: The performance reported herein is based on testing by FHP. Variations in the installation and operational environment may alter performance. Bosch disclaims all warranties, express and implied, that the performance will be as reported, including the warranty of merchantability and fitness for purpose. In addition, continuous research and development may result in a change to an appliances design and specifications at the time of order, which Bosch may change without notice. Before purchase, confirm the design specifications of the appliance.

LM Model Series - Commercial Water Source Heat Pumps



Capacity Data LM060 Part Load (1790 CFM)																
Cooling									Heating							
Entering Water Temp (°F)	Water flow (GPM)	Pressure Drop PSI (FOH)	Entering Air Temp DB/WB (°F)	Total Capacity (MBTUH)	Sensible Capacity (MBTUH)	Heat of Rejection (MBTUH)	Power (kW)	EER	Entering Fluid Temp (°F)	Pressure Drop PSI (FOH)	Entering Air Temp (°F)	Total Capacity (MBTUH)	Heat of Absorption (MBTUH)	Power Input (kW)	COP	
50	7.5	1.2	75/63	50.4	41.4	57.4	2.0	24.7	30	1.2	60	32.6	24.7	2.5	3.81	
			80/67	53.6	42.9	60.6	2.0	26.5			70	31.3	22.6	2.8	3.31	
			85/71	57.1	43.9	64.0	2.0	28.6			80	30.2	20.5	3.1	2.88	
	11	2.5	75/63	51.9	42.2	58.6	1.9	27.1		60	34.1	25.8	2.5	3.98		
			80/67	55.5	43.4	62.0	1.9	29.5		70	32.8	23.5	2.8	3.46		
			85/71	59.0	44.6	65.5	1.8	32.0		80	31.2	21.3	3.1	2.97		
	15	4.4	75/63	52.9	42.6	59.3	1.8	28.8		60	34.9	26.5	2.5	4.06		
			80/67	56.5	43.8	62.8	1.8	31.4		70	33.5	24.2	2.8	3.52		
			85/71	60.2	45.1	66.4	1.8	34.2		80	31.8	22.0	3.1	3.03		
60	7.5	1.2	75/63	47.6	40.2	55.4	2.3	20.8	40	1.2	60	37.1	29.2	2.5	4.31	
			80/67	50.7	41.6	58.5	2.3	22.4			70	36.2	26.8	2.8	3.79	
			85/71	54.0	42.9	61.7	2.2	24.0			80	34.6	24.7	3.1	3.27	
	11	2.5	75/63	49.1	40.8	56.5	2.2	22.8		60	39.0	30.5	2.5	4.51		
			80/67	52.4	42.4	59.7	2.1	24.7		70	37.6	28.2	2.8	3.92		
			85/71	55.9	43.5	63.1	2.1	26.8		80	35.9	26.0	3.1	3.38		
	15	4.3	75/63	50.1	41.2	57.2	2.1	24.2		60	39.9	31.4	2.5	4.62		
			80/67	53.5	42.6	60.5	2.0	26.3		70	38.2	29.2	2.8	3.98		
			85/71	56.9	44.2	63.9	2.0	28.5		80	36.7	26.6	3.1	3.45		
70	7.5	1.2	75/63	44.7	39.0	53.4	2.6	17.4	50	1.2	60	42.0	33.9	2.5	4.83	
			80/67	47.8	40.4	56.5	2.6	18.7			70	40.6	31.7	2.8	4.21	
			85/71	50.8	42.1	59.5	2.5	20.1			80	39.4	29.3	3.1	3.68	
	11	2.4	75/63	46.2	39.6	54.4	2.4	19.1		60	44.2	35.6	2.6	5.07		
			80/67	49.4	41.1	57.6	2.4	20.6		70	42.4	33.4	2.8	4.37		
			85/71	52.7	42.4	60.8	2.4	22.3		80	41.0	30.9	3.2	3.82		
	15	4.2	75/63	47.1	40.0	55.0	2.3	20.1		60	45.4	36.8	2.6	5.2		
			80/67	50.4	41.4	58.3	2.3	21.9		70	43.5	34.5	2.8	4.48		
			85/71	53.7	43.0	61.5	2.3	23.7		80	42.2	31.9	3.2	3.91		
80	7.5	1.2	75/63	41.7	38.1	51.5	2.9	14.4	60	1.2	60	47.1	38.9	2.6	5.39	
			80/67	44.6	39.7	54.4	2.9	15.6			70	45.7	36.6	2.8	4.7	
			85/71	47.8	40.7	57.5	2.9	16.8			80	44.4	34.3	3.2	4.11	
	11	2.4	75/63	43.1	38.6	52.4	2.7	15.8		60	49.4	41.2	2.6	5.63		
			80/67	46.2	40.1	55.5	2.7	17.1		70	47.8	38.7	2.9	4.91		
			85/71	49.4	41.7	58.5	2.7	18.5		80	46.4	36.2	3.2	4.28		
	15	4.1	75/63	43.9	39.0	52.9	2.6	16.6		60	50.9	42.7	2.6	5.8		
			80/67	47.1	40.6	56.0	2.6	18.1		70	49.2	40.1	2.9	5.05		
			85/71	50.6	41.7	59.3	2.6	19.7		80	47.6	37.4	3.2	4.39		
90	7.5	1.2	75/63	38.9	36.6	49.8	3.2	12.0	70	1.2	60	52.5	44.3	2.6	5.99	
			80/67	41.6	38.6	52.5	3.2	12.9			70	51.1	41.9	2.9	5.23	
			85/71	44.6	39.8	55.5	3.2	13.9			80	49.7	39.4	3.2	4.57	
	11	2.3	75/63	40.2	37.2	50.5	3.1	13.0		60	55.2	47.1	2.6	6.3		
			80/67	43.1	39.0	53.5	3.1	14.1		70	53.6	44.5	2.9	5.48		
			85/71	46.2	40.5	56.5	3.0	15.3		80	52.0	41.7	3.2	4.78		
	15	4.0	75/63	40.8	37.8	51.0	3.0	13.7		60	57.0	48.9	2.6	6.51		
			80/67	43.9	39.4	54.0	3.0	14.9		70	55.2	46.1	2.9	5.65		
			85/71	47.1	40.9	57.0	2.9	16.2		80	53.5	43.3	3.2	4.91		
100	7.5	1.2	75/63	36.0	35.8	48.2	3.6	10.0	80	1.2	60	58.1	50.0	2.6	6.64	
			80/67	38.7	37.5	50.8	3.6	10.7			70	56.6	47.4	2.9	5.79	
			85/71	41.5	38.7	53.7	3.6	11.6			80	55.0	44.8	3.2	5.05	
	11	2.3	75/63	37.1	36.3	48.8	3.5	10.7		60	61.2	53.2	2.6	7.01		
			80/67	40.0	37.9	51.6	3.4	11.6		70	59.5	50.4	2.9	6.08		
			85/71	42.9	39.2	54.5	3.4	12.6		80	57.7	47.4	3.2	5.29		
	15	3.9	75/63	37.9	36.4	49.2	3.4	11.2		60	63.3	55.3	2.6	7.25		
			80/67	40.8	38.0	52.1	3.3	12.2		70	61.3	52.3	2.9	6.28		
			85/71	43.8	39.4	55.0	3.3	13.3		80	59.5	49.3	3.2	5.45		
110	7.5	1.2	75/63	33.9	33.9	47.3	4.0	8.4	Extended Range - Anti-freeze required	1.2	60	63.3	55.3	2.6	7.25	
			80/67	36.0	36.0	49.5	4.0	9.0			70	61.3	52.3	2.9	6.28	
			85/71	38.5	37.9	52.0	4.0	9.6			80	59.5	49.3	3.2	5.45	
	11	2.2	75/63	34.6	34.6	47.6	3.9	9.0		60	66.4	58.4	2.6	7.81		
			80/67	37.0	36.7	49.9	3.8	9.6		70	64.6	55.6	2.9	6.84		
			85/71	39.6	38.5	52.6	3.8	10.4		80	62.8	52.8	3.2	6.01		
	15	3.8	75/63	35.0	35.0	47.7	3.8	9.3		60	70.1	62.1	2.6	8.31		
			80/67	37.7	36.9	50.3	3.8	10.0		70	68.3	59.3	2.9	7.34		
			85/71	40.5	38.4	53.1	3.7	10.9		80	66.5	56.5	3.2	6.37		

Extended Range - Anti-freeze required
 AHRI/ISO13256-1 certified performance is rated at entering air conditions of 80.6°F DB and 66.2°F WB in cooling and 68°F DB in heating.
 Tabulated unit performance does not include fan or pump power corrections required for AHRI/ISO standard performance ratings.
 Unit performance may be interpolated. Extrapolation is not allowed.
 For conditions other than rating conditions provided, consult the BST selection software.
 Ratings below 40°F are with a methanol solution.

DISCLAIMER: The performance reported herein is based on testing by FHP. Variations in the installation and operational environment may alter performance. Bosch disclaims all warranties, express and implied, that the performance will be as reported, including the warranty of merchantability and fitness for purpose. In addition, continuous research and development may result in a change to an appliances design and specifications at the time of order, which Bosch may change without notice. Before purchase, confirm the design specifications of the appliance.

LM Model Series - Commercial Water Source Heat Pumps



Capacity Data LM070 Full Load (2450 CFM)																	
Cooling									Heating								
Entering Water Temp (°F)	Water flow (GPM)	Pressure Drop PSI (FOH)	Entering Air Temp DB/WB (°F)	Total Capacity (MBTUH)	Sensible Capacity (MBTUH)	Heat of Rejection (MBTUH)	Power (kW)	EER	Entering Fluid Temp (°F)	Pressure Drop PSI (FOH)	Entering Air Temp (°F)	Total Capacity (MBTUH)	Heat of Absorption (MBTUH)	Power Input (kW)	COP		
50	9	0.8	75/63	69.7	56.9	84.0	4.2	16.7	30	0.9	60	52.7	38.2	4.4	3.48		
			80/67	74.0	58.7	88.7	4.2	17.4				70	52.3	36.5	4.8	3.16	
			85/71	78.8	60.0	93.6	4.3	18.3				80	52.1	34.4	5.3	2.88	
	13	1.6	75/63	72.1	57.9	85.7	3.9	18.3			60	1.7	60	55.3	40.8	4.5	3.61
			80/67	76.8	59.8	90.6	4.0	19.3					70	54.7	38.8	4.9	3.27
			85/71	81.9	61.1	95.8	4.0	20.3					80	54.7	37.1	5.4	2.99
	17.5	2.7	75/63	73.6	58.5	86.7	3.8	19.4			60	2.7	60	57.3	42.3	4.5	3.71
			80/67	78.5	60.4	91.8	3.8	20.5					70	56.2	40.2	4.9	3.34
			85/71	83.6	62.2	97.1	3.9	21.6					80	56.2	38.7	5.4	3.05
60	9	0.8	75/63	66.6	55.3	82.0	4.5	14.7	40	0.9	60	59.4	44.5	4.6	3.8		
			80/67	70.7	57.4	86.4	4.6	15.4				70	58.8	42.5	5.0	3.45	
			85/71	74.8	59.8	90.8	4.6	16.1				80	58.4	40.7	5.4	3.14	
	13	1.6	75/63	68.9	56.6	83.5	4.3	16.2			60	1.7	60	62.7	47.5	4.6	3.96
			80/67	73.4	58.4	88.2	4.3	17.0					70	61.9	45.5	5.1	3.59
			85/71	78.1	60.2	93.1	4.4	17.9					80	61.5	42.8	5.5	3.27
	17.5	2.7	75/63	70.3	57.1	84.5	4.1	17.1			60	2.7	60	64.9	49.6	4.7	4.06
			80/67	75.2	58.7	89.4	4.2	18.1					70	63.8	47.7	5.1	3.67
			85/71	79.9	60.9	94.4	4.2	19.1					80	62.8	46.0	5.6	3.31
70	9	0.8	75/63	63.4	54.0	80.0	4.9	12.9	50	0.8	60	66.7	51.4	4.7	4.15		
			80/67	67.2	56.0	84.2	5.0	13.5				70	66.0	49.3	5.1	3.77	
			85/71	71.6	57.6	88.7	5.0	14.2				80	65.4	47.1	5.6	3.42	
	13	1.6	75/63	65.6	55.2	81.4	4.6	14.2			60	1.6	60	70.7	55.1	4.8	4.33
			80/67	69.8	57.1	85.9	4.7	14.9					70	69.8	52.9	5.2	3.92
			85/71	74.3	59.1	90.5	4.7	15.8					80	68.9	50.4	5.7	3.55
	17.5	2.7	75/63	67.1	55.5	82.4	4.5	15.0			60	2.7	60	73.5	57.6	4.8	4.45
			80/67	71.5	57.7	86.9	4.5	15.9					70	72.2	55.5	5.3	4.01
			85/71	76.3	59.2	91.9	4.5	16.8					80	71.2	52.7	5.7	3.64
80	9	0.8	75/63	60.0	53.0	78.2	5.3	11.3	60	0.8	60	74.5	58.7	4.9	4.49		
			80/67	63.9	54.8	82.2	5.4	11.9				70	73.6	56.4	5.3	4.07	
			85/71	67.5	57.4	86.3	5.4	12.4				80	72.8	54.0	5.8	3.69	
	13	1.5	75/63	62.3	53.5	79.4	5.0	12.4			60	1.6	60	79.3	63.3	5.0	4.69
			80/67	66.3	55.6	83.7	5.1	13.0					70	78.1	60.6	5.4	4.25
			85/71	70.5	57.9	88.1	5.1	13.8					80	77.0	58.0	5.9	3.84
	17.5	2.7	75/63	63.5	54.4	80.2	4.9	13.1			60	2.7	60	82.6	66.4	5.0	4.82
			80/67	67.9	56.0	84.7	4.9	13.9					70	81.2	63.3	5.5	4.36
			85/71	72.2	58.5	89.2	4.9	14.7					80	79.8	60.7	5.9	3.94
90	9	0.8	75/63	56.9	51.7	76.5	5.8	9.9	70	0.8	60	82.6	66.3	5.0	4.82		
			80/67	60.6	53.6	80.5	5.8	10.4				70	81.5	63.7	5.5	4.37	
			85/71	64.4	55.4	84.5	5.9	10.9				80	80.6	61.2	6.0	3.97	
	13	1.5	75/63	58.9	52.5	77.6	5.5	10.8			60	1.6	60	88.3	71.7	5.1	5.03
			80/67	62.8	54.4	81.7	5.5	11.4					70	86.9	68.8	5.6	4.56
			85/71	66.9	56.3	85.9	5.6	12.0					80	85.5	65.9	6.1	4.13
	17.5	2.7	75/63	60.1	53.0	78.2	5.3	11.3			60	2.7	60	92.2	75.4	5.2	5.18
			80/67	64.1	55.1	82.4	5.3	12.0					70	90.5	72.3	5.7	4.69
			85/71	68.4	57.0	86.8	5.4	12.7					80	88.9	68.7	6.1	4.24
100	9	0.8	75/63	53.5	50.4	75.0	6.3	8.5	80	0.8	60	91.1	74.3	5.2	5.14		
			80/67	57.0	52.5	78.7	6.4	8.9				70	89.8	71.5	5.6	4.67	
			85/71	60.7	54.2	82.6	6.4	9.4				80	88.6	68.6	6.1	4.23	
	13	1.5	75/63	55.6	51.1	75.9	6.0	9.3			60	1.5	60	97.6	80.5	5.3	5.36
			80/67	59.4	53.1	79.9	6.0	9.9					70	95.9	77.3	5.8	4.87
			85/71	63.2	55.1	83.9	6.1	10.4					80	94.3	74.1	6.3	4.41
	17.5	2.7	75/63	56.8	51.7	76.5	5.8	9.8			60	2.7	60	102.1	84.7	5.4	5.51
			80/67	60.8	53.3	80.6	5.8	10.4					70	100.1	81.3	5.9	5
			85/71	64.7	55.4	84.7	5.9	11.1					80	98.2	77.7	6.4	4.52
110	9	0.8	75/63	50.3	49.4	73.7	6.9	7.3	Extended Range - Anti-freeze required	0.8	60	91.1	74.3	5.2	5.14		
			80/67	53.8	51.2	77.3	6.9	7.8				70	89.8	71.5	5.6	4.67	
			85/71	57.0	53.6	80.9	7.0	8.1				80	88.6	68.6	6.1	4.23	
	13	1.5	75/63	52.1	49.9	74.4	6.6	7.9			60	1.5	60	97.6	80.5	5.3	5.36
			80/67	55.8	51.8	78.2	6.6	8.4					70	95.9	77.3	5.8	4.87
			85/71	59.3	53.9	82.0	6.6	8.9					80	94.3	74.1	6.3	4.41
	17.5	2.7	75/63	53.3	50.1	74.9	6.4	8.4			60	2.7	60	102.1	84.7	5.4	5.51
			80/67	57.0	52.1	78.7	6.4	8.9					70	100.1	81.3	5.9	5
			85/71	60.6	54.7	82.5	6.4	9.4					80	98.2	77.7	6.4	4.52

Extended Range - Anti-freeze required
 AHR/ISO13256-1 certified performance is rated at entering air conditions of 80.6°F DB and 66.2°F WB in cooling and 68°F DB in heating.
 Tabulated unit performance does not include fan or pump power corrections required for AHR/ISO standard performance ratings.
 Unit performance may be interpolated. Extrapolation is not allowed.
 For conditions other than rating conditions provided, consult the BST selection software.
 Ratings below 40°F are with a methanol solution.

DISCLAIMER: The performance reported herein is based on testing by FHP. Variations in the installation and operational environment may alter performance. Bosch disclaims all warranties, express and implied, that the performance will be as reported, including the warranty of merchantability and fitness for purpose. In addition, continuous research and development may result in a change to an appliances design and specifications at the time of order, which Bosch may change without notice. Before purchase, confirm the design specifications of the appliance.

LM Model Series - Commercial Water Source Heat Pumps



Capacity Data LM070 Part Load (2100 CFM)																	
Cooling									Heating								
Entering Water Temp (°F)	Water flow (GPM)	Pressure Drop PSI (FOH)	Entering Air Temp DB/WB (°F)	Total Capacity (MBTUH)	Sensible Capacity (MBTUH)	Heat of Rejection (MBTUH)	Power (kW)	EER	Entering Fluid Temp (°F)	Pressure Drop PSI (FOH)	Entering Air Temp (°F)	Total Capacity (MBTUH)	Heat of Absorption (MBTUH)	Power Input (kW)	COP		
50	9	0.8	75/63	56.7	47.8	65.9	2.7	21.0	30	0.9	60	38.7	30.4	3.3	3.44		
			80/67	60.2	49.6	69.5	2.7	22.3				70	38.6	27.0	3.6	3.11	
			85/71	64.1	50.8	73.4	2.7	23.7				80	38.0	24.7	4.0	2.75	
	13	1.6	75/63	58.4	48.7	67.1	2.5	23.2			60	1.7	60	40.9	30.0	3.3	3.62
			80/67	62.2	50.3	70.9	2.5	24.8					70	39.9	27.6	3.7	3.2
			85/71	66.2	51.6	74.8	2.5	26.5					80	39.2	26.4	4.1	2.83
	17.5	2.7	75/63	59.5	48.9	67.9	2.4	24.6			60	2.7	60	41.5	31.0	3.3	3.67
			80/67	63.5	50.5	71.8	2.4	26.5					70	41.5	31.0	3.7	3.32
			85/71	67.5	52.1	75.7	2.4	28.4					80	40.7	27.3	4.1	2.93
60	9	0.8	75/63	53.8	46.8	64.1	3.0	18.0	40	0.9	60	44.6	33.8	3.3	3.92		
			80/67	57.4	48.2	67.7	3.0	19.1				70	44.0	30.4	3.7	3.5	
			85/71	60.9	49.8	71.3	3.0	20.2				80	43.6	31.4	4.1	3.12	
	13	1.6	75/63	55.5	47.5	65.2	2.8	19.7			60	1.7	60	46.4	35.7	3.3	4.07
			80/67	59.2	49.0	68.8	2.8	21.1					70	45.1	35.1	3.7	3.57
			85/71	63.0	50.5	72.7	2.8	22.5					80	45.0	32.6	4.1	3.21
	17.5	2.7	75/63	56.6	47.7	65.9	2.7	20.9			60	2.7	60	47.9	36.1	3.3	4.19
			80/67	60.3	49.6	69.6	2.7	22.4					70	47.6	36.6	3.7	3.74
			85/71	64.2	51.2	73.5	2.7	24.0					80	45.4	32.7	4.1	3.23
70	9	0.8	75/63	50.9	45.7	62.3	3.3	15.3	50	0.8	60	50.7	39.5	3.4	4.4		
			80/67	54.4	47.1	65.8	3.4	16.2				70	49.4	37.3	3.7	3.88	
			85/71	57.8	48.7	69.3	3.4	17.2				80	48.4	35.5	4.1	3.42	
	13	1.6	75/63	52.7	46.1	63.4	3.1	16.8			60	1.6	60	52.9	41.9	3.4	4.58
			80/67	56.2	47.8	66.9	3.1	17.9					70	51.8	39.3	3.7	4.05
			85/71	59.7	49.7	70.5	3.1	19.0					80	50.6	37.4	4.2	3.57
	17.5	2.7	75/63	53.7	46.5	64.0	3.0	17.7			60	2.7	60	54.6	41.6	3.4	4.72
			80/67	57.3	48.2	67.6	3.0	19.0					70	53.4	40.6	3.8	4.16
			85/71	61.0	49.8	71.4	3.0	20.3					80	51.9	39.3	4.2	3.64
80	9	0.8	75/63	48.0	44.4	60.7	3.7	12.9	60	0.8	60	56.5	45.4	3.4	4.86		
			80/67	51.2	46.2	64.0	3.7	13.7				70	55.5	43.1	3.8	4.31	
			85/71	54.5	47.8	67.4	3.8	14.5				80	54.6	41.0	4.2	3.82	
	13	1.5	75/63	49.6	45.1	61.6	3.5	14.1			60	1.6	60	59.5	48.2	3.4	5.1
			80/67	53.0	46.7	65.0	3.5	15.1					70	58.3	45.9	3.8	4.5
			85/71	56.4	48.5	68.5	3.5	16.0					80	57.3	45.0	4.2	3.98
	17.5	2.7	75/63	50.6	45.4	62.1	3.4	14.9			60	2.7	60	61.4	50.4	3.4	5.24
			80/67	54.0	47.3	65.6	3.4	16.0					70	60.4	45.8	3.8	4.65
			85/71	57.6	49.0	69.2	3.4	17.1					80	59.0	42.9	4.2	4.1
90	9	0.8	75/63	45.1	43.3	59.2	4.2	10.9	70	0.8	60	63.0	51.9	3.4	5.37		
			80/67	48.2	45.1	62.3	4.2	11.5				70	61.9	49.5	3.8	4.75	
			85/71	51.2	47.1	65.5	4.2	12.2				80	60.8	47.0	4.2	4.21	
	13	1.5	75/63	46.6	43.9	59.9	3.9	11.8			60	1.6	60	66.5	55.5	3.5	5.65
			80/67	49.9	45.5	63.2	3.9	12.7					70	65.2	52.6	3.8	4.98
			85/71	53.2	47.3	66.6	3.9	13.5					80	64.0	49.8	4.3	4.4
	17.5	2.7	75/63	47.5	44.2	60.4	3.8	12.5			60	2.7	60	68.8	58.2	3.5	5.81
			80/67	50.8	46.1	63.8	3.8	13.4					70	67.4	54.7	3.9	5.13
			85/71	54.3	47.7	67.2	3.8	14.3					80	66.0	51.6	4.3	4.52
100	9	0.8	75/63	42.2	42.0	57.8	4.6	9.1	80	0.8	60	69.8	58.7	3.5	5.9		
			80/67	45.2	43.8	60.9	4.7	9.7				70	68.6	56.2	3.9	5.21	
			85/71	48.2	45.9	64.0	4.7	10.4				80	67.4	53.5	4.3	4.6	
	13	1.5	75/63	43.5	42.6	58.4	4.4	9.9			60	1.5	60	74.0	62.8	3.5	6.21
			80/67	46.6	44.6	61.5	4.4	10.6					70	72.4	59.9	3.9	5.46
			85/71	49.7	46.6	64.8	4.4	11.3					80	71.0	56.9	4.3	4.81
	17.5	2.7	75/63	44.4	43.0	58.8	4.3	10.4			60	2.7	60	76.9	65.0	3.5	6.43
			80/67	47.6	44.9	62.0	4.3	11.2					70	75.0	62.5	3.9	5.63
			85/71	50.7	46.9	65.3	4.3	11.9					80	73.4	59.2	4.3	4.96
110	9	0.8	75/63	39.9	39.9	57.3	5.2	7.7	Extended Range	0.8	60	69.8	58.7	3.5	5.9		
			80/67	42.4	42.4	59.8	5.2	8.2				70	68.6	56.2	3.9	5.21	
			85/71	45.0	45.0	62.5	5.2	8.7				80	67.4	53.5	4.3	4.6	
	13	1.5	75/63	40.8	40.8	57.4	4.9	8.3			60	1.5	60	74.0	62.8	3.5	6.21
			80/67	43.5	43.5	60.2	4.9	8.9					70	72.4	59.9	3.9	5.46
			85/71	46.5	45.6	63.2	4.9	9.5					80	71.0	56.9	4.3	4.81
	17.5	2.7	75/63	41.4	41.4	57.5	4.8	8.7			60	2.7	60	76.9	65.0	3.5	6.43
			80/67	44.2	44.0	60.4	4.8	9.3					70	75.0	62.5	3.9	5.63
			85/71	47.6	45.5	63.7	4.8	10.0					80	73.4	59.2	4.3	4.96

Extended Range - Anti-freeze required

AHRI/ISO13256-1 certified performance is rated at entering air conditions of 80.6°F DB and 66.2°F WB in cooling and 68°F DB in heating.

Tabulated unit performance does not include fan or pump power corrections required for AHRI/ISO standard performance ratings.

Unit performance may be interpolated. Extrapolation is not allowed.

For conditions other than rating conditions provided, consult the BST selection software.

Ratings below 40°F are with a methanol solution.

DISCLAIMER: The performance reported herein is based on testing by FHP. Variations in the installation and operational environment may alter performance. Bosch disclaims all warranties, express and implied, that the performance will be as reported, including the warranty of merchantability and fitness for purpose. In addition, continuous research and development may result in a change to an appliances design and specifications at the time of order, which Bosch may change without notice. Before purchase, confirm the design specifications of the appliance.

LM Model Series - Commercial Water Source Heat Pumps



BOSCH

LM024 Part Load - Temperature Pressure Operating Data									
Enter Fluid Temp (°F)	Water Flow (GPM/Ton)	Cooling				Heating			
		Suction Pressure (PSIG)	Discharge Pressure (PSIG)	Water Temp Rise °F	Air Temp Drop °F	Suction Pressure (PSIG)	Discharge Pressure (PSIG)	Water Temp Drop °F	Air Temp Rise °F
30	3	Operation Not Recommended				76-96	242-282	4-8	16-20
	6					72-92	236-276	1-5	17-21
40	3					97-117	255-295	5-9	19-23
	6					93-113	249-289	2-6	20-24
50	3	140-160	171-211	14-18	21-25	117-137	270-310	6-10	21-25
	6	135-155	154-194	6-10	22-26	113-133	263-303	3-7	23-27
60	3	143-163	210-250	13-17	21-25	138-158	283-323	8-12	24-28
	6	138-158	191-231	6-10	21-25	134-154	276-316	3-7	26-30
70	3	146-166	249-289	13-17	20-24	159-179	298-338	9-13	27-31
	6	141-161	228-268	6-10	21-25	155-175	290-330	4-8	29-33
80	3	148-168	289-329	12-16	20-24	179-199	311-351	11-15	31-35
	6	143-163	264-304	5-9	20-24	175-195	303-343	5-9	33-37
90	3	151-171	328-368	12-16	19-23	Operation Not Recommended			
	6	146-166	301-341	5-9	19-23				
100	3	154-174	367-407	11-15	18-22				
	6	149-169	337-377	5-9	19-23				

LM024 Full Load - Temperature Pressure Operating Data									
Enter Fluid Temp (°F)	Water Flow (GPM/Ton)	Cooling				Heating			
		Suction Pressure (PSIG)	Discharge Pressure (PSIG)	Water Temp Rise °F	Air Temp Drop °F	Suction Pressure (PSIG)	Discharge Pressure (PSIG)	Water Temp Drop °F	Air Temp Rise °F
30	3	Operation Not Recommended				71-91	264-304	6-10	18-22
	6					67-87	258-298	3-7	19-23
40	3					131-151	135-175	8-12	20-24
	6					127-147	129-169	3-7	22-26
50	3	134-154	179-219	20-24	22-26	133-153	173-213	9-13	23-27
	6	129-149	166-206	9-13	23-27	129-149	166-206	4-8	25-29
60	3	136-156	219-259	19-23	21-25	135-155	211-251	11-15	26-30
	6	131-151	204-244	9-13	22-26	131-151	204-244	5-9	29-33
70	3	138-158	258-298	19-23	21-25	137-157	249-289	13-17	30-34
	6	133-153	241-281	9-13	21-25	133-153	241-281	6-10	32-36
80	3	140-160	298-338	18-22	20-24	139-159	287-327	15-19	33-37
	6	135-155	279-319	8-12	21-25	135-155	279-319	7-11	36-40
90	3	142-162	337-377	17-21	19-23	Operation Not Recommended			
	6	137-157	316-356	8-12	20-24				
100	3	143-163	377-417	17-21	19-23				
	6	138-158	354-394	8-12	19-23				

LM Model Series - Commercial Water Source Heat Pumps



BOSCH

LM036 Part Load - Temperature Pressure Operating Data													
Enter Fluid Temp (°F)	Water Flow (GPM/Ton)	Cooling				Heating							
		Suction Pressure (PSIG)	Discharge Pressure (PSIG)	Water Temp Rise °F	Air Temp Drop °F	Suction Pressure (PSIG)	Discharge Pressure (PSIG)	Water Temp Drop °F	Air Temp Rise °F				
30	4.5	Operation Not Recommended				81-101	278-318	4-8	19-23				
	9					77-97	272-312	1-5	20-24				
40	4.5					97-117	294-334	5-9	22-26				
	9					93-113	288-328	2-6	23-27				
50	4.5					134-154	163-203	14-18	24-28	114-134	311-351	6-10	26-30
	9					129-149	149-189	6-10	25-29	110-130	304-344	2-6	27-31
60	4.5					136-156	202-242	13-17	23-27	131-151	327-367	7-11	29-33
	9					131-151	186-226	6-10	24-28	127-147	320-360	3-7	31-35
70	4.5					138-158	241-281	13-17	23-27	148-168	344-384	9-13	33-37
	9					133-153	223-263	5-9	23-27	144-164	336-376	4-8	35-39
80	4.5	140-160	280-320	12-16	22-26	165-185	360-400	10-14	36-40				
	9	135-155	259-299	5-9	22-26	161-181	352-392	5-9	39-43				
90	4.5	142-162	319-359	12-16	21-25	Operation Not Recommended							
	9	137-157	296-336	5-9	21-25								
100	4.5	144-164	358-398	11-15	20-24								
	9	139-159	333-373	5-9	21-25								

LM036 Full Load - Temperature Pressure Operating Data													
Enter Fluid Temp (°F)	Water Flow (GPM/Ton)	Cooling				Heating							
		Suction Pressure (PSIG)	Discharge Pressure (PSIG)	Water Temp Rise °F	Air Temp Drop °F	Suction Pressure (PSIG)	Discharge Pressure (PSIG)	Water Temp Drop °F	Air Temp Rise °F				
30	4.5	Operation Not Recommended				75-95	287-327	6-10	20-24				
	9					71-91	281-321	2-6	21-25				
40	4.5					91-111	305-345	8-12	23-27				
	9					87-107	299-339	3-7	24-28				
50	4.5					128-148	178-218	20-24	24-28	107-127	322-362	9-13	26-30
	9					123-143	164-204	9-13	24-28	103-123	316-356	4-8	28-32
60	4.5					131-151	217-257	19-23	23-27	124-144	340-380	11-15	29-33
	9					126-146	201-241	9-13	24-28	120-140	334-374	5-9	32-36
70	4.5					133-153	257-297	19-23	23-27	140-160	358-398	13-17	33-37
	9					128-148	239-279	9-13	23-27	136-156	352-392	6-10	36-40
80	4.5	135-155	298-338	18-22	22-26	157-177	376-416	14-18	36-40				
	9	130-150	277-317	8-12	22-26	153-173	370-410	7-11	40-44				
90	4.5	138-158	337-377	18-22	21-25	Operation Not Recommended							
	9	133-153	314-354	8-12	22-26								
100	4.5	140-160	377-417	17-21	21-25								
	9	135-155	352-392	8-12	21-25								

LM Model Series - Commercial Water Source Heat Pumps



BOSCH

LM048 Part Load - Temperature Pressure Operating Data													
Enter Fluid Temp (°F)	Water Flow (GPM/Ton)	Cooling				Heating							
		Suction Pressure (PSIG)	Discharge Pressure (PSIG)	Water Temp Rise °F	Air Temp Drop °F	Suction Pressure (PSIG)	Discharge Pressure (PSIG)	Water Temp Drop °F	Air Temp Rise °F				
30	6	Operation Not Recommended				75-95	259-299	4-8	16-20				
	12					71-91	253-293	1-5	17-21				
40	6					95-115	273-313	5-9	18-22				
	12					91-111	267-307	2-6	20-24				
50	6					137-157	175-215	14-18	28-32	116-136	288-328	6-10	21-25
	12					132-152	161-201	6-10	30-34	112-132	282-322	3-7	23-27
60	6					139-159	215-255	13-17	27-31	136-156	302-342	8-12	24-28
	12					134-154	199-239	6-10	28-32	132-152	296-336	3-7	26-30
70	6					141-161	255-295	13-17	25-29	157-177	317-357	9-13	27-31
	12					136-156	237-277	6-10	26-30	153-173	311-351	4-8	29-33
80	6	143-163	297-337	12-16	23-27	177-197	331-371	11-15	30-34				
	12	138-158	276-316	5-9	24-28	173-193	325-365	5-9	33-37				
90	6	145-165	337-377	12-16	22-26	Operation Not Recommended							
	12	140-160	314-354	5-9	23-27								
100	6	147-167	377-417	11-15	20-24								
	12	142-162	352-392	5-9	21-25								

LM048 Full Load - Temperature Pressure Operating Data													
Enter Fluid Temp (°F)	Water Flow (GPM/Ton)	Cooling				Heating							
		Suction Pressure (PSIG)	Discharge Pressure (PSIG)	Water Temp Rise °F	Air Temp Drop °F	Suction Pressure (PSIG)	Discharge Pressure (PSIG)	Water Temp Drop °F	Air Temp Rise °F				
30	6	Operation Not Recommended				72-92	282-322	6-10	18-22				
	12					68-88	276-316	2-6	19-23				
40	6					91-111	298-338	8-12	21-25				
	12					87-107	292-332	3-7	22-26				
50	6					128-148	189-229	19-23	30-34	110-130	313-353	9-13	24-28
	12					123-143	175-215	9-13	32-36	106-126	307-347	4-8	26-30
60	6					130-150	231-271	19-23	29-33	128-148	329-369	11-15	27-31
	12					125-145	215-255	9-13	30-34	124-144	323-363	5-9	29-33
70	6					132-152	273-313	18-22	27-31	147-167	345-385	13-17	30-34
	12					127-147	255-295	8-12	29-33	143-163	339-379	6-10	33-37
80	6	134-154	315-355	18-22	26-30	166-186	361-401	15-19	34-38				
	12	129-149	294-334	8-12	27-31	162-182	355-395	7-11	37-41				
90	6	136-156	357-397	17-21	24-28	Operation Not Recommended							
	12	131-151	334-374	8-12	26-30								
100	6	138-158	399-439	16-20	23-27								
	12	133-153	374-414	7-11	24-28								

LM Model Series - Commercial Water Source Heat Pumps



BOSCH

LM060 Part Load - Temperature Pressure Operating Data													
Enter Fluid Temp (°F)	Water Flow (GPM/Ton)	Cooling				Heating							
		Suction Pressure (PSIG)	Discharge Pressure (PSIG)	Water Temp Rise °F	Air Temp Drop °F	Suction Pressure (PSIG)	Discharge Pressure (PSIG)	Water Temp Drop °F	Air Temp Rise °F				
30	7.5	Operation Not Recommended				77-97	268-308	4-8	17-21				
	15					73-93	262-302	1-5	18-22				
40	7.5					94-114	283-323	5-9	19-23				
	15					90-110	277-317	2-6	21-25				
50	7.5					137-157	173-213	14-18	29-33	111-131	298-338	7-11	22-26
	15					132-152	159-199	6-10	31-35	107-127	292-332	3-7	24-28
60	7.5					139-159	213-253	14-18	28-32	129-149	313-353	8-12	26-30
	15					134-154	197-237	6-10	29-33	125-145	307-347	3-7	27-31
70	7.5	141-161	253-293	13-17	26-30	146-166	328-368	10-14	29-33				
	15	136-156	235-275	6-10	27-31	142-162	322-362	4-8	31-35				
80	7.5	143-163	294-334	12-16	24-28	164-184	343-383	11-15	32-36				
	15	138-158	273-313	5-9	25-29	160-180	337-377	5-9	35-39				
90	7.5	145-165	334-374	12-16	23-27	Operation Not Recommended							
	15	140-160	311-351	5-9	24-28								
100	7.5	147-167	374-414	11-15	21-25								
	15	142-162	349-389	5-9	22-26								

LM060 Full Load - Temperature Pressure Operating Data													
Enter Fluid Temp (°F)	Water Flow (GPM/Ton)	Cooling				Heating							
		Suction Pressure (PSIG)	Discharge Pressure (PSIG)	Water Temp Rise °F	Air Temp Drop °F	Suction Pressure (PSIG)	Discharge Pressure (PSIG)	Water Temp Drop °F	Air Temp Rise °F				
30	7.5	Operation Not Recommended				71-91	293-333	7-11	19-23				
	15					67-87	287-327	3-7	20-24				
40	7.5					89-109	311-351	8-12	22-26				
	15					85-105	305-345	3-7	23-27				
50	7.5					126-146	185-225	20-24	31-35	106-126	329-369	10-14	25-29
	15					121-141	171-211	9-13	32-36	102-122	323-363	4-8	27-31
60	7.5					128-148	226-266	19-23	29-33	124-144	347-387	11-15	28-32
	15					123-143	210-250	9-13	31-35	120-140	341-381	5-9	30-34
70	7.5	130-150	267-307	19-23	28-32	142-162	365-405	13-17	31-35				
	15	125-145	249-289	9-13	29-33	138-158	359-399	6-10	34-38				
80	7.5	132-152	309-349	18-22	27-31	160-180	383-423	15-19	35-39				
	15	127-147	288-328	8-12	28-32	156-176	377-417	8-12	38-42				
90	7.5	134-154	350-390	17-21	25-29	Operation Not Recommended							
	15	129-149	327-367	8-12	26-30								
100	7.5	135-155	391-431	17-21	24-28								
	15	130-150	366-406	8-12	25-29								

LM Model Series - Commercial Water Source Heat Pumps



BOSCH

LM070 Part Load - Temperature Pressure Operating Data													
Enter Fluid Temp (°F)	Water Flow (GPM/Ton)	Cooling				Heating							
		Suction Pressure (PSIG)	Discharge Pressure (PSIG)	Water Temp Rise °F	Air Temp Drop °F	Suction Pressure (PSIG)	Discharge Pressure (PSIG)	Water Temp Drop °F	Air Temp Rise °F				
30	9	Operation Not Recommended				72-92	267-307	4-8	17-21				
	18					68-88	261-301	1-5	18-22				
40	9					91-111	283-323	5-9	20-24				
	18					87-107	277-317	2-6	21-25				
50	9					130-150	173-213	14-18	29-33	109-129	299-339	6-10	23-27
	18					125-145	159-199	6-10	31-35	105-125	293-333	3-7	25-29
60	9					132-152	213-253	13-17	28-32	128-148	315-355	8-12	26-30
	18					127-147	197-237	6-10	29-33	124-144	309-349	3-7	27-31
70	9					134-154	253-293	13-17	26-30	147-167	331-371	9-13	30-34
	18					129-149	235-275	6-10	28-32	143-163	325-365	4-8	32-36
80	9	137-157	294-334	12-16	25-29	165-185	347-387	11-15	34-38				
	18	132-152	273-313	5-9	26-30	161-181	341-381	5-9	36-40				
90	9	139-159	334-374	12-16	23-27	Operation Not Recommended							
	18	134-154	311-351	5-9	24-28								
100	9	142-162	374-414	11-15	22-26								
	18	137-157	349-389	5-9	23-27								

LM070 Full Load - Temperature Pressure Operating Data													
Enter Fluid Temp (°F)	Water Flow (GPM/Ton)	Cooling				Heating							
		Suction Pressure (PSIG)	Discharge Pressure (PSIG)	Water Temp Rise °F	Air Temp Drop °F	Suction Pressure (PSIG)	Discharge Pressure (PSIG)	Water Temp Drop °F	Air Temp Rise °F				
30	9	Operation Not Recommended				69-89	289-329	6-10	18-22				
	18					65-85	283-323	2-6	20-24				
40	9					85-105	307-347	7-11	21-25				
	18					81-101	301-341	3-7	23-27				
50	9					123-143	185-225	18-22	29-33	101-121	325-365	9-13	24-28
	18					118-138	171-211	9-13	31-35	97-117	319-359	4-8	26-30
60	9					125-145	226-266	18-22	28-32	118-138	342-382	11-15	27-31
	18					120-140	210-250	8-12	29-33	114-134	336-376	5-9	29-33
70	9					127-147	268-308	17-21	27-31	134-154	360-400	12-16	31-35
	18					122-142	250-290	8-12	28-32	130-150	354-394	6-10	34-38
80	9	130-150	311-351	17-21	25-29	151-171	378-418	14-18	34-38				
	18	125-145	290-330	8-12	27-31	147-167	372-412	7-11	38-42				
90	9	132-152	353-393	16-20	24-28	Operation Not Recommended							
	18	127-147	330-370	7-11	25-29								
100	9	134-154	394-434	16-20	23-27								
	18	129-149	369-409	7-11	24-28								

LM Model Series - Commercial Water Source Heat Pumps



BOSCH

Electrical Data - ECM Constant Torque Blower Motor									
Model	Voltage Code	Voltage/ Hz/ Phase	Voltage Min/Max	Compressor			Single Point Power		
				Qty	RLA	LRA	FLA	Min Circuit Amps	MOP
LM024	1	208-230/60/1	197/253	1	11.7	58.3	2.8	17.4	25
	2	265-277/ 60 / 1	-	1	9.1	54.0	2.6	14.0	20
	3	208-230/ 60 / 3	197/253	1	6.5	55.4	2.8	10.9	15
	4	460/60/3	-	1	3.5	28.0	2.1	6.4	15
LM036	1	208-230/60/1	197/253	1	15.6	83.0	6.0	25.5	40
	2	265-277/ 60 / 1	-	1	13.0	72.0	4.9	21.2	30
	3	208-230/ 60 / 3	197/253	1	11.6	73.0	6.0	20.5	30
	4	460/60/3	-	1	5.7	38.0	3.2	10.4	15
LM048	1	208-230/60/1	197/253	1	21.2	104.0	6.0	32.4	50
	3	208-230/ 60 / 3	197/253	1	14.0	83.1	6.0	23.5	35
	4	460/60/3	-	1	6.4	41.0	3.2	11.3	15
LM060	1	208-230/60/1	197/253	1	26.9	139.9	7.6	41.2	60
	3	208-230/ 60 / 3	197/253	1	16.5	110.0	7.6	28.3	40
	4	460/60/3	-	1	7.2	52.0	4.0	13.1	20
LM070	1	208-230/60/1	197/253	1	29.7	179.2	7.6	44.7	70
	3	208-230/ 60 / 3	197/253	1	17.6	136.0	7.6	29.6	45
	4	460/60/3	-	1	8.5	66.1	4.0	14.6	20

Electrical Data - ECM Constant Airflow Blower Motor									
Model	Voltage Code	Voltage/ Hz/ Phase	Voltage Min/Max	Compressor			Single Point Power		
				Qty	RLA	LRA	FLA	Min Circuit Amps	MOP
LM024	1	208-230/60/1	197/253	1	11.7	58.3	2.8	17.4	25
	2	265-277/ 60 / 1	-	1	9.1	54.0	2.6	14.0	20
	3	208-230/ 60 / 3	197/253	1	6.5	55.4	2.8	10.9	15
	4	460/60/3	-	1	3.5	28.0	2.6	6.9	15
LM036	1	208-230/60/1	197/253	1	15.6	83.0	6.8	25.5	40
	2	265-277/ 60 / 1	-	1	13.0	72.0	5.5	21.8	35
	3	208-230/ 60 / 3	197/253	1	11.6	73.0	6.8	21.3	30
	4	460/60/3	-	1	5.7	38.0	5.5	12.6	15
LM048	1	208-230/60/1	197/253	1	21.2	104.0	6.8	33.2	50
	3	208-230/ 60 / 3	197/253	1	14.0	83.1	6.8	24.3	35
	4	460/60/3	-	1	6.4	41.0	5.5	13.5	15
LM060	1	208-230/60/1	197/253	1	26.9	139.9	9.1	41.2	60
	3	208-230/ 60 / 3	197/253	1	16.5	110.0	9.1	29.8	45
	4	460/60/3	-	1	7.2	52.0	6.9	16.0	20
LM070	1	208-230/60/1	197/253	1	29.7	179.2	9.1	46.2	70
	3	208-230/ 60 / 3	197/253	1	17.6	136.0	9.1	31.1	45
	4	460/60/3	-	1	8.5	66.1	6.9	17.5	25

LM Model Series - Commercial Water Source Heat Pumps



1st Data Plate for Compressor Power Connection

Model	Voltage Code	Voltage/ Hz/ Phase	Voltage Min/Max	Compressor			Min Circuit Amps	Max Fuse/ HACR
				Qty	RLA	LRA		
LM024	1	208-230/60/1	197/253	1	11.7	58.3	14.6	25
LM036	1	208-230/60/1	197/253	1	15.6	83.0	19.5	35
LM048	1	208-230/60/1	197/253	1	21.2	104.0	26.5	45
LM060	1	208-230/60/1	197/253	1	26.9	139.9	33.6	60
LM070	1	208-230/60/1	197/253	1	29.7	179.2	37.1	60

Electrical Data - For Units with EH Option - Constant Torque ECM Motor

Model	EH RATED kW	STAGE	Heater Watts		Heater AMPS		Motor FLA (A)	Circuit Fuses	MCA		MOP	
			240	208	240V	208V			240V	208V	240V	208V
LM024	4.8	1	4,800	3,600	20.0	17.3	2.8	-	28.5	25.1	30	30
LM036	4.8	1	4,800	3,600	20.0	17.3	6.0	-	32.5	29.1	35	30
LM036	9.6	1	9,600	7,200	40.0	34.6	6.0	-	57.5	50.8	60	60
LM048	4.8	1	4,800	3,600	20.0	17.3	6.0	-	32.5	29.1	35	30
LM048	9.6	1	9,600	7,200	40.0	34.6	6.0	-	57.5	50.8	60	60
LM048	14.4	2	14400	10800	60	51.9	6	F1/F2	82.5	72.4	90	80
								F3/F4				
LM060	4.8	1	4,800	3,600	20.0	17.3	7.6	-	34.5	31.1	35	35
LM060	9.6	1	9,600	7,200	40.0	34.6	7.6	-	59.5	52.8	60	60
LM060	14.4	2	14400	10800	60	51.9	7.6	F1/F2	84.5	74.4	90	80
								F3/F4				
LM060	19.2	2	19200	14000	80	69.2	7.6	F1/F2	109.5	96.0	110	100
								F3/F4				
LM070	4.8	1	4,800	3,600	20.0	17.3	7.6	-	34.5	31.1	35	35
LM070	9.6	1	9,600	7,200	40.0	34.6	7.6	-	59.5	52.8	60	60
LM070	14.4	2	14400	10800	60	51.9	7.6	F1/F2	84.5	74.4	90	80
								F3/F4				
LM070	19.2	2	19200	14000	80	69.2	7.6	F1/F2	109.5	96.0	110	100
								F3/F4				

LM Model Series - Commercial Water Source Heat Pumps



BOSCH

Electrical Data - For Units with EH Option - Constant Airflow ECM motor

Model	EH RATED kW	STAGE	Heater Watts		Heater AMPS		Motor FLA (A)	Circuit Fuses	MCA		MOP	
			240	208	240V	208V			240V	208V	240V	208V
LM024	4.8	1	4,800	3,600	20.0	17.3	2.8	-	28.5	25.1	30	30
LM036	4.8	1	4,800	3,600	20.0	17.3	6.8	-	33.5	30.1	35	35
LM036	9.6	1	9,600	7,200	40.0	34.6	6.8	-	58.5	51.8	60	60
LM048	4.8	1	4,800	3,600	20.0	17.3	6.8	-	33.5	30.1	35	35
LM048	9.6	1	9,600	7,200	40.0	34.6	6.8	-	58.5	51.8	60	60
LM048	14.4	2	14400	10800	60	51.9	6.8	F1/F2	83.5	73.4	90	80
								F3/F4				
LM060	4.8	1	4,800	3,600	20.0	17.3	9.1	-	36.4	33.0	40	35
LM060	9.6	1	9,600	7,200	40.0	34.6	9.1	-	61.4	54.6	70	60
LM060	14.4	2	14400	10800	60	51.9	9.1	F1/F2	86.4	76.3	90	80
								F3/F4				
LM060	19.2	2	19200	14000	80	69.2	9.1	F1/F2	111.4	97.9	125	100
								F3/F4				
LM070	4.8	1	4,800	3,600	20.0	17.3	9.1	-	36.4	33.0	40	35
LM070	9.6	1	9,600	7,200	40.0	34.6	9.1	-	61.4	54.6	70	60
LM070	14.4	2	14400	10800	60	51.9	9.1	F1/F2	86.4	76.3	90	80
								F3/F4				
LM070	19.2	2	19200	14000	80	69.2	9.1	F1/F2	111.4	97.9	125	100
								F3/F4				

LM Model Series - Commercial Water Source Heat Pumps



Blower Performance ECM Const Torque Motor - X13															
Model	Fan Speed	Rated Airflow	Factory Setting	Available External Static Pressure (in. wc. Wet coil and filter included)											
				0.10	0.20	0.30	0.40	0.50	0.60	0.70	0.80	0.90	1.00	1.10	1.20
24	5	950		1154	1117	1077	1034	988	938	886	830	-	-	-	-
	4	825	FL	1072	1018	966	915	866	818	772	727	-	-	-	-
	3	725		976	920	867	815	766	719	674	631	-	-	-	-
	2	650	PL/Fan only	906	844	785	730	678	630	585	544	-	-	-	-
	1	500		829	750	676	610	551	498	451	412	-	-	-	-
36	5	1300		1506	1469	1430	1390	1347	1300	1249	1193	1130	1061	-	-
	4	1100	FL	1425	1326	1250	1191	1143	1100	1056	1006	942	860	-	-
	3	950		1354	1233	1138	1063	1002	950	901	850	791	719	-	-
	2	800	PL/Fan only	1294	1157	1041	946	866	800	744	696	653	611	-	-
	1	750		1213	1084	976	886	812	750	698	653	612	573	-	-
48	5	1800		1950	1912	1880	1852	1826	1800	1771	1737	1695	1644	-	-
	4	1600	FL	1774	1738	1703	1669	1635	1600	1562	1521	1475	1423	-	-
	3	1400		1565	1526	1493	1463	1432	1400	1363	1319	1265	1199	-	-
	2	1300	PL/Fan only	1506	1469	1430	1390	1347	1300	1249	1193	1130	1061	-	-
	1	1100		1425	1326	1250	1191	1143	1100	1056	1006	942	860	-	-
60	5	2200		2476	2403	2338	2283	2237	2200	2172	2153	2142	2141	2149	2166
	4	2000	FL	2170	2135	2100	2066	2033	2000	1968	1937	1907	1877	1848	1819
	3	1800		1942	1914	1886	1858	1829	1800	1770	1741	1710	1680	1649	1617
	2	1600	PL/Fan only	1766	1729	1693	1660	1629	1600	1573	1548	1526	1505	1487	1470
	1	1400		1561	1520	1483	1451	1423	1400	1381	1366	1356	1350	1349	1352
70	5	2500		2723	2671	2622	2578	2537	2500	2467	2437	2412	2390	2372	2358
	4	2350	FL	2566	2529	2489	2446	2399	2350	2298	2242	2184	2122	2057	1990
	3	2100		2256	2230	2202	2171	2137	2100	2060	2017	1971	1922	1871	1816
	2	1850	PL/Fan only	2004	1975	1945	1915	1883	1850	1816	1781	1745	1708	1669	1630
		1600		1766	1728	1693	1660	1629	1600	1573	1548	1526	1505	1486	1470

LM Model Series - Commercial Water Source Heat Pumps



Blower Performance ECM Const CFM Motor - Eon														
Model	Fan Speed	Rated Airflow	Adjust	Tap	Available External Static Pressure (in. wc. Wet coil and filter included)									
					0.10	0.20	0.30	0.40	0.50	0.60	0.70	0.80	0.90	1.00
024 Part Load	Hi	725	+	A	725	725	725	725	725	725	725	725	-	-
	Med	650	Normal	A	650	650	650	650	650	650	650	650	-	-
	Low	500	-	A	500	500	500	500	500	500	500	500	-	-
024 Full Load	Hi	950	+	A	950	950	950	950	950	950	950	950	-	-
	Med	825	Normal	A	825	825	825	825	825	825	825	825	-	-
	Low	725	-	A	725	725	725	725	725	725	725	725	-	-
036 Part Load	Hi	950	+	A	950	950	950	950	950	950	950	950	950	950
	Med	800	Normal	A	800	800	800	800	800	800	800	800	800	800
	Low	750	-	A	750	750	750	750	750	750	750	750	750	750
036 Full Load	Hi	1300	+	A	1300	1300	1300	1300	1300	1300	1300	1300	1300	1300
	Med	1100	Normal	A	1100	1100	1100	1100	1100	1100	1100	1100	1100	1100
	Low	950	-	A	950	950	950	950	950	950	950	950	950	950
048 Part Load	Hi	1400	+	A	1400	1400	1400	1400	1400	1400	1400	1400	1400	1400
	Med	1300	Normal	A	1300	1300	1300	1300	1300	1300	1300	1300	1300	1300
	Low	1100	-	A	1100	1100	1100	1100	1100	1100	1100	1100	1100	1100
048 Full Load	Hi	1800	+	A	1800	1800	1800	1800	1800	1800	1800	1800	1800	1800
	Med	1600	Normal	A	1600	1600	1600	1600	1600	1600	1600	1600	1600	1600
	Low	1400	-	A	1400	1400	1400	1400	1400	1400	1400	1400	1400	1400
060 Part Load	Hi	1800	+	A	1800	1800	1800	1800	1800	1800	1800	1800	1800	1800
	Med	1600	Normal	A	1600	1600	1600	1600	1600	1600	1600	1600	1600	1600
	Low	1400	-	A	1400	1400	1400	1400	1400	1400	1400	1400	1400	1400
060 Full Load	Hi	2200	+	A	2200	2200	2200	2200	2200	2200	2200	2200	2200	2200
	Med	2000	Normal	A	2000	2000	2000	2000	2000	2000	2000	2000	2000	2000
	Low	1800	-	A	1800	1800	1800	1800	1800	1800	1800	1800	1800	1800
070 Part Load	Hi	2100	+	A	2100	2100	2100	2100	2100	2100	2100	2100	2100	2100
	Med	1850	Normal	A	1850	1850	1850	1850	1850	1850	1850	1850	1850	1850
	Low	1600	-	A	1600	1600	1600	1600	1600	1600	1600	1600	1600	1600
070 Full Load	Hi	2500	+	A	2500	2500	2500	2500	2500	2500	2500	2500	2500	2500
	Med	2350	Normal	A	2350	2350	2350	2350	2350	2350	2350	2350	2350	2350
	Low	2100	-	A	2100	2100	2100	2100	2100	2100	2100	2100	2100	2100

LM Model Series - Commercial Water Source Heat Pumps



Physical Data					
Description	024	036	048	060	070
Compressor Type (Qty 1)	Scroll	Scroll	Scroll	Scroll	Scroll
Refrigeration Charge VT and CF (oz)	58	98	88	110	114
Refrigeration Charge HZ only (oz)	58	85	77	100	114
Max Water Working Pressure (PSIG/kPa)	450/3100	450/3100	450/3100	450/3100	450/3100
ECM Const Torque - X13 Fan Motor & Blower					
Fan Motor Type/Speeds	ECM Const Torque / 5 speed	ECM Const Torque / 5 speed	ECM Const Torque / 5 speed	ECM Const Torque / 5 speed	ECM Const Torque / 5 speed
Fan Motor (HP)	0.33	0.75	0.75	1.00	1.00
Blower Wheel Size (Dia. x W)	10 X 8	11 X 9	11 X 9	11 X 11	11 X 11
ECM Const AirFlow -Eon Fan Motor & Blower					
Fan Motor Type/Speeds	ECM Const Air Flow	ECM Const Air Flow	ECM Const Air Flow	ECM Const Air Flow	ECM Const Air Flow
Fan Motor (HP)	0.33	0.75	0.75	1.00	1.00
Blower Wheel Size (Dia. x W)	10 X 8	11 X 9	11 X 9	11 X 11	11 X 11
Water Connection Size					
FPT	3/4"	1.0"	1.0"	1.0"	1.0"
Coaxial Coil Volume (gal)	0.33	1.18	0.62	1.07	1.12
Vertical Cabinet					
Air Coil Dimensions (H x W)	24 X 20	32 X 26	32 X 26	38 X 26	38 x 26
Nominal size of Standard Filter - 2" MERV11 (L x H)	24 X 24 (1)	16 X 30 (2)	16 X 30 (2)	20 X 30 (2)	20 X 30 (2)
Weight - Operating (lbs)	250	360	340	410	440
Weight - Shipping (lbs)	350	475	450	530	560
Horizontal Cabinet					
Air Coil Dimensions (H x W)	18 X 31.5	20 X 42	20 X 42	20 X 49	20 X 49
Nominal size of Standard Filter - 2" MERV11 (L x H)	18 X 18 (2)	20 X 24 (2)	20 X 24 (2)	18 X 20 (3)	18 X 20 (3)
Weight - Operating (lbs)	260	375	355	430	460
Weight - Shipping (lbs)	360	495	470	550	580

LM Model Series -
Commercial Water Source Heat Pumps



Horizontal Cabinet Corner Weights										
Configuration			Left Hand Evaporator				Right Hand Evaporator			
Model	Unit	Total	Left Front*	Right Front*	Left Back	Right Back	Left Front*	Right Front*	Left Back	Right Back
LM024	Lbs	283	60	74	68	61	60	74	61	68
	kg	128	27	34	31	28	27	33	28	31
LM036	Lbs	385	94	104	95	92	94	104	92	95
	kg	174	43	47	43	42	42	47	42	43
LM048	Lbs	361	84	109	88	81	84	109	81	88
	kg	164	38	49	40	37	38	49	37	40
LM060	Lbs	440	107	124	104	105	107	124	105	104
	kg	199	48	56	47	48	48	56	47	47
LM070	Lbs	469	117	136	105	111	117	136	111	105
	kg	212	53	62	48	50	53	62	50	48

*Front is control box end