



SPECIFICATION DATA SHEET

FLORIDA HEAT PUMP HIGH-EFFICIENCY WATER SOURCE HEAT PUMPS

SL080

SUPER LO-TEMP

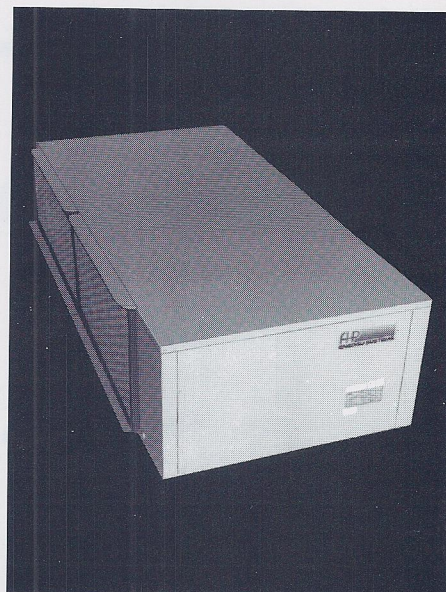
ELECTRICAL SPECIFICATIONS

Electrical Characteristics	Elect. Sym.	Compressor, each		Blower		Min. Circuit Ampacity	Fuse (T/D) HACR Cir. Bkr.
		RLA	LRA	NPA	H.P.		
208/230-1-60	- 1	15.4	81.0	7.5	1.0	42.2	50
208/230-3-60	- 3	10.3	70.0	3.6	1.0	26.8	35
460-3-60	- 4	5.2	30.0	1.8	1.0	13.5	15
N/A	N/A	N/A	N/A	N/A	N/A	N/A	N/A

Dual circuits feature 2-stage operation. Complete package includes 2 each compressors, reversing valves, expansion valve metering devices and water-to-refrigerant condensers. Contains safety controls: overload motor protection, high and low refrigerant pressure switches and a lock-out impedance relay. Beige finish.

MECHANICAL SPECIFICATIONS

EVAPORATOR				BLOWN. SIZE	WEIGHT	
SQUARE FEET	ROWS DEEP	TUBE SIZE	FPI		NET	SHIP
7.0	2	3/8	14	12 x 12	495	540



ARI/CSA PERFORMANCE DATA

COOLING (ARI 325 CERTIFIED)					HEATING (ARI 325 CERTIFIED)					ARI 330/CSA-C446 CERTIFIED					
HIGH TEMP		LOW TEMP			HIGH TEMP		LOW TEMP			COOLING			HEATING		
BTUH	EER	BTUH	EER	GPM	BTUH	COP	BTUH	COP	GPM	BTUH	EER	GPM	BTUH	COP	GPM
77,000	11.9	84,000	14.9	13.0	91,000	3.8	68,000	3.3	13.0	72,000	11.8	13.0	52,000	3.1	13.0

CAPACITY DATA: All performance at 2300 CFM (ARI Rated CFM)

EWT °F	GPM	COOLING								HEATING					
		Ent. Air W.B., °F	Total BTUH	Watts Input	Heat Rej. BTUH	Sensible BTUH, at ent. air dry bulb, °F			EER	WPD Ft. Hd.	Ent. Air D.B., °F	Htg. BTUH	Heat of Absorp. BTUH	Watts Input	COP
						75	80	85							
45	10	63	77.7	4449	95.5	59.5	74.8	-	17.5	4.9	60	65.5	48.9	4872	3.9
		67	82.5	4489	100.6	50.3	65.6	82.3	18.4		70	61.0	44.2	4882	3.6
		71	87.8	4526	106.2	26.7	52.0	68.7	19.4		80	58.0	41.3	4897	3.5
	13	63	80.7	4329	95.5	60.5	76.2	-	18.6	7.9	60	67.4	50.8	4856	4.1
		67	85.7	4368	100.6	51.2	66.8	83.8	19.6		70	63.6	46.6	4955	3.8
		71	91.2	4404	106.2	27.2	53.0	69.9	20.7		80	60.4	43.2	5046	3.5
	16	63	83.7	4209	95.5	61.6	77.6	-	19.9	11.4	60	68.9	52.3	4841	4.2
		67	88.9	4247	100.6	52.1	68.0	85.3	20.9		70	64.9	48.1	4940	3.9
		71	94.6	4282	106.2	27.7	53.9	71.2	22.1		80	61.8	44.7	5031	3.6
50	10	63	76.1	4702	94.7	58.3	73.3	-	16.2	4.9	60	70.1	53.0	5016	4.1
		67	80.7	4746	99.8	49.3	64.3	80.7	17.0		70	65.1	47.9	5025	3.8
		71	86.0	4785	105.3	26.2	51.0	67.3	18.0		80	62.2	44.4	5221	3.5
	13	63	79.1	4576	94.7	59.4	74.7	-	17.3	7.9	60	72.1	55.0	5000	4.2
		67	84.0	4618	99.8	50.2	65.5	82.2	18.2		70	68.0	50.6	5102	3.9
		71	89.4	4656	105.3	26.6	51.9	68.6	19.2		80	63.9	46.2	5204	3.6
	16	63	82.1	4449	94.7	60.4	76.0	-	18.4	11.4	60	74.0	57.0	4983	4.4
		67	87.1	4490	99.8	51.1	66.7	83.6	19.4		70	70.9	53.3	5178	4.0
		71	92.7	4527	105.3	27.1	52.8	69.8	20.5		80	65.6	47.9	5187	3.7
60	10	63	73.1	5133	93.0	55.7	70.7	-	14.2	4.9	60	78.8	59.2	5754	4.0
		67	77.5	5182	97.7	47.2	61.7	77.5	15.0		70	74.4	54.3	5872	3.7
		71	82.5	5224	103.1	24.3	48.7	65.1	15.8		80	69.9	49.5	5991	3.4
	13	63	75.9	4995	93.0	56.7	72.0	-	15.2	7.9	60	81.0	61.4	5737	4.1
		67	80.5	5043	97.7	48.1	62.8	79.4	16.0		70	76.4	56.5	5854	3.8
		71	85.7	5083	103.1	25.0	49.6	66.3	16.9		80	71.9	51.5	5971	3.5
	16	63	78.7	4856	93.0	57.7	73.3	-	16.2	11.4	60	83.2	63.7	5720	4.3
		67	83.5	4903	97.7	49.0	63.9	80.9	17.0		70	78.5	58.6	5837	3.9
		71	88.9	4942	103.1	25.4	50.5	67.4	18.0		80	73.8	53.5	5952	3.6
70	10	63	69.8	5567	91.0	53.4	67.2	-	12.5	4.9	60	91.6	71.9	5796	4.6
		67	74.1	5618	95.7	45.2	59.0	74.0	13.2		70	86.4	66.3	5915	4.3
		71	78.9	5665	100.7	24.0	46.7	61.7	13.9		80	81.3	60.7	6033	3.9
	13	63	72.5	5417	91.0	54.4	68.5	-	13.4	7.9	60	96.5	76.3	5915	4.8
		67	77.0	5467	95.7	46.0	60.1	75.3	14.1		70	91.0	70.4	6035	4.4
		71	81.9	5512	100.7	24.4	47.6	62.8	14.9		80	85.5	64.5	6156	4.1
	16	63	75.2	5267	91.0	55.4	69.7	-	14.3	11.4	60	101.3	80.7	6033	4.9
		67	79.9	5316	95.7	46.8	61.1	76.6	15.0		70	95.6	74.5	6156	4.5
		71	85.0	5359	100.7	24.7	48.4	63.9	15.9		80	89.8	68.4	6279	4.2
85	10	63	61.4	6294	84.7	46.7	59.6	-	9.8	4.9	-	-	-	-	-
		67	65.1	6353	88.7	39.7	51.8	65.1	10.2		-	-	-	-	-
		71	69.3	6405	93.3	20.4	40.9	54.9	10.8		-	-	-	-	-
	13	63	63.8	6125	84.7	47.6	60.7	-	10.4	7.9	-	-	-	-	-
		67	67.6	6182	88.7	40.4	52.8	67.0	10.9		-	-	-	-	-
		71	72.0	6232	93.3	20.8	41.6	55.9	11.6		-	-	-	-	-
	16	63	66.2	5955	84.7	48.4	61.8	-	11.1	11.4	-	-	-	-	-
		67	70.2	6011	88.7	41.4	53.7	68.2	11.7		-	-	-	-	-
		71	74.7	6060	93.3	21.1	42.4	56.9	12.3		-	-	-	-	-
100	10	63	54.3	7024	79.7	40.6	53.5	-	7.7	4.9	-	-	-	-	-
		67	57.2	7091	83.0	34.9	45.6	57.2	8.1		-	-	-	-	-
		71	61.1	7148	87.2	16.6	35.6	49.6	8.5		-	-	-	-	-
	13	63	56.4	6834	79.7	41.3	54.5	-	8.2	7.9	-	-	-	-	-
		67	59.5	6900	83.0	35.5	46.4	59.5	8.6		-	-	-	-	-
		71	61.9	6956	87.2	61.9	36.2	50.5	9.1		-	-	-	-	-
	16	63	58.5	6645	79.7	42.1	55.5	-	8.8	11.4	-	-	-	-	-
		67	61.7	6709	83.1	36.2	47.2	61.7	9.2		-	-	-	-	-
		71	65.9	6763	87.2	17.2	36.9	51.4	9.7		-	-	-	-	-

ALL BTUH ARE THOUSANDS

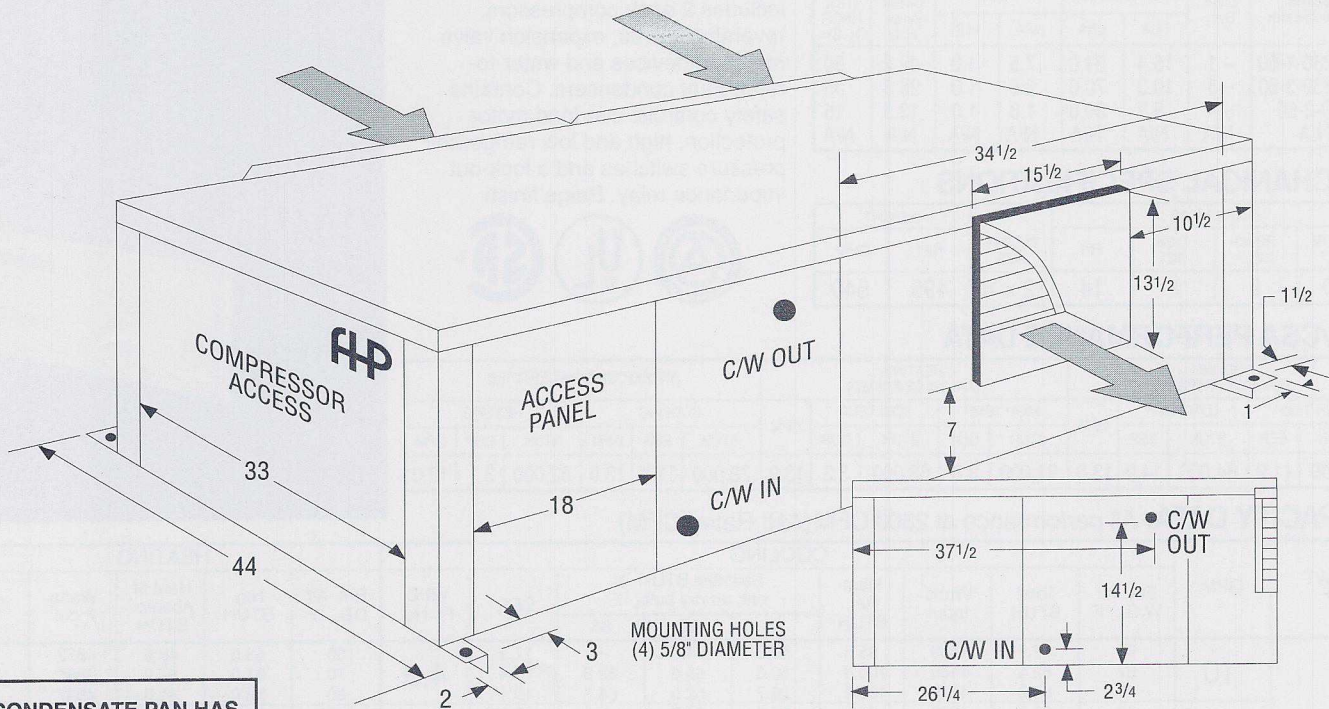
SL080

SUPER LO-TEMP

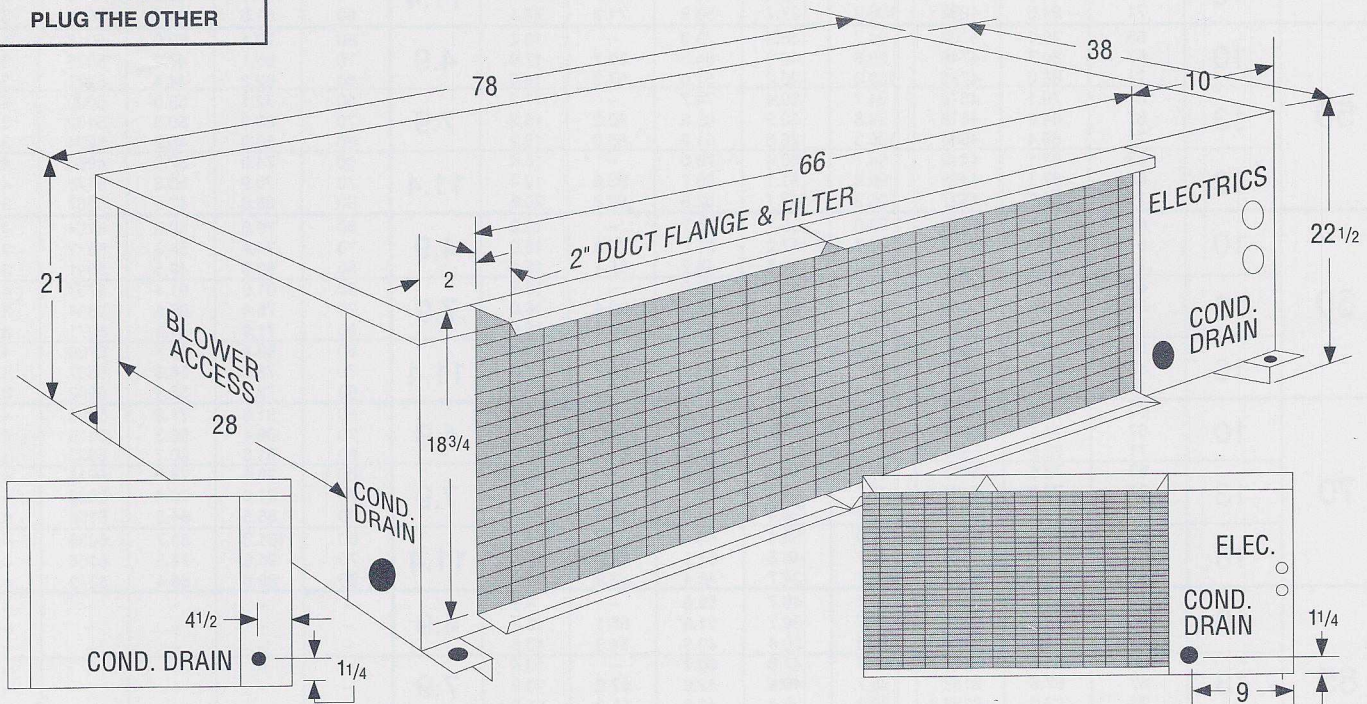
PHYSICAL CHARACTERISTICS

BLOWER PERFORMANCE Ratings are with standard motor pulley drives

AVAILABLE EXTERNAL STATIC PRESSURE (In. H ₂ O including allowance for wet coil and filter)												
MOTOR PULLEY	.10	.20	.30	.40	.50	.60	.70	.80	.90	1.0	1.1	1.2
CLOSED	-	-	-	3250	3080	2900	2680	2420	2160	1900	1640	1380
1/2 OPEN	-	-	2800	2610	2400	2100	1800	-	-	-	-	-
OPEN	2590	2350	2050	1780	-	-	-	-	-	-	-	-



CONDENSATE PAN HAS (2) DRAIN CONNECTIONS. USE ONE AT LOW END OF UNIT PLUG THE OTHER



a HARROW company

FHP MANUFACTURING
 601 N.W. 65th COURT
 FT. LAUDERDALE, FL 33309
 PHONE: (305) 776-5471
 FAX: (305) 776-5529

CONDENSER WATER CONNECTIONS: 1.0" F.P.T.
 CONDENSATE DRAIN CONNECTION: 0.75" F.P.T.
 FILTER SIZE: HZ 19" X 35" X 1" QTY. (2)

As a result of continuing research and development, all ratings and specifications are subject to change without notice. Rev. 10/94