



SPECIFICATION DATA SHEET

FLORIDA HEAT PUMP HIGH-EFFICIENCY WATER SOURCE HEAT PUMPS

SL040

SUPER LO-TEMP

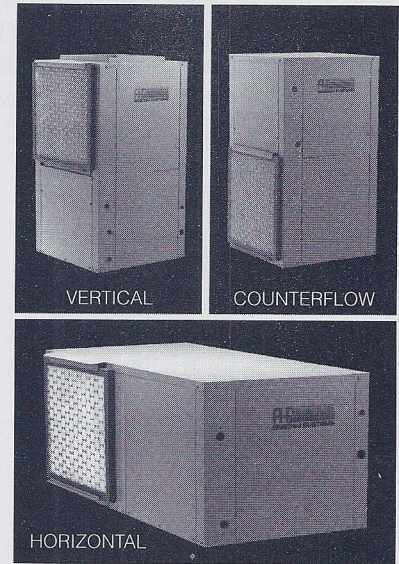
ELECTRICAL SPECIFICATIONS

Electrical Characteristics	Elec. Sym.	COMPRESSOR		BLOWER		Min. Circuit Amp-acity	Fuse (T/D) HACR Cir. Bkr.
		RLA	LRA	NPA	H.P.		
208/230-1-60	-1	18.0	87.0	4.4	1/2	26.9	40
265-1-60	-2	14.8	90.0	3.3	1/2	21.8	35
208/230-3-60	-3	10.9	78.0	4.4	1/2	18.1	25
460-3-60	-4	5.8	40.0	1.8	1/2	9.1	15
575-3-60	-5	4.5	32.0	2.6	3/4	8.3	15

Units are complete packages containing all refrigeration components: compressor, reversing valve, expansion valve metering device and water-to-refrigerant condenser. Also included are safety controls: Overload protection for motors, high and low refrigerant pressure switches and a lock-out impedance relay. The units are finished in a beige color.

MECHANICAL SPECIFICATIONS

EVAPORATOR				BLOWER SIZE	WEIGHT	
SQUARE FEET	ROWS DEEP	TUBE SIZE	FPI		NET	SHIP
3.5	3	3/8	14	9 x 7	231	251



ARI/CSA PERFORMANCE DATA

COOLING (ARI 325 CERTIFIED)					HEATING (ARI 325 CERTIFIED)				ARI 330/CSA-C446 CERTIFIED						
HIGH TEMP		LOW TEMP		GPM	HIGH TEMP		LOW TEMP		GPM	COOLING			HEATING		
BTUH	EER	BTUH	EER		BTUH	COP	BTUH	COP		BTUH	EER	GPM	BTUH	COP	GPM
42,500	13.5	44,500	16.8	6.0	48,500	3.7	38,500	3.3	6.0	40,000	12.9	10.5	29,400	3.0	10.5

CAPACITY DATA: All performance at 1250 CFM (ARI Rated CFM)

EWT °F	GPM	COOLING								HEATING					
		Ent. Air W.B., °F	Total Btuh	Watts Input	Heat Rej. Btuh	Sensible Btuh, at ent. air dry bulb, °F			EER	WPD Ft. Hd.	Ent. Air D.B., °F	Htg. Btuh	Heat of Absorb. Btuh	Watts Input	COP
						75	80	85							
45	4.5	63	41.0	2159	48.4	31.5	39.6	-	19.0	1.7	60	36.0	27.0	2663	4.0
		67	43.6	2178	51.0	26.6	34.7	43.5	20.0		70	35.0	25.3	2803	3.6
		71	46.3	2197	53.8	14.1	27.5	36.3	21.1		80	34.1	24.1	2929	3.4
	6.0	63	42.7	2096	49.9	32.1	40.4	-	20.4	6.0	60	36.8	27.6	2717	4.0
		67	45.4	2115	52.6	27.1	35.4	44.4	21.5		70	35.8	26.0	2859	3.7
		71	48.3	2133	55.6	14.4	28.1	37.0	22.6		80	34.9	24.7	2986	3.4
	10.5	63	48.0	1907	54.4	34.0	42.7	-	25.1	11.9	60	37.6	28.2	2741	4.0
		67	50.9	1925	57.5	28.7	37.5	47.0	26.4		70	36.5	26.7	2884	3.7
		71	54.2	1941	60.8	15.2	29.7	39.2	27.9		80	35.6	25.4	3011	3.5
50	4.5	63	40.2	2282	48.0	30.8	38.8	-	17.6	4.3	60	38.7	29.3	2763	4.1
		67	42.7	2303	50.6	26.1	34.0	42.7	18.5		70	37.6	27.7	2908	3.8
		71	45.4	2322	53.4	13.8	27.0	35.6	19.6		80	36.5	26.0	3053	3.5
	6.0	63	41.9	2216	49.5	31.4	39.6	-	18.9	6.0	60	39.7	30.0	2828	4.1
		67	44.5	2236	52.1	26.6	34.7	43.5	19.9		70	38.5	28.3	2976	3.8
		71	47.3	2254	55.0	14.1	27.5	36.3	21.0		80	37.3	26.7	3125	3.5
	10.5	63	47.0	2016	53.9	33.3	41.9	-	23.3	11.9	60	41.9	31.7	2985	4.1
		67	49.9	2035	56.9	28.1	36.7	46.1	24.5		70	40.7	30.2	3070	3.9
		71	53.1	2051	60.1	14.9	29.1	38.4	25.9		80	39.5	28.6	3219	3.6
60	4.5	63	39.3	2530	48.0	30.1	38.0	-	15.5	4.3	60	43.7	33.6	2959	4.3
		67	41.7	2554	50.5	25.5	33.3	41.7	16.3		70	42.5	31.8	3115	4.0
		71	44.4	2575	53.2	13.4	26.3	35.0	17.3		80	41.2	30.0	3270	3.7
	6.0	63	41.0	2457	49.4	30.7	38.8	-	16.7	6.0	60	44.8	34.5	3029	4.3
		67	43.5	2480	52.0	26.0	34.0	42.7	17.5		70	43.5	32.6	3188	4.0
		71	46.3	2500	54.8	13.6	26.8	35.7	18.5		80	42.2	30.8	3347	3.7
	10.5	63	46.0	2236	53.6	32.5	41.1	-	20.6	11.9	60	47.4	36.5	3197	4.3
		67	48.8	2257	56.5	27.5	35.9	45.2	21.6		70	46.0	34.5	3366	4.0
		71	51.9	2275	59.7	14.4	28.4	37.7	22.8		80	44.7	32.7	3525	3.7
70	4.5	63	38.4	2781	47.9	29.4	37.1	-	13.8	4.3	60	48.8	38.0	3155	4.5
		67	40.8	2806	50.4	24.9	32.5	40.8	14.5		70	47.4	36.0	3321	4.2
		71	43.4	2829	53.0	13.2	25.8	34.0	15.3		80	46.1	34.2	3476	3.9
	6.0	63	40.0	2700	49.2	30.0	37.8	-	14.8	6.0	60	50.0	38.9	3230	4.5
		67	42.5	2724	51.8	25.4	33.2	41.6	15.6		70	48.5	36.9	3400	4.2
		71	45.2	2746	54.6	13.5	26.3	34.7	16.5		80	47.2	35.0	3559	3.9
	10.5	63	44.9	2457	53.3	31.8	40.0	-	18.3	11.9	60	52.5	40.9	3398	4.5
		67	47.7	2479	56.1	26.9	35.1	44.0	19.2		70	51.0	38.8	3578	4.2
		71	50.7	2499	59.2	14.3	27.8	36.7	20.3		80	49.7	36.9	3737	3.9
85	4.5	63	30.3	3360	41.8	24.5	30.3	-	9.0	4.3	-	-	-	-	-
		67	32.2	3392	43.7	20.8	27.2	32.2	9.5		70	-	-	-	-
		71	34.2	3420	45.9	10.7	21.4	28.8	10.0		80	-	-	-	-
	6.0	63	31.6	3262	42.8	25.0	31.6	-	9.7	6.0	-	-	-	-	-
		67	33.5	3293	44.7	21.2	27.7	33.5	10.2		70	-	-	-	-
		71	35.7	3320	47.0	10.9	21.8	29.3	10.7		80	-	-	-	-
	10.5	63	35.5	2969	45.6	26.4	33.7	-	11.9	11.9	-	-	-	-	-
		67	37.6	2997	47.8	22.5	29.3	37.2	12.5		70	-	-	-	-
		71	40.0	3021	50.3	11.5	23.1	31.1	13.2		80	-	-	-	-
100	4.5	63	26.8	3749	39.6	21.3	26.8	-	7.1	4.3	-	-	-	-	-
		67	28.3	3786	41.2	18.3	23.9	28.3	7.5		70	-	-	-	-
		71	30.2	3816	43.2	8.7	18.7	26.0	7.9		80	-	-	-	-
	6.0	63	27.9	3640	40.3	21.7	27.9	-	7.7	6.0	-	-	-	-	-
		67	29.5	3676	42.0	18.7	24.3	29.5	8.0		70	-	-	-	-
		71	31.4	3705	44.1	8.9	19.0	26.5	8.5		80	-	-	-	-
	10.5	63	31.3	3312	42.6	23.0	30.3	-	9.5	11.9	-	-	-	-	-
		67	33.0	3345	44.5	19.7	25.8	33.0	9.9		70	-	-	-	-
		71	35.3	3372	46.8	9.4	20.1	28.1	10.5		80	-	-	-	-

ALL BTUH ARE THOUSANDS

SLO40

SUPER LO-TEMP

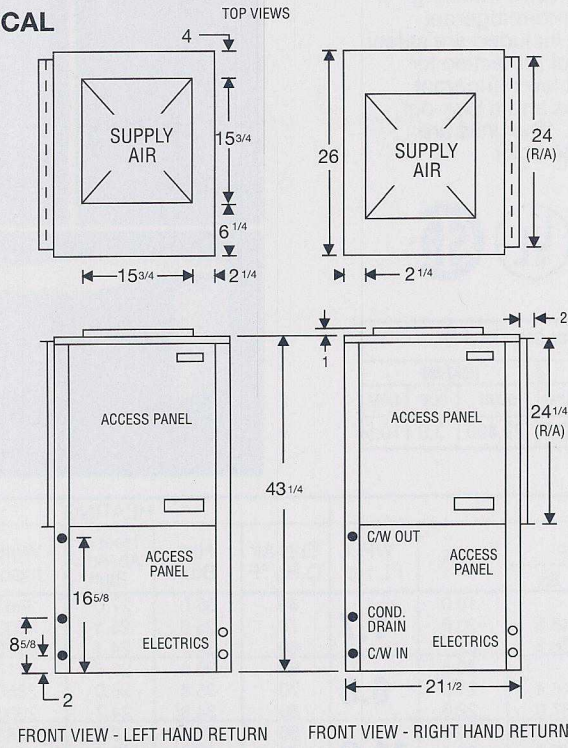
PHYSICAL CHARACTERISTICS

BLOWER PERFORMANCE

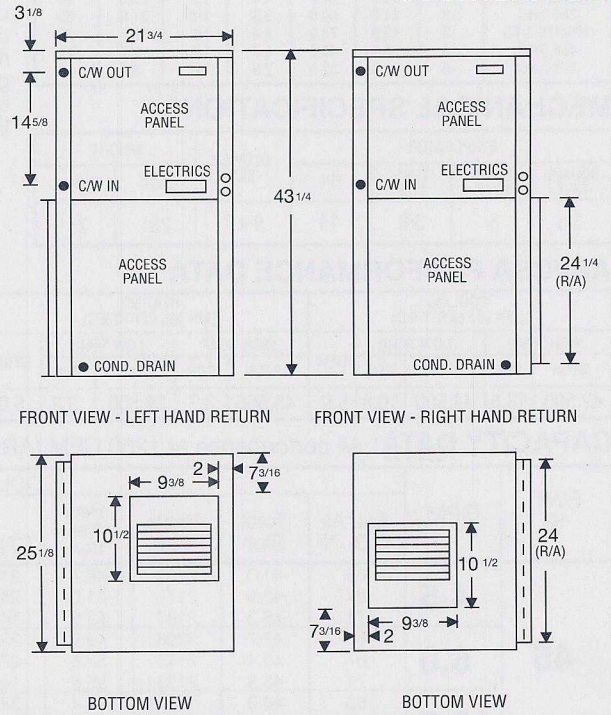
Note: 575 Volt models available in high speed only.
Models blower performance (CFM) x1.05

AVAILABLE EXTERNAL STATIC PRESSURE (In. H ₂ O including allowance for wet coil and filter)												
FAN SPEED	.10	.20	.30	.40	.50	.60	.70	.80	.90	1.0	1.1	1.2
HIGH	1390	1320	1250	1190	1100	1000	890	800	-	-	-	-
MED.	1280	1200	1160	1070	1000	890	-	-	-	-	-	-
LOW	1100	1050	1000	925	800	-	-	-	-	-	-	-

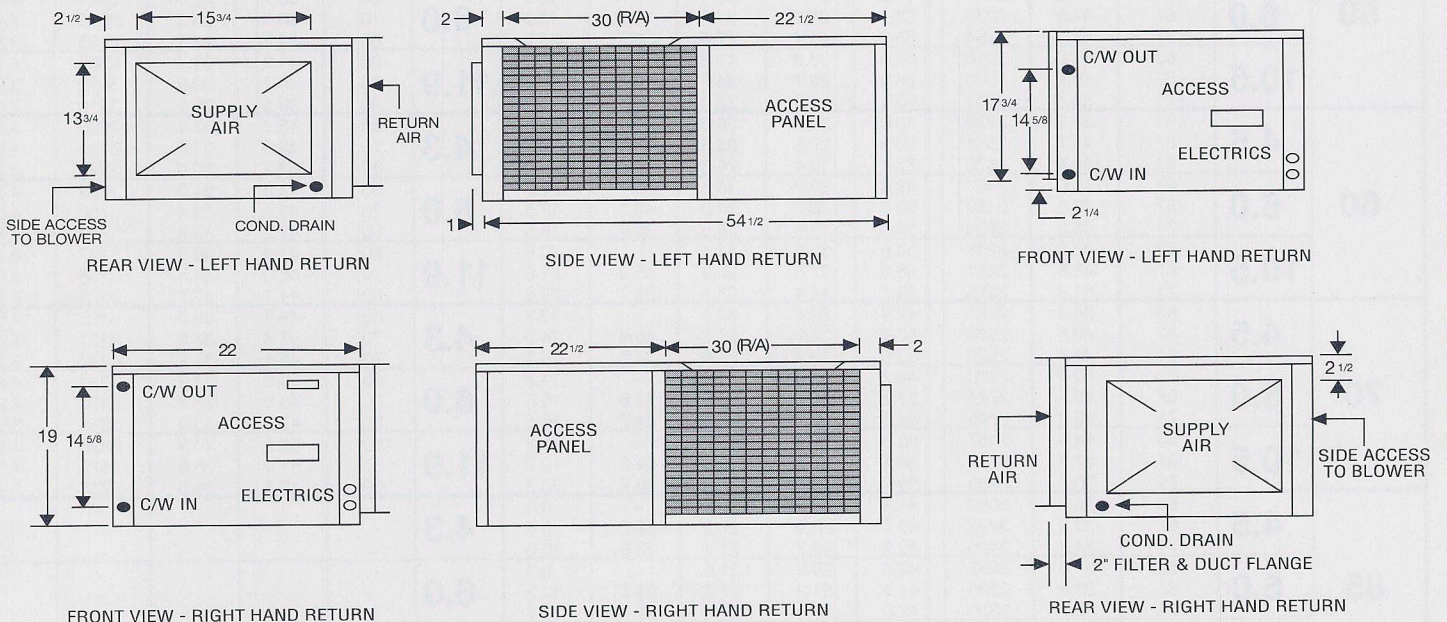
VERTICAL



COUNTERFLOW



HORIZONTAL



OPTIONAL STRAIGHT-THRU AIR CONFIGURATION

CONDENSER WATER CONNECTIONS: 3/4" F.P.T.
 CONDENSATE DRAIN CONNECTION: 3/4" F.P.T.
 FILTER SIZE: VT, CF 24" X 24" X 1" ; HZ 17 1/2" X 30" X 1"

As a result of continuing research and development, all ratings and specifications are subject to change without notice. Rev. 7/94



a HARROW company

FHP MANUFACTURING
 601 N.W. 65th COURT
 FT. LAUDERDALE, FL 33309
 PHONE: (305) 776-5471
 FAX: (305) 776-5529