



# SPECIFICATION DATA SHEET

# SL030 SUPER LO-TEMP

FLORIDA HEAT PUMP HIGH-EFFICIENCY WATER SOURCE HEAT PUMPS

## ELECTRICAL SPECIFICATIONS

Electrical Characteristics	Elec. Sym.	COMPRESSOR		BLOWER		Min. Circuit Ampacity	Fuse (T/D) HACR Cir. Bkr.
		RLA	LRA	NPA	H.P.		
208/230-1-60	-1	14.8	73.0	2.0	1/4	20.5	35
265-1-60	-2	12.9	72.0	1.6	1/4	17.8	30
208/230-3-60	-3	7.8	68.0	2.0	1/4	11.8	15
460-3-60	-4	3.9	36.0	1.0	1/4	5.9	15

Units are complete packages containing all refrigeration components: compressor, reversing valve, expansion valve metering device and water-to-refrigerant condenser. Also included are safety controls: Overload protection for motors, high and low refrigerant pressure switches and a lock-out impedance relay. The units are finished in a beige color.

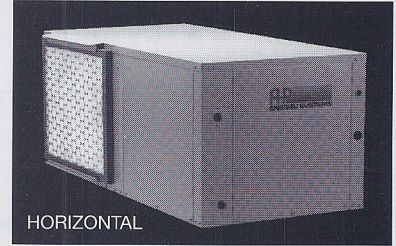
## MECHANICAL SPECIFICATIONS

EVAPORATOR				BLOWER SIZE	WEIGHT	
SQUARE FEET	ROWS DEEP	TUBE SIZE	FPI		NET	SHIP
2.29	4	3/8	14	9 x 7	193	210



VERTICAL

COUNTERFLOW



HORIZONTAL

## ARI/CSA PERFORMANCE DATA

COOLING (ARI 325 CERTIFIED)				HEATING (ARI 325 CERTIFIED)				ARI 330/CSA-C446 CERTIFIED							
HIGH TEMP		LOW TEMP		GPM	HIGH TEMP		LOW TEMP		GPM	COOLING			HEATING		
BTUH	EER	BTUH	EER		BTUH	COP	BTUH	COP		BTUH	EER	GPM	BTUH	COP	GPM
30,800	11.5	32,400	14.6	4.0	38,000	3.6	28,800	3.2	4.0	31,000	12.1	6.0	22,000	3.0	6.0

## CAPACITY DATA: All performance at 900 CFM (ARI Rated CFM)

EWT °F	GPM	COOLING								HEATING						
		Ent. Air W.B., °F	Total Btuh	Watts Input	Heat Rej. Btuh	Sensible Btuh, at ent. air dry bulb, °F			EER	WPD Ft. Hd.	Ent. Air D.B., °F	Htg. Btuh	Heat of Absorb. Btuh	Watts Input	COP	
						75	80	85								
45	4.0	63	31.1	1806	37.3	23.4	29.4	-	17.2	4.2	60	27.6	20.2	2148	3.8	
		67	33.0	1823	39.3	19.7	25.8	32.3	18.1		70	26.8	19.0	2262	3.5	
		71	35.2	1838	41.4	10.5	20.4	27.0	19.1		80	26.1	18.1	2362	3.2	
	6.0	63	33.6	1698	39.4	24.3	30.5	-	19.8	9.4	60	28.2	20.7	2198	3.8	
		67	35.7	1714	41.6	20.5	26.8	33.6	20.8		70	27.4	19.5	2314	3.5	
		71	38.0	1728	43.9	10.9	21.2	28.0	22.0		80	26.7	18.5	2417	3.2	
	9.0	63	37.4	1535	42.7	25.6	32.3	-	24.4	20.8	60	28.7	21.0	2242	3.8	
		67	39.7	1550	45.0	21.7	28.3	35.5	25.6		70	27.9	19.8	2360	3.5	
		71	42.3	1563	47.6	11.5	22.4	29.6	27.1		80	27.2	18.8	2463	3.2	
50	4.0	63	30.5	1910	37.0	22.9	28.8	-	16.0	4.2	60	30.0	22.0	2245	3.9	
		67	32.4	1927	39.0	19.4	25.3	31.7	16.8		70	28.8	20.7	2364	3.6	
		71	34.5	1943	41.1	10.3	20.0	26.4	17.7		80	27.9	19.5	2482	3.3	
	6.0	63	33.0	1795	39.1	23.8	30.0	-	18.4	9.4	60	30.3	22.5	2296	3.9	
		67	35.0	1811	41.2	20.1	26.3	33.0	19.3		70	29.4	21.2	2417	3.6	
		71	37.3	1827	43.5	10.7	20.8	27.5	20.4		80	28.6	19.9	2538	3.3	
	9.0	63	36.7	1624	42.2	25.1	31.6	-	22.6	20.8	60	31.3	23.2	2372	3.9	
		67	39.0	1638	44.6	21.2	27.7	34.8	23.8		70	30.4	21.9	2497	3.6	
		71	41.5	1652	47.0	11.3	22.0	29.0	25.1		80	29.5	20.6	2618	3.3	
60	4.0	63	29.8	2129	37.0	22.3	28.2	-	14.0	4.2	60	34.4	26.0	2452	4.1	
		67	31.6	2149	38.9	18.9	24.6	31.1	14.7		70	33.4	24.6	2581	3.8	
		71	33.6	2166	41.0	9.9	19.5	25.9	15.5		80	32.4	23.2	2710	3.5	
	6.0	63	32.2	2001	39.0	23.2	29.3	-	16.1	9.4	60	35.2	26.6	2507	4.1	
		67	34.2	2020	41.1	19.6	25.6	32.3	16.9		70	31.1	25.1	2639	3.8	
		71	36.4	2036	43.3	10.3	20.3	26.9	17.9		80	33.1	23.7	2771	3.5	
	9.0	63	35.8	1810	42.0	24.4	31.0	-	19.8	20.8	60	36.3	27.5	2590	4.1	
		67	38.0	1827	44.2	20.7	27.1	34.1	20.8		70	35.2	25.9	2726	3.8	
		71	40.4	1841	46.7	10.9	21.4	28.4	22.0		80	34.2	24.5	2858	3.5	
70	4.0	63	29.0	2349	37.0	21.8	27.4	-	12.3	4.2	60	39.1	30.1	2658	4.3	
		67	30.8	2371	38.9	18.4	24.0	30.1	13.0		70	38.0	28.5	2797	4.0	
		71	32.8	2391	40.9	9.8	19.0	25.1	13.7		80	37.0	27.0	2926	3.7	
	6.0	63	31.4	2208	38.9	22.6	28.5	-	14.2	9.4	60	40.0	30.7	2717	4.3	
		67	33.3	2229	40.9	19.1	25.0	31.3	14.9		70	38.8	29.1	2860	4.0	
		71	35.4	2247	43.1	10.2	19.8	26.1	15.8		80	37.8	27.6	2992	3.7	
	9.0	63	34.8	1997	41.7	23.9	30.1	-	17.5	20.8	60	41.1	31.6	2800	4.3	
		67	37.0	2015	43.9	20.2	26.4	33.1	18.4		70	39.9	29.9	2947	4.0	
		71	39.4	2032	46.3	10.7	20.9	27.6	19.4		80	38.9	28.4	3079	3.7	
85	4.0	63	25.4	2749	34.8	19.7	25.2	-	9.2	4.2	-	-	-	-	-	
		67	26.9	2775	36.4	16.7	21.9	26.9	9.7		70	-	-	-	-	-
		71	28.7	2798	38.2	8.6	20.4	16.4	10.3		80	-	-	-	-	-
	6.0	63	27.5	2584	36.3	20.5	26.1	-	10.6	9.4	-	-	-	-	-	
		67	29.1	2609	38.0	17.4	22.7	28.9	11.2		70	-	-	-	-	-
		71	31.0	2630	40.0	8.9	21.2	17.0	11.8		80	-	-	-	-	-
	9.0	63	30.6	2337	38.5	21.6	27.6	-	13.1	20.8	-	-	-	-	-	
		67	32.4	2359	40.4	18.4	24.0	30.5	13.7		70	-	-	-	-	-
		71	34.5	2378	42.6	9.4	22.4	17.9	14.5		80	-	-	-	-	-
100	4.0	63	22.4	3068	32.9	17.1	22.4	-	7.3	4.2	-	-	-	-	-	
		67	23.7	3098	34.3	14.7	19.2	23.7	7.6		70	-	-	-	-	-
		71	25.3	3122	35.9	7.0	11.7	7.6	8.1		80	-	-	-	-	-
	6.0	63	24.3	2884	34.1	17.8	23.5	-	8.4	9.4	-	-	-	-	-	
		67	25.6	2912	35.5	15.3	20.0	25.6	8.8		70	-	-	-	-	-
		71	27.3	2935	37.3	7.3	12.1	7.9	9.3		80	-	-	-	-	-
	9.0	63	27.0	2608	35.9	18.8	24.8	-	10.4	20.8	-	-	-	-	-	
		67	28.5	2633	37.5	16.2	21.1	27.6	10.8		70	-	-	-	-	-
		71	30.4	2654	39.5	7.7	12.8	8.3	11.5		80	-	-	-	-	-

ALL BTUH ARE THOUSANDS



# SLO30

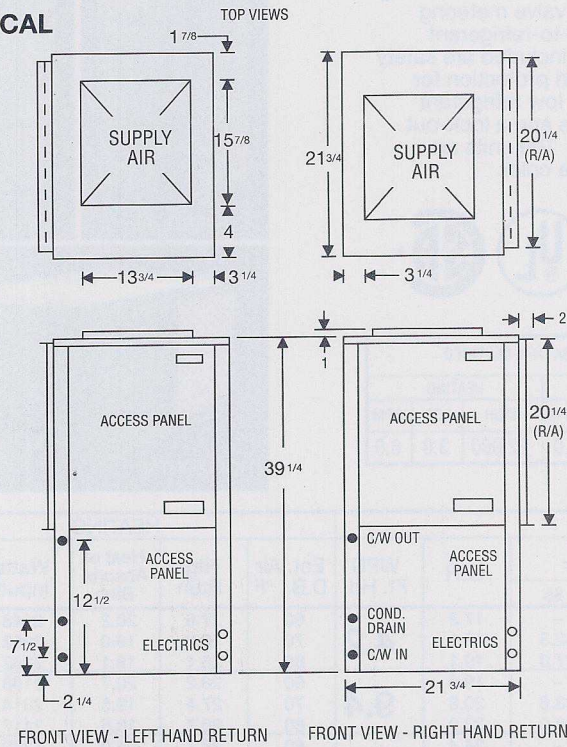
SUPER LO-TEMP

## BLOWER PERFORMANCE

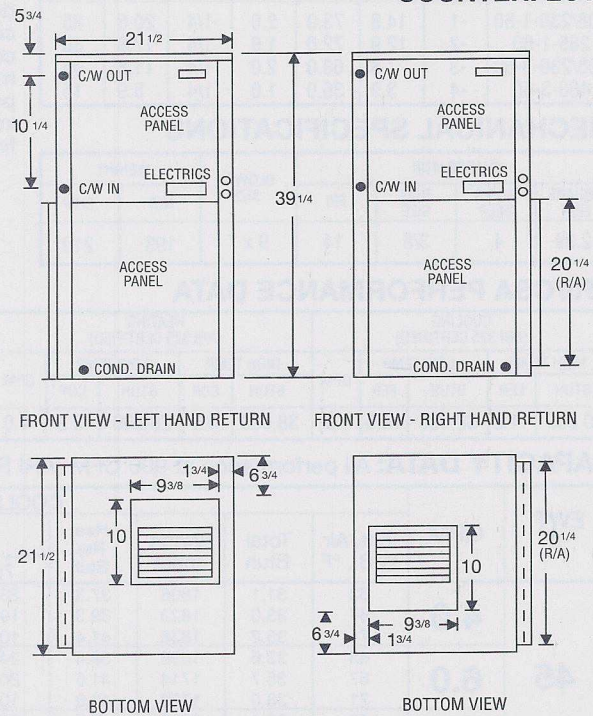
AVAILABLE EXTERNAL STATIC PRESSURE (In. H <sub>2</sub> O including allowance for wet coil and filter)												
FAN SPEED	.10	.20	.30	.40	.50	.60	.70	.80	.90	1.0	1.1	1.2
HIGH	1030	975	920	875	860	840	810	780	775	750	-	-
MED.	770	750	720	680	-	-	-	-	-	-	-	-
LOW	720	680	-	-	-	-	-	-	-	-	-	-

## PHYSICAL CHARACTERISTICS

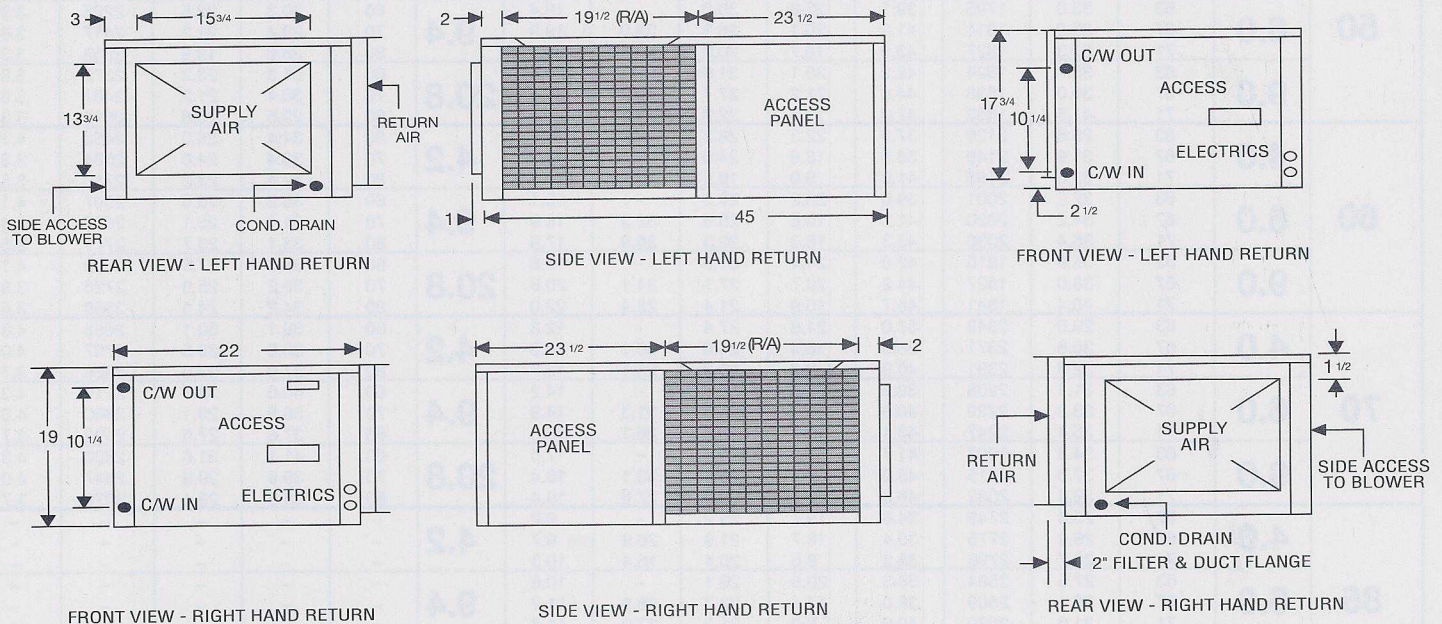
### VERTICAL



### COUNTERFLOW



### HORIZONTAL



### OPTIONAL STRAIGHT-THRU AIR CONFIGURATION

CONDENSER WATER CONNECTIONS: 3/4" F.P.T.  
 CONDENSATE DRAIN CONNECTION: 3/4" F.P.T.  
 FILTER SIZE: VT, CF 20" X 22 1/4" X 1" ; HZ 17 1/2" X 20" X 1"

As a result of continuing research and development, all ratings and specifications are subject to change without notice. Rev. 7/94



a HARROW company

**FHP MANUFACTURING**  
 601 N.W. 65th COURT  
 FT. LAUDERDALE, FL 33309  
 PHONE: (305) 776-5471  
 FAX: (305) 776-5529