

# SE022

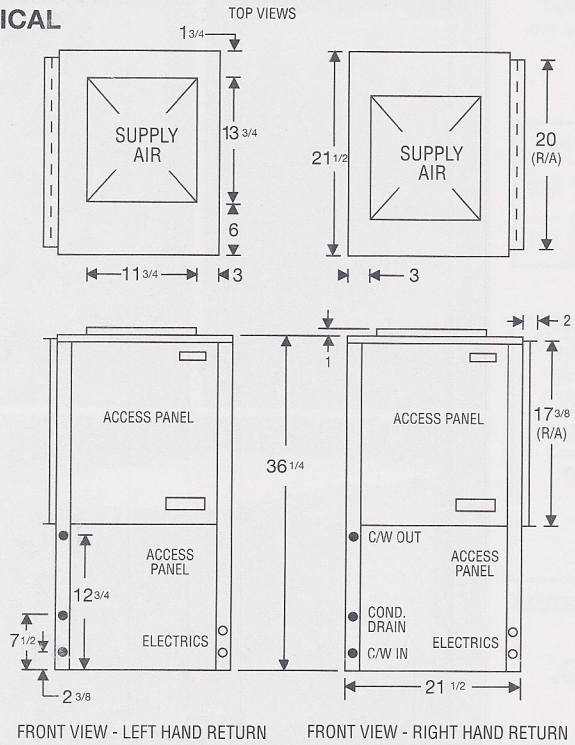
SUPER EFFICIENCY

## BLOWER PERFORMANCE

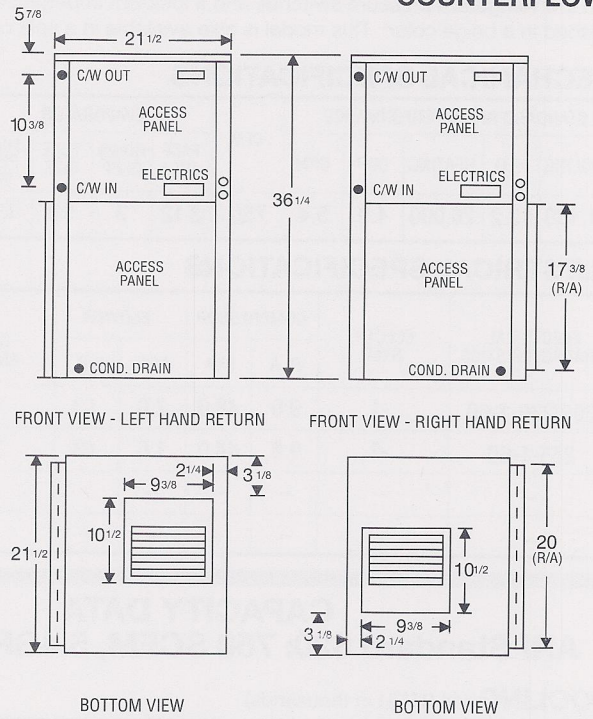
AVAILABLE EXTERNAL STATIC PRESSURE (In. H2O including allowance for wet coil and filter)												
FAN SPEED	.10	.20	.30	.40	.50	.60	.70	.80	.90	1.0	1.1	1.2
HIGH	900	850	800	760	710	690	680	670	-	-	-	-
MED.	750	720	690	670	-	-	-	-	-	-	-	-
LOW	670	-	-	-	-	-	-	-	-	-	-	-

## PHYSICAL CHARACTERISTICS

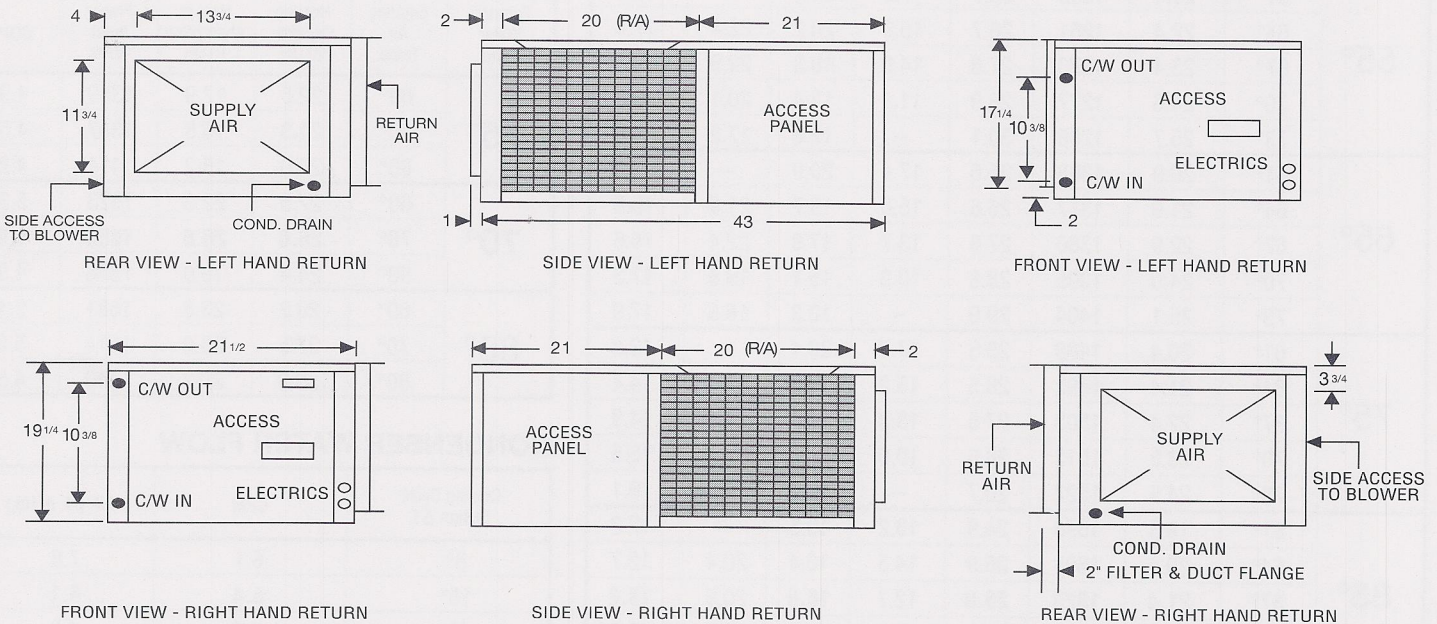
### VERTICAL



### COUNTERFLOW



### HORIZONTAL



OPTIONAL STRAIGHT-THRU AIR CONFIGURATION AVAILABLE



a HARROW company

**FHP MANUFACTURING**  
 601 N.W. 65th COURT  
 FT. LAUDERDALE, FL 33309  
 PHONE: (305) 776-5471  
 FAX: (305) 776-5529

CONDENSER WATER CONNECTIONS: 3/4" F.P.T.  
 CONDENSATE DRAIN CONNECTION: 3/4" F.P.T.  
 FILTER SIZE: VT, CF 17" X 20" X 1" ; HZ 17" X 20" X 1"

As a result of continuing research and development, all ratings and specifications are subject to change without notice.

Rev. 12/94

# FHP SPECIFICATION DATA SHEET

# SE022

SUPER EFFICIENCY

## FLORIDA HEAT PUMP HIGH-EFFICIENCY WATER SOURCE HEAT PUMPS

Units are complete packages containing all refrigeration components: compressor, reversing valve, capillary tube metering device and water-to-refrigerant condenser. Also included are safety controls: Overload protection for motors, high and low refrigerant pressure switches and a lock-out impedance relay. The units are finished in a beige color. This model is also available in a split configuration.

### MECHANICAL SPECIFICATIONS

STANDARD RATED PERFORMANCE					CFM	EVAPORATOR				BLOWER	WEIGHT	
COOLING	EER	HEATING	COP	GPM		FACE AREA	ROWS DEEP	TUBE SIZE	FINS PER IN.		NET	SHIP
21,400	13.2	26,000	4.9	5.4	750	2.12	3	3/8	13	9X7	181	191

### ELECTRICAL SPECIFICATIONS

ELECTRICAL CHARACTERISTICS	ELECTR. SYM.	COMPRESSOR		BLOWER		MIN. CIRCUIT AMPACITY	FUSE (T/D) HACR CIRCUIT BREAKER
		RLA	LRA	NPA	H.P.		
208/230-1-60	-1	9.0	48.0	2.0	1/4	13.3	20
265-1-60	-2	9.0	44.0	1.6	1/4	12.9	20
-	-	-	-	-	-	-	-
-	-	-	-	-	-	-	-

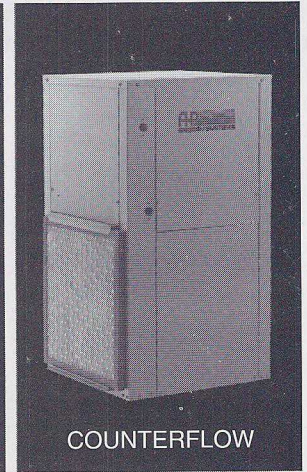
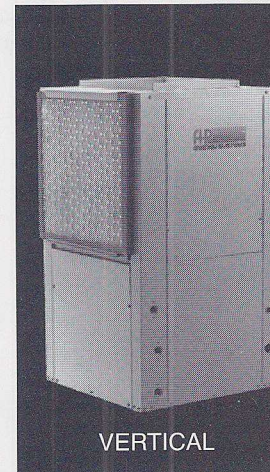
### CAPACITY DATA

ARI Standard 320: 750 SCFM, 5.4GPM/6.1' P.D.

### COOLING (All BTUH in thousands)

Entering Water Temp.	Ent. Air Wet Bulb Temp.	Total Capacity BTUH	Watts Input	Heat Rejection BTUH	Sensible Capacity BTUH Ent. Air Dry Bulb °F			EER
					75°	80°	85°	
55°	61°	21.4	1253	25.7	17.8	21.4	-	17.1
	64°	22.4	1261	26.7	15.9	20.2	22.4	17.8
	67°	23.4	1270	27.8	14.0	18.3	22.9	18.5
	70°	24.6	1277	28.9	11.1	15.4	20.1	19.3
	73°	25.7	1286	30.1	-	12.6	17.2	20.0
65°	61°	20.9	1368	25.6	17.4	20.9	-	15.3
	64°	21.9	1377	26.6	15.6	19.7	21.9	15.9
	67°	22.9	1386	27.6	13.7	17.9	22.4	16.6
	70°	24.0	1395	28.8	10.9	15.1	19.6	17.3
	73°	25.1	1404	29.9	-	12.3	16.8	17.9
75°	61°	20.4	1483	25.5	17.0	20.4	-	13.8
	64°	21.4	1492	26.5	15.2	19.3	21.4	14.4
	67°	22.4	1503	27.5	13.3	17.4	21.9	14.9
	70°	23.5	1512	28.6	10.6	14.7	19.2	15.5
	73°	24.5	1522	29.7	-	12.0	16.4	16.1
85°	61°	19.5	1598	24.9	13.2	19.5	-	12.2
	64°	20.4	1608	25.9	14.5	18.4	20.4	12.7
	<b>67°</b>	<b>21.4</b>	<b>1620</b>	<b>26.9</b>	<b>12.7</b>	<b>16.6</b>	<b>20.9</b>	<b>13.2</b>
	70°	22.4	1629	27.9	10.1	14.0	18.3	13.8
	73°	23.4	1641	29.0	-	11.5	15.7	14.3
95°	61°	17.8	1712	23.6	14.8	17.8	-	10.4
	64°	18.6	1722	24.5	13.2	16.8	18.6	10.8
	67°	19.5	1735	25.4	11.6	15.2	19.0	11.2
	70°	20.4	1745	26.4	9.2	12.8	16.7	11.7
	73°	21.3	1757	27.3	-	10.4	14.3	12.2

BOLD DATA ARE AT ARI STANDARD 320 RATING CONDITIONS.



### HEATING

Entering Water Temp.	Entering Air Temp.	Heating Capacity BTUH	Heat of Absorption BTUH	Power Input Watts	COP
55°	60°	22.5	17.9	1359	4.9
	70°	21.3	16.5	1387	4.5
	80°	20.0	15.2	1414	4.2
70°	60°	27.5	22.3	1523	5.3
	<b>70°</b>	<b>26.0</b>	<b>20.6</b>	<b>1555</b>	<b>4.9</b>
	80°	24.4	19.0	1586	4.5
80°	60°	29.2	23.8	1581	5.4
	70°	27.5	22.0	1614	5.0
	80°	25.9	20.2	1646	4.6

### CONDENSER WATER FLOW

Cooling Cycle Design ΔT	GPM	P.D. (Ft. of Hd.)
8°	6.1	7.8
<b>10°</b>	<b>5.4</b>	<b>6.1</b>
12°	4.7	4.6
14°	4.1	3.5
16°	3.4	2.4

