



**BOSCH**

Invented for life

## Bosch Water Source Heat Pump

### CA Model

The water-to-air CA console unit is available from  $\frac{3}{4}$  to  $1\frac{1}{2}$  tons. With performance levels of up to 15.0 EER (GLHP) and up to 4.6 COP (WLHP) the CA Model provides efficient heating and cooling in a compact size when space and access is at a premium.



# A High Performance Console

## Bosch CA

The CA Model console, water source heat pump is designed to provide heating and cooling in areas where space and access are limited. Utilize as a decentralized room terminal unit that is field connected to a closed-circuit piping loop within a structure. Typically these units are installed in perimeter zones and are ideal for installations where ducted systems are impractical. Office buildings, hotel/motels, schools, assisted living complexes and stairwells are some of the popular applications these units are used.

### Features

#### Quiet Comfort

- ▶ Double Isolated Compressor

#### Service Friendly

- ▶ Blower Inlet Ring
- ▶ Sloped Top Cabinet
- ▶ Schrader Charging Valves

#### Safety

- ▶ Condensate Overflow Sensor\*
- ▶ Unit Protection Module\*
- ▶ Dual Refrigerant Freeze Sensors\*

#### Robust and Durable Construction

- ▶ Epoxy Coated Evaporator Coil
- ▶ Heavy-gauge Powder Coat Cabinet
- ▶ Stainless Steel Drain Pan

#### Quality, Design & Efficiency

- ▶ Optional Energy Management Switch
- ▶ Optional 63" Cabinet

#### Additional Standard Features

- ▶ 40VA transformer
- ▶ TXV
- ▶ Remote reset at thermostat
- ▶ Fault LED indication
- ▶ 4-Way reversing valve
- ▶ LH/RH water piping connections

#### Additional Options

- ▶ 75VA transformer
- ▶ 1/2" FPT fittings
- ▶ Extended cabinet length - 63" L
- ▶ Blower monitor relay (with RMC)
- ▶ Compressor monitor relay
- ▶ Pump/valve relay
- ▶ Wire to 208V (voltage-1 only)
- ▶ Non-fused disconnect switch
- ▶ Fresh air damper (Available with sub-base)
- ▶ Cupronickel Coaxial Heat Exchanger



### Quality

The CA features as standard a heavy-gauge powder coat paint galvanized steel cabinet, a stainless steel drain pan to ensure long life and to help prevent corrosion the evaporator coils are protected with a electro type coating. Rigorous factory testing helps to ensure no hassles from the start while FHP's 40+ years of experience in designing heat pumps is your assurance of the highest quality product.

## Flexible Installation

Typically, the cabinet and chassis are installed together, but with the two-piece design, the chassis can be installed in a custom architectural cabinet. All units are available with a compact chassis designed with the same dimensions for all model sizes and with multiple configurations for water and controls flexibility. To add to ease of installation, CA models arrive Geothermal ready as a greener alternative to the boiler/tower systems application.

## Controls

There are two main choices when designating controllability for the CA console. There is either a factory installed unit mounted controller (UMC) or a field supplied remote mounted controller (RMC). In deciding which to choose for the project, one factor to consider is if the project entails a building automation system with DDC. If this is the case, the remote mounted controller is mandatory.\*\*

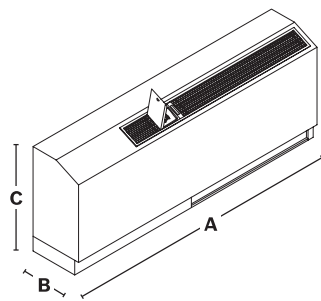
## Quiet Operation

Noise reduction is a critical consideration of the unit's design which is why all CA Models utilize thermal and acoustical double isolated compressor with closed cell foam insulation below the compressor base to support sound attenuation. The compressor is mounted to the bottom of chassis with a 2 piece base pan to reduce noise transmission and vibration.

## Serviceability

All units are designed to be serviced from the front of the unit by utilizing the removable slide out chassis. The unit comes as a one piece "sloped top" cover with rigid steel discharge air grille and bottom return air filter rack for easy removal of washable mesh air filter. The electrical junction box comes with a removable cover located on the Water Piping side to facilitate field connections. Schrader valves for high and low pressure gauges are standard along with electrical box components are easily accessible for diagnosing and servicing the unit. These service friendly features benefit equipment owners with easier service access which saves time and money.

## Technical Specifications



Left & Right Hand Water Connections Available

Model	Standard Length Unit Dimensions		
	A (width)	B (depth)	C (height)
CA009	48.00	12.00	23.88
CA012	48.00	12.00	23.88
CA015	48.00	12.00	23.88
CA018	48.00	12.00	23.88

Model	Extended Length Unit Dimensions		
	A (width)	B (depth)	C (height)
CA009	63.00	12.00	23.88
CA012	63.00	12.00	23.88
CA015	63.00	12.00	23.88
CA018	63.00	12.00	23.88

Notes: 1. All dimensions in inches unless otherwise noted. All dimensions within +0.125". Specifications subject to change without notice.  
2. Fresh Air Opening (In Sub-base Rear).  
3. Caution! When installing unit in cold climates, an outside air damper must be provided to prevent possible condenser freeze-up.

## Performance & Electrical Data

MODEL	ARI/ISO 13256-1 PERFORMANCE DATA												RATED AIRFLOW	WATER FLOW RATE (GPM)
	ENTERING WATER TEMPERATURES													
	WATER LOOP (WLHP)				GROUND WATER (GWHP)				GROUND LOOP (GLHP)					
	86°F		68°F		59°F		50°F		77°F		32°F			
	CAPACITY AND EFFICIENCY DATA													
	CAPACITY BTU/H	EER BTU/W-H	CAPACITY BTU/H	COP	CAPACITY BTU/H	EER BTU/W-H	CAPACITY BTU/H	COP	CAPACITY BTU/H	EER BTU/W-H	CAPACITY BTU/H	COP		
CA009 (115V & 265V)	8700	12.2	9500	4.3	10300	18.00	8000	3.7	9100	14.1	6000	3.2	380 (H) 350 (C)	2.0
CA009 (208V-230V)	8700	12.7	9500	4.5	10300	21.00	8000	3.9	9100	14.1	6000	3.2	380 (H) 350 (C)	2.0
CA012	11700	12.7	12600	4.3	13700	19.85	11000	3.8	12200	15.0	8500	3.2	520	3.0
CA015	14000	12.3	17000	4.6	16400	20.20	14500	4.0	14600	14.4	11300	3.3	500	4.0
CA018	16400	12.2	21100	4.3	19500	18.00	17400	3.8	17200	14.1	13900	3.2	520	4.5

H= Heating, C=Cooling

Note: Ratings based upon AHRI/ANSI 13256-1 with 3/8" washable mesh filter.

# About **Bosch**

## **Bosch Group**

The Bosch Group is a leading global supplier of technology and services in the areas of Automotive, Industrial Technology, Consumer Goods and Building Technology. The company was founded in Stuttgart, Germany, in 1886 and presently has more than 440 subsidiaries and is represented in over 150 countries.

In the U.S., Canada and Mexico, the Bosch Group manufactures and markets automotive original equipment and aftermarket solutions, industrial drives and control technology, power tools, security and communication systems, packaging technology, thermotechnology, household appliances and software solutions. The Bosch Group's products and services are designed to improving quality of life by providing innovative and beneficial solutions. In this way, the company offers technology worldwide that is "Invented for life." Additional information is available online at [boschheatingandcooling.com](http://boschheatingandcooling.com) and [bosch.ca](http://bosch.ca).

## **Bosch Thermotechnology in North America**

Bosch Thermotechnology is a leading source of high quality water heating and comfort systems. The company offers gas tankless, electric whole house and point-of-use water heaters, Bosch and Buderus floor-standing and wall mounted boilers, Bosch and FHP geothermal, water-source and air-source systems as well as controls and accessories for all product lines. Bosch Thermotechnology is committed to being Simply Smart by offering products that work together as integrated systems that enhance quality of life in an ultra-efficient and environmentally friendly manner. For more information, visit [boschheatingandcooling.com](http://boschheatingandcooling.com).

## **Bosch Water-Source Heat Pumps: Made in the U.S.A.**

Bosch and FHP water-source and geothermal heat pumps are made by highly trained and skilled workers in our factory based in Fort Lauderdale, Florida. They are manufactured with rigorous standards and factory testing ensuring high efficient operation over the life of the unit. Bosch's ISO 9001 and ISO 14001 certified facilities provide consistent quality in every unit built.



Heating



Cooling



Hot Water



Controls

### **Bosch Thermotechnology Corp.**

Watertown, MA • Londonderry, NH • Ft. Lauderdale, FL  
General Inquiries: 1-866-642-3198

Copyright © 2020 Bosch Thermotechnology Corp.  
All rights reserved. Subject to change without notice.