

LT 40 LO-TEMP SERIES

FLORIDA HEAT PUMP HIGH-EFFICIENCY WATER SOURCE HEAT PUMPS



MODEL LTV (Vertical)

MODEL LTH (Horizontal)

MODEL LTCF (Counterflow)

ELECTRICAL SPECIFICATIONS

Electrical Characteristics	Elect. Sym.	Compressor		Blower		Rated (2) Oper. Amp.		Min. Circuit Ampacity	Fuse (T/D) HACR Cir. Bkr.
		RLA	LRA	NPA	H.P.	Cool	Heat		
208/230-1-60	-1	15.4	79	2.6	1/3	12.7	15.4	21.9	30
265-1-60	-2	13.5	58	2.32		10.5	12.5	19.2	30
208/230-3-60	-3	10.3	60	2.6		7.6	9.4	15.5	20
460-3-60	-4	4.8	27	1.44		3.9	4.8	7.5	10

Model LT 40 units are complete packages containing all refrigeration components: hermetic compressor, reversing valve, expansion valve metering device and water-to-refrigerant condenser. Also included are safety controls: Overload protection for motors, high and low refrigerant pressure switches and a lock-out impedance relay. The units are finished in a beige color.

MECHANICAL SPECIFICATIONS

(2) ARI high temp. operation.

COOLING (ARI CERTIFIED)				HEATING (ARI CERTIFIED)				CFM (1)	EVAPORATOR				BLWR SIZE	WEIGHT			
HIGH TEMP.		LOW TEMP.		GPM	HIGH TEMP.		LOW TEMP.		FACE AREA	ROWS DEEP	TUBE SIZE	FPI		NET	SHIPPING		
Btuh	EER	Btuh	EER		Btuh	COP	Btuh	COP					GPM				
36400	11.2	39500	13.6	6.5	42000	3.5	31600	3.0	5.0	1200	3.5	3 ⁽³⁾	3/8	14	9 x 7	260	268

Certified ratings per ARI Std. 325.

Evaporator face area in sq. ft.

All condensers with enhanced tube surface.

(3) "LTLP" model has 3 row coil.

CAPACITY DATA: All performance at rated CFM (1).

EWT °F	GPM	COOLING								HEATING					
		Ent. Air W.B., °F	Total Btuh	Watts Input	Heat Rej. Btuh	Sensible Btuh, at ent. air dry bulb, °F			EER	WPD Ft. Hd.	Ent. Air D.B., °F	Htg. Btuh	Heat of Absorb. Btuh	Watts Input	COP
						75	80	85							
45	5	63	37.4	2328	46.6	24.9	31.4	—	16.1	3.7					
		67	39.7	2348	49.1	21.1	27.6	34.6	16.9						
		71	42.3	2369	51.8	11.2	21.8	28.8	17.9						
	6.5	63	38.9	2265	46.6	25.4	32.0	38.6	17.2	6.2	60	30.9	22.3	2546	3.6
		67	41.3	2285	49.1	21.5	28.1	35.2	18.1						
		71	43.9	2305	51.8	11.4	22.3	29.4	19.1						
8	63	40.3	2202	46.6	25.9	32.6	39.3	18.3	9.6	60	31.3	22.6	2553	3.6	
	67	42.8	2222	49.1	21.9	28.6	35.9	19.3							
	71	45.6	2241	51.8	11.6	22.7	29.9	20.3							
50	5	63	36.7	2415	46.2	24.5	30.8	—	15.2	3.7	60	33.5	24.4	2670	3.7
		67	38.0	2430	47.4	20.7	27.0	33.9	15.6						
		71	41.5	2456	51.3	11.0	21.4	28.3	16.9						
	6.5	63	38.1	2350	46.2	24.9	31.4	37.8	16.2	6.2	60	34.0	24.8	2679	3.7
		67	39.5	2365	47.4	21.1	27.5	34.5	16.7						
		71	43.1	2390	51.2	11.2	21.8	28.8	18.0						
8	63	39.6	2285	46.2	25.4	31.9	38.5	17.3	9.6	60	34.5	25.3	2689	3.8	
	67	41.0	2300	47.4	21.5	28.0	35.2	17.8							
	71	44.7	2324	51.2	11.4	22.2	29.3	19.2							
60	5	63	35.3	2590	45.2	23.8	30.1	—	13.6	3.7	60	38.3	28.7	2800	4.0
		67	36.5	2608	46.4	20.1	26.3	33.2	14.0						
		71	39.8	2633	50.1	10.5	20.8	27.7	15.1						
	6.5	63	36.6	2520	45.2	24.2	30.6	—	14.5	6.2	60	38.8	29.2	2811	4.0
		67	37.9	2538	46.4	20.5	26.8	33.8	15.0						
		71	41.4	2563	50.1	10.7	21.2	28.2	16.1						
8	63	38.0	2450	45.2	24.7	31.2	37.7	15.5	9.6	60	39.4	29.8	2823	4.1	
	67	39.4	2467	46.4	20.9	27.3	34.4	16.0							
	71	42.9	2492	50.1	10.9	21.6	28.7	17.2							
70	5	63	33.7	2764	44.2	23.2	29.1	—	12.2	3.7	60	44.5	33.9	3090	4.2
		67	35.0	2785	45.4	19.6	25.6	32.1	12.6						
		71	38.1	2812	48.9	10.4	20.3	26.7	13.5						
	6.5	63	35.0	2690	44.2	23.6	29.7	—	13.0	6.2	60	45.1	34.5	3101	4.3
		67	36.4	2710	45.5	20.0	26.0	32.7	13.4						
		71	39.6	2737	48.9	10.6	20.6	27.2	14.5						
8	63	36.3	2616	44.2	24.0	30.2	—	13.9	9.6	60	45.7	35.0	3113	4.3	
	67	37.6	2635	45.5	20.3	26.5	33.2	14.3							
	71	41.1	2661	48.9	10.8	21.0	27.7	15.4							
85	5	63	30.8	3011	42.0	22.1	28.1	—	10.2	3.7	60	53.2	41.4	3445	4.5
		67	32.4	3039	43.7	18.8	24.5	31.0	10.7						
		71	34.7	3067	46.3	9.8	19.4	25.8	11.3						
	6.5	63	32.0	2930	42.0	22.5	28.6	—	10.9	6.2	60	53.9	42.1	3457	4.5
		67	33.7	2958	43.7	19.1	24.9	31.6	11.4						
		71	36.1	2984	46.3	9.9	19.7	26.3	12.1						
8	63	33.2	2849	42.0	22.9	29.1	—	11.7	9.6	60	54.7	43.4	3519	4.5	
	67	34.9	2876	43.7	19.5	25.4	32.1	12.2							
	71	37.5	2902	46.3	10.1	20.1	26.8	12.9							
100	5	63	27.8	3282	39.8	20.6	26.2	—	8.5	3.7	60	58.9	48.9	3899	4.5
		67	29.5	3309	41.6	17.5	22.8	28.9	8.9						
		71	31.4	3337	43.7	9.0	18.0	24.1	9.4						
	6.5	63	28.9	3193	39.8	21.0	26.7	—	9.0	6.2	60	59.5	49.5	3959	4.5
		67	30.6	3220	41.6	17.8	23.3	29.5	9.5						
		71	32.6	3247	43.7	9.2	18.4	24.6	10.0						
8	63	29.9	3105	39.7	21.4	27.2	—	9.6	9.6	60	60.1	50.1	4019	4.5	
	67	31.7	3131	41.6	18.1	23.7	30.0	10.0							
	71	33.8	3157	43.7	9.3	18.7	25.0	10.7							

ALL BTUH ARE THOUSANDS



SPECIFICATION BLOWER PERFORMANCE DATA SHEET

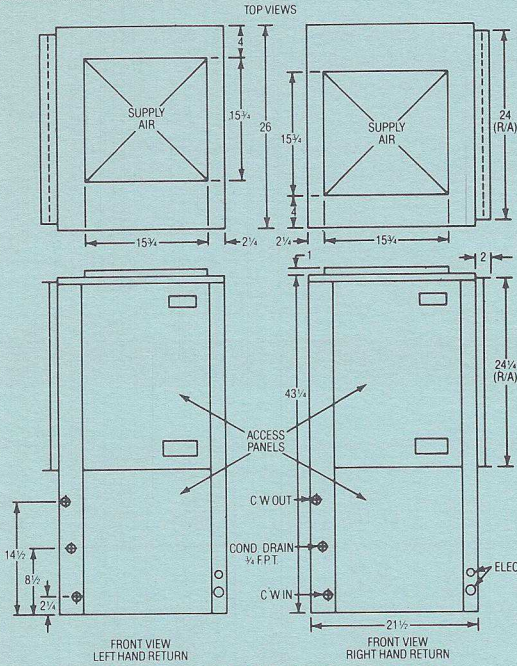
LT 40 LO-TEMP SERIES

AVAILABLE EXTERNAL STATIC PRESSURE (In. H ₂ O) (Including allowance for wet coil and filter)								
* Fan Speed	.10	.15	.20	.25	.30	.35	.40	.50
HI	1350	1320	1295	1265	1230	1200	1160	1140
LO	1275	1250	1230	1200	1175	1140	1110	1080

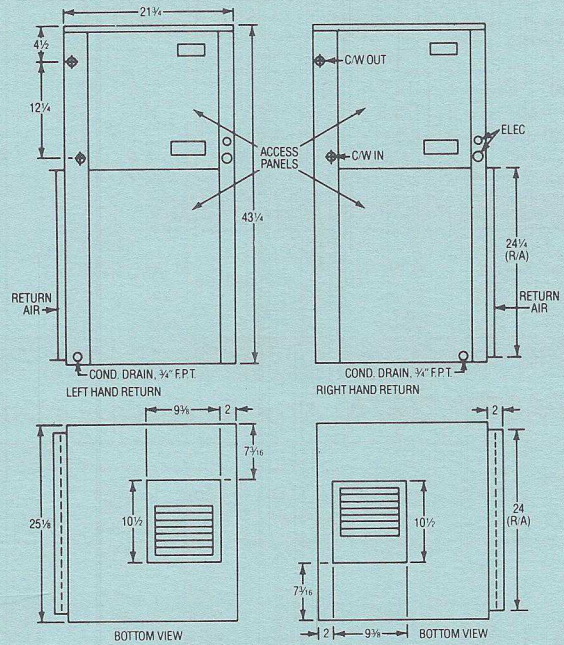
*All performance at 230 Volts.

Physical Characteristics

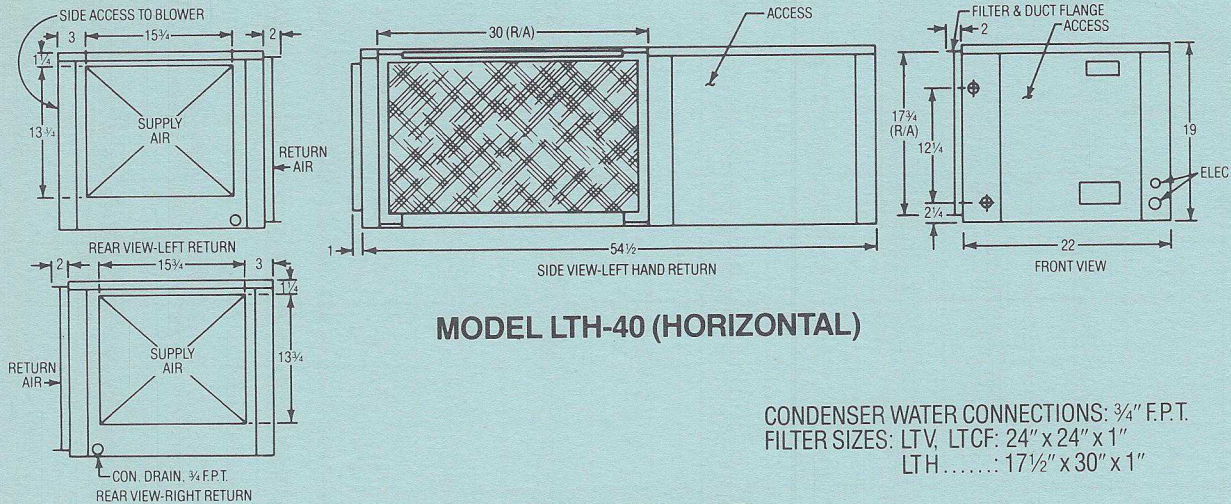
LT 40 Series are available in three configurations. Standard piping is as shown (left-hand) connections. Return air is available either L.H. or R.H. viewing from the front of the unit.



MODEL LTV-40 (VERTICAL)

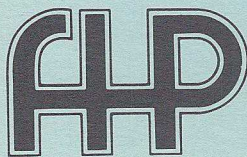


MODEL LTCF-40 (COUNTERFLOW)



MODEL LTH-40 (HORIZONTAL)

CONDENSER WATER CONNECTIONS: 3/4" F.P.T.
 FILTER SIZES: LTV, LTCF: 24" x 24" x 1"
 LTH.....: 17 1/2" x 30" x 1"



FHP MANUFACTURING
 601 N.W. 65TH COURT
 FT. LAUDERDALE, FL 33309
 PHONE: (305) 776-5471 / FAX: 776-5529

As a result of continuing research and development, all ratings and specifications are subject to change without notice.