

FHP SPECIFICATION DATA SHEET

LT 30 LO-TEMP SERIES

FLORIDA HEAT PUMP HIGH-EFFICIENCY WATER SOURCE HEAT PUMPS

ELECTRICAL SPECIFICATIONS

Electrical Characteristics	Elect. Sym.	Compressor		Blower		Rated (2) Oper. Amp.		Min. Circuit Ampacity	Fuse (T/D) HACR Cir. Bkr.
		RLA	LRA	NPA	H.P.	Cool	Heat		
208/230-1-60	-1	11.5	54	1.8	1/4	10.7	12.5	16.2	25
265-1-60	-2	10.3	45	1.6	1/4	9.4	10.9	14.5	20

Model LT 30 units are complete packages containing all refrigeration components: hermetic compressor, reversing valve, expansion valve metering device and water-to-refrigerant condenser. Also included are safety controls: Overload protection for motors, high and low refrigerant pressure switches and a lock-out impedance relay. The units are finished in a beige color.

MECHANICAL SPECIFICATIONS

(2) ARI high temp. operation.

COOLING (ARI CERTIFIED)				HEATING (ARI CERTIFIED)				CFM (1)	EVAPORATOR				BLWR SIZE	WEIGHT			
HIGH TEMP.		LOW TEMP.		GPM	HIGH TEMP.		LOW TEMP.		FACE AREA	ROWS DEEP	TUBE SIZE	FPI		NET	SHIPPING		
Btuh	EER	Btuh	EER		Btuh	COP	Btuh									COP	
28000	12.0	30800	15.0	5.0	33000	3.4	23600	3.0	5.0	950	2.29	4	3/8	14	9 x 7	226	234

Certified ratings per ARI Std. 325. Evaporator face area in sq. ft. All condensers with enhanced tube surface. All evaporators with enhanced tube & fin surface.

CAPACITY DATA: All performance at rated CFM (1).

EWT °F	GPM	COOLING								HEATING					
		Ent. Air W.B., °F	Total Btuh	Watts Input	Heat Rej. Btuh	Sensible Btuh, at ent. air dry bulb, °F			EER	WPD Ft. Hd.	Ent. Air D.B., °F	Htg. Btuh	Heat of Absorb. Btuh	Watts Input	COP
						75	80	85							
45	3	63	28.1	1747	35.7	18.2	22.9	27.6	16.1	2.8					
		67	29.8	1761	37.6	15.4	20.1	25.2	16.9						
		71	30.9	1775	38.8	8.2	15.9	21.0	17.4						
	5	63	30.0	1667	35.7	18.8	23.6	28.5	18.0	7.5	60	22.9	16.8	1782	3.8
		67	31.9	1680	37.6	15.9	20.7	26.0	19.0						
		71	33.1	1693	38.8	8.4	16.4	21.7	19.5						
	7	63	32.0	1587	35.7	19.4	24.4	29.4	20.2	15.0	60	23.2	17.0	1797	3.8
		67	34.0	1599	37.6	16.4	21.4	26.8	21.2						
		71	35.2	1612	38.8	8.7	16.9	22.4	21.8						
50	3	63	27.5	1862	35.4	18.1	22.7	27.4	14.8	2.8	60	22.5	16.4	1805	3.7
		67	28.8	1850	36.8	15.3	19.9	25.0	15.6						
		71	31.0	1890	39.3	8.1	15.8	20.4	16.4						
	5	63	29.4	1777	35.4	18.7	23.5	28.3	16.5	7.5	60	25.0	18.6	1880	3.9
		67	30.8	1765	36.8	15.8	20.6	25.8	17.5						
		71	33.2	1603	39.3	8.4	16.3	21.0	18.4						
	7	63	31.3	1691	35.4	19.2	24.2	29.2	18.5	15.0	60	25.4	18.9	1900	3.9
		67	32.8	1680	36.8	16.3	21.2	26.6	19.5						
		71	35.3	1717	39.3	8.6	16.8	21.7	20.6						
60	3	63	26.3	2048	34.7	17.4	22.1	—	12.8	2.8	60	28.0	20.6	2195	3.7
		67	27.5	2054	36.2	14.8	19.3	24.4	13.4						
		71	29.6	2084	38.4	7.7	15.3	19.8	14.2						
	5	63	28.1	1954	34.7	18.0	22.8	27.6	14.4	7.5	60	31.2	23.4	2285	4.0
		67	29.4	1960	36.2	15.3	19.9	25.1	15.0						
		71	31.7	1988	38.5	7.9	15.7	20.4	15.9						
	7	63	29.8	1860	34.7	18.5	23.5	28.5	16.1	15.0	60	31.6	23.7	2305	4.0
		67	31.3	1866	36.2	15.7	20.5	25.9	16.8						
		71	33.7	1893	38.4	8.2	16.2	21.1	17.8						
70	3	63	24.9	2237	33.9	16.9	21.2	—	11.1	2.8	60	31.5	23.5	2330	4.0
		67	26.2	2258	35.6	14.3	18.6	23.3	11.6						
		71	28.2	2279	37.5	7.5	14.7	19.5	12.4						
	5	63	26.7	2135	33.9	17.4	21.9	26.4	12.5	7.5	60	34.9	26.7	2430	4.2
		67	28.0	2155	35.6	14.7	19.2	24.1	13.0						
		71	30.1	2175	37.5	7.8	15.2	20.1	13.8						
	7	63	28.4	2033	33.9	17.9	22.6	27.3	14.0	15.0	60	35.4	27.1	2450	4.2
		67	29.8	2052	35.6	15.2	19.8	24.9	14.5						
		71	32.1	2071	37.5	8.1	15.7	20.7	15.5						
85	3	63	22.8	2454	32.4	16.5	20.9	—	9.3	2.8	60	37.6	28.7	2598	4.2
		67	24.1	2475	33.9	14.0	18.3	23.0	9.7						
		71	25.7	2496	34.2	7.3	14.5	19.2	10.3						
	5	63	24.4	2341	32.4	17.1	21.5	—	10.4	7.5	60	41.7	32.4	2709	4.5
		67	25.8	2361	33.9	14.4	18.8	23.7	10.9						
		71	27.5	2381	34.2	7.6	14.9	19.8	11.6						
	7	63	25.9	2229	32.4	17.6	22.2	—	11.7	15.0					
		67	27.4	2248	33.8	15.0	19.4	24.5	12.2						
		71	29.3	2267	37.0	7.8	15.4	20.4	12.9						
100	3	63	20.5	2657	30.6	15.4	19.7	—	7.7	2.8					
		67	21.8	2693	32.0	13.1	17.2	21.7	8.1						
		71	23.2	2704	36.9	6.8	13.5	18.1	8.6						
	5	63	21.9	2535	30.6	15.9	20.3	—	8.7	7.5					
		67	23.3	2560	32.0	13.5	17.7	22.5	9.1						
		71	24.8	2580	36.9	7.0	13.9	18.7	9.6						
	7	63	23.4	2413	30.6	16.5	21.0	—	9.7	15.0					
		67	24.8	2437	32.0	14.0	18.3	23.2	10.2						
		71	26.4	2456	36.9	7.2	14.4	19.3	10.8						

ALL BTUH ARE THOUSANDS



SPECIFICATION DATA SHEET

BLOWER PERFORMANCE

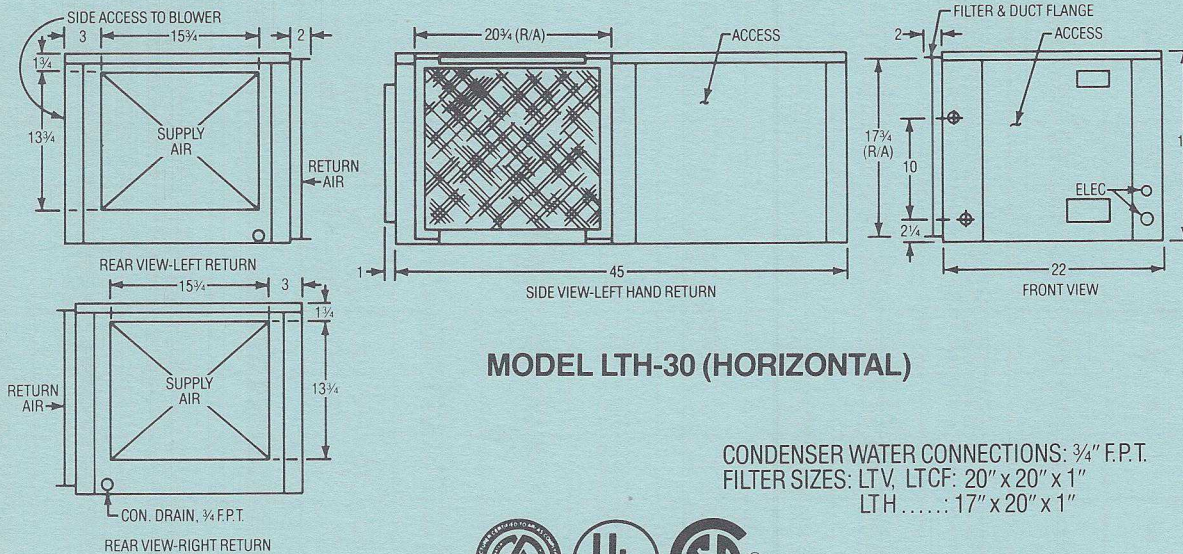
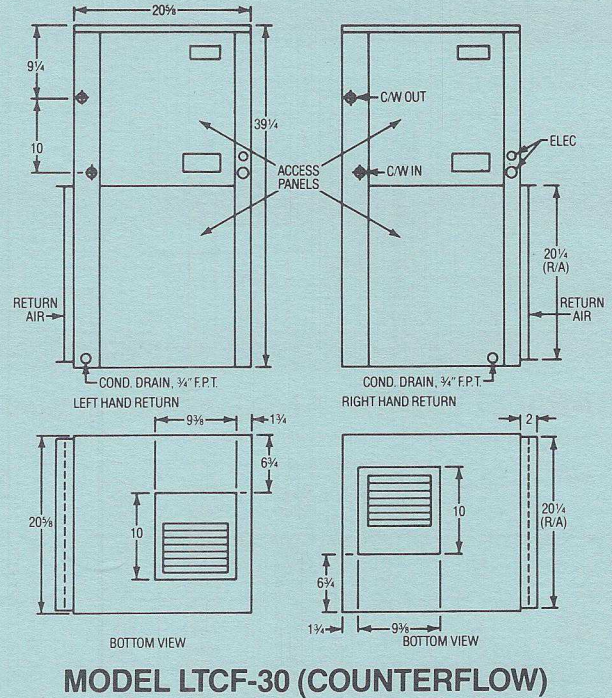
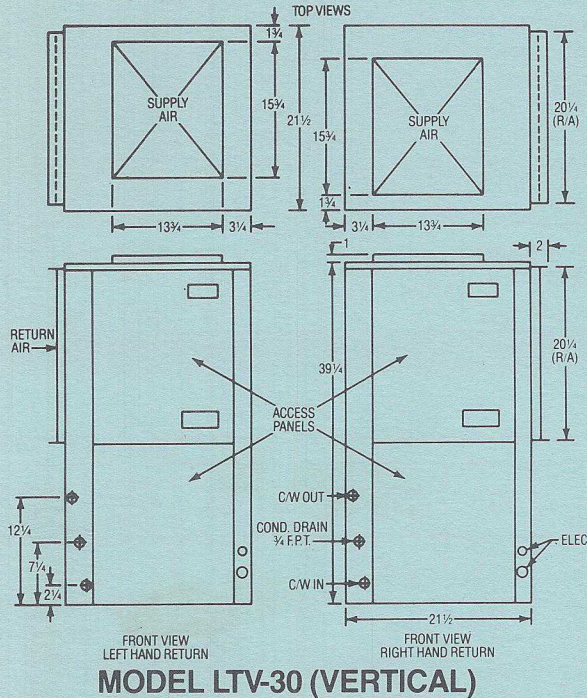
LT 30 LO-TEMP SERIES

AVAILABLE EXTERNAL STATIC PRESSURE (In. H ₂ O) (Including allowance for wet coil and filter)								
.10	.15	.20	.25	.30	.35	.40	.50	
1030	1000	975	950	920	900	875	860	

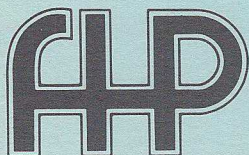
All performance at 230 Volts.

Physical Characteristics

LT 30 Series are available in three configurations. Standard piping is as shown (left-hand) connections. Return air is available either L.H. or R.H. viewing from the front of the unit.



CONDENSER WATER CONNECTIONS: 3/4" F.P.T.
 FILTER SIZES: LTV, LTCF: 20" x 20" x 1"
 LTH: 17" x 20" x 1"



FHP MANUFACTURING
 601 N.W. 65TH COURT
 FT. LAUDERDALE, FL 33309
 PHONE: (305) 776-5471 / FAX: 776-5529

As a result of continuing research and development, all ratings and specifications are subject to change without notice.