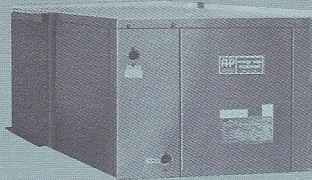




MODEL LTV  
(Vertical)



MODEL LTH  
(Horizontal)



MODEL LTCF  
(Counterflow)



**SPECIFICATION  
DATA SHEET**

**LT 15  
LO-TEMP SERIES**

**FLORIDA HEAT PUMP HIGH-EFFICIENCY  
WATER SOURCE HEAT PUMPS**

**ELECTRICAL SPECIFICATIONS**

Electrical Characteristics	Elect. Sym.	Compressor		Blower		Rated (2) Oper. Amp.		Min. Circuit Ampacity	Fuse (T/D) HACR Cir. Bkr.
		RLA	LRA	NPA	H.P.	Cool	Heat		
208/230-1-60	-1	7.7	31	.85	1/10	5.9	6.2	10.5	15
265-1-60	-2	6.8	27	.74	1/10	5.6	5.9	9.3	15

Model LT 15 units are complete packages containing all refrigeration components: hermetic compressor, reversing valve, expansion valve metering device and water-to-refrigerant condenser. Also included are safety controls: Overload protection for motors, high and low refrigerant pressure switches and a lock-out impedance relay. The units are finished in a beige color.

(2) ARI high temp. operation.

**MECHANICAL SPECIFICATIONS**

COOLING (ARI CERTIFIED)					HEATING (ARI CERTIFIED)					CFM (1)	EVAPORATOR				BLWR SIZE	WEIGHT	
HIGH TEMP.		LOW TEMP.		GPM	HIGH TEMP.		LOW TEMP.		GPM		FACE AREA	ROWS DEEP	TUBE SIZE	FPI		NET	SHIPPING
Btuh	EER	Btuh	EER		Btuh	COP	Btuh	COP									
14800	11.0	16700	13.5	2.0	16900	3.3	13300	3.0	2.0	500	1.42	3	3/8	14	6.3 x 5	151	159

Certified ratings per ARI Std. 325. Evaporator face area in sq. ft. All condensers with enhanced tube surface. All evaporators with enhanced tube & fin surface.

**CAPACITY DATA: All performance at rated CFM (1).**

EWT °F	GPM	COOLING								HEATING					
		Ent. Air W.B., °F	Total Btuh	Watts Input	Heat Rej. Btuh	Sensible Btuh, at ent. air dry bulb, °F			EER	WPD Ft. Hd.	Ent. Air D.B., °F	Htg. Btuh	Heat of Absorb. Btuh	Watts Input	COP
						75	80	85							
45	2	63	16.1	1048	19.6	11.6	14.6	—	15.3	4.4					
		67	17.0	1060	20.6	9.8	12.8	16.0	16.1						
		71	18.1	1068	21.8	5.2	10.1	13.4	17.0						
	3	63	17.3	985	19.6	12.0	15.1	—	17.6	9.9	60	13.6	9.7	1140	3.5
		67	18.4	996	20.6	10.2	13.2	16.6	18.5						
		71	19.6	1004	21.8	5.4	10.5	13.9	19.5						
	4	63	18.6	923	19.6	12.5	15.7	—	20.2	17.7	60	13.8	9.8	1155	3.5
		67	19.8	933	20.7	10.5	13.7	17.3	21.2						
		71	21.1	940	21.8	5.6	11.0	14.4	22.4						
50	2	63	15.7	1108	19.5	11.3	14.3	—	14.2	4.4	60	14.1	10.2	1155	3.6
		67	16.7	1120	20.5	9.6	12.5	15.7	14.9						
		71	17.7	1128	21.6	5.1	9.9	13.1	15.7						
	3	63	17.0	1042	19.5	11.8	14.8	—	16.3	9.9	60	14.4	10.4	1173	3.6
		67	18.0	1053	20.5	10.0	13.0	16.3	17.1						
		71	19.2	1061	21.6	5.3	10.3	13.6	18.1						
	4	63	18.3	975	19.5	12.2	15.4	—	18.7	17.7	60	14.7	10.6	1190	3.6
		67	19.4	986	20.5	10.3	13.5	16.9	19.7						
		71	20.6	993	21.6	5.5	10.7	14.1	20.8						
60	2	63	14.8	1176	18.9	10.6	13.6	—	12.6	4.4	60	15.2	11.1	1215	3.7
		67	15.7	1188	19.8	9.0	11.8	14.9	13.3						
		71	16.8	1196	20.9	4.7	9.3	12.5	14.0						
	3	63	16.0	1105	18.9	11.1	14.1	—	14.5	9.9	60	15.6	11.4	1233	3.7
		67	17.0	1116	19.8	9.4	12.3	15.6	15.3						
		71	18.1	1124	20.9	4.8	9.7	12.9	16.1						
	4	63	17.3	1035	18.8	11.5	14.6	—	16.7	17.7	60	15.9	11.6	1250	3.7
		67	18.3	1045	19.8	9.7	12.7	16.2	17.5						
		71	19.5	1052	20.9	5.0	10.0	13.5	18.5						
70	2	63	13.9	1243	18.2	10.1	12.6	—	11.2	4.4	60	17.9	13.3	1345	3.9
		67	14.8	1255	19.1	8.5	11.1	13.9	11.8						
		71	15.7	1263	20.1	4.5	8.8	11.6	12.5						
	3	63	15.1	1169	18.2	10.5	13.2	—	12.9	9.9	60	18.2	13.6	1363	3.9
		67	16.0	1180	19.1	8.8	11.5	14.5	13.6						
		71	17.0	1188	20.1	4.7	9.1	12.1	14.3						
	4	63	16.2	1094	18.2	10.9	13.6	—	14.8	17.7	60	18.5	13.8	1380	3.9
		67	17.2	1104	19.1	9.2	11.9	15.0	15.6						
		71	18.3	1112	20.1	4.9	9.5	12.5	16.5						
85	2	63	12.8	1352	17.4	9.1	11.7	—	9.5	4.4	60	21.3	16.2	1499	4.2
		67	13.5	1368	18.2	7.8	10.2	12.9	9.9						
		71	14.4	1380	19.1	4.0	8.0	10.8	10.5						
	3	63	13.8	1271	17.4	9.5	12.2	—	10.9	9.9	60	21.7	16.5	1519	4.2
		67	14.6	1285	18.2	8.1	10.6	13.5	11.4						
		71	15.6	1297	19.2	4.1	8.3	11.2	12.0						
	4	63	14.9	1190	17.4	9.9	12.7	—	12.5	17.7	60	20.1	14.8	1533	3.8
		67	15.8	1203	18.2	8.4	11.0	14.0	13.1						
		71	16.8	1214	19.2	4.3	8.7	11.7	13.8						



# SPECIFICATION DATA SHEET

# BLOWER PERFORMANCE

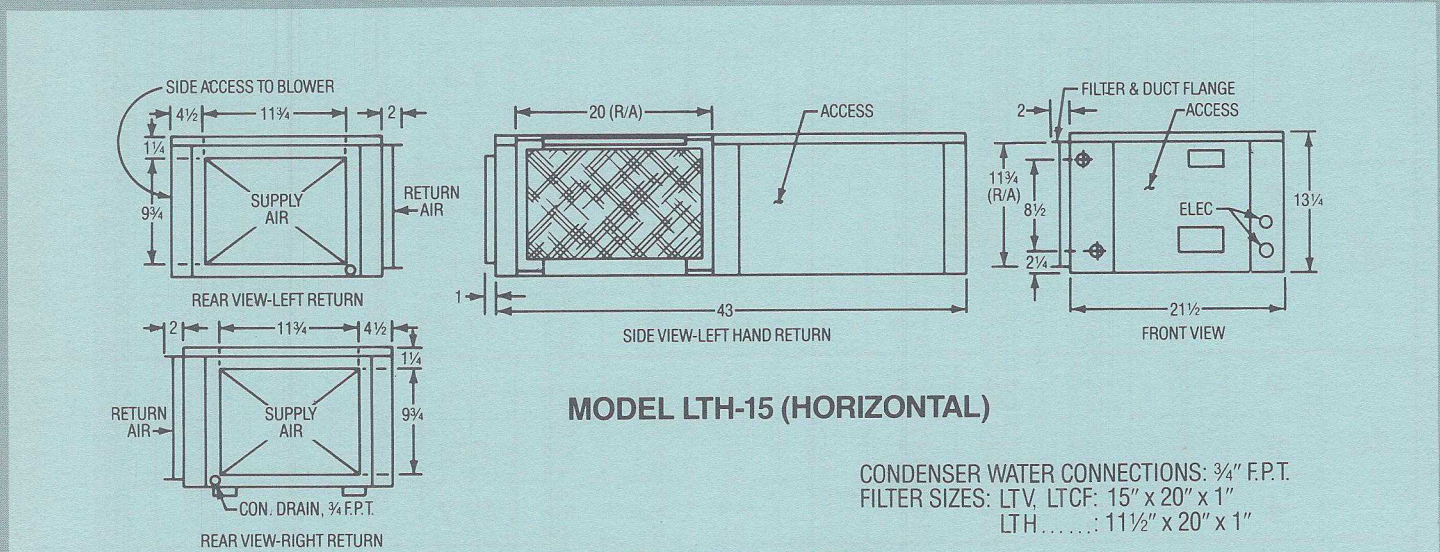
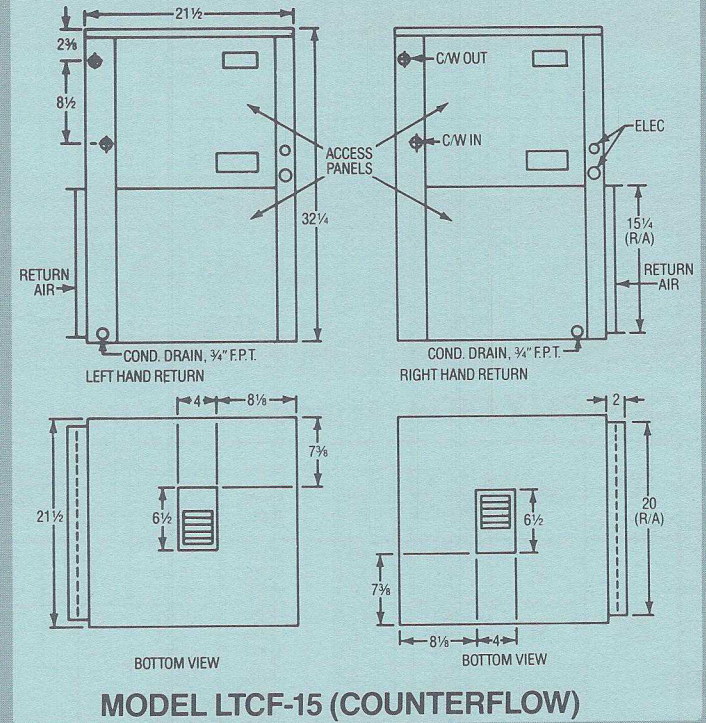
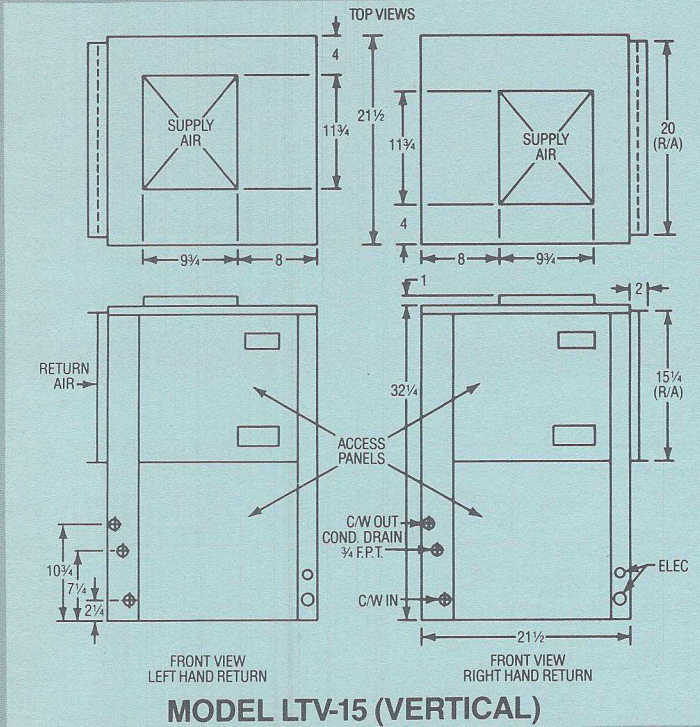
# Physical Characteristics

## LT 15 LO-TEMP SERIES

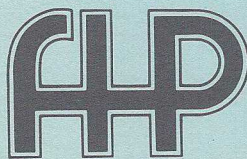
AVAILABLE EXTERNAL STATIC PRESSURE (In. H <sub>2</sub> O) (Including allowance for wet coil and filter)								
* Fan Speed	.10	.15	.20	.25	.30	.35	.40	.50
HI	550	530	510	490	465	450	435	425
LO	505	490	460	440	420	410	400	385

\*All performance at 230 Volts.

LT 15 Series are available in three configurations. Standard piping is as shown (left-hand) connections. Return air is available either L.H. or R.H. viewing from the front of the unit.



CONDENSER WATER CONNECTIONS: 3/4" F.P.T.  
 FILTER SIZES: LTV, LTCF: 15" x 20" x 1"  
 LTH.....: 11 1/2" x 20" x 1"



**FHP MANUFACTURING**  
 601 N.W. 65TH COURT  
 FT. LAUDERDALE, FL 33309  
 PHONE: (305) 776-5471 / FAX: 776-5529

As a result of continuing research and development, all ratings and specifications are subject to change without notice.