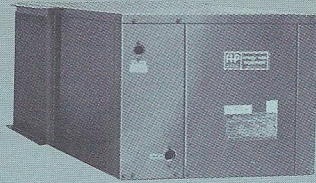
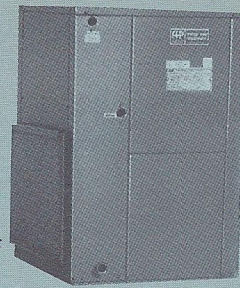




MODEL LTV  
(Vertical)



MODEL LTH  
(Horizontal)



MODEL LTCF  
(Counterflow)



**SPECIFICATION  
DATA SHEET**

**LT 10  
LO-TEMP SERIES**

**FLORIDA HEAT PUMP HIGH-EFFICIENCY  
WATER SOURCE HEAT PUMPS**

**ELECTRICAL SPECIFICATIONS**

Electrical Characteristics	Elect. Sym.	Compressor		Blower		Rated (2) Oper. Amp.		Min. Circuit Ampacity	Fuse (T/D) HACR Cir. Bkr.
		RLA	LRA	NPA	H.P.	Cool	Heat		
208/230-1-60	-1	3.6	20	.42	1/20	3.5	4.2	4.9	15
265-1-60	-2	3.1	16	.38	1/20	3.0	3.7	4.3	15

Model LT 10 units are complete packages containing all refrigeration components: hermetic compressor, reversing valve, expansion valve metering device and water-to-refrigerant condenser. Also included are safety controls: Overload protection for motors, high and low refrigerant pressure switches and a lock-out impedance relay. The units are finished in a beige color.

**MECHANICAL SPECIFICATIONS**

(2) ARI high temp. operation.

COOLING (ARI CERTIFIED)					HEATING (ARI CERTIFIED)					CFM (1)	EVAPORATOR				BLWR SIZE	WEIGHT	
HIGH TEMP.		LOW TEMP.		GPM	HIGH TEMP.		LOW TEMP.		GPM		FACE AREA	ROWS DEEP	TUBE SIZE	FPI		NET	SHIPPING
Btuh	EER	Btuh	EER		Btuh	COP	Btuh	COP									
9800	10.4	11000	13.3	2.5	12000	3.5	8200	2.8	1.5	350	.90	3	3/8	12	5.5 x 5	127	134

Certified ratings per ARI Std. 325. Evaporator face area in sq. ft. All condensers with enhanced tube surface. All evaporators with enhanced tube & fin surface.

**CAPACITY DATA: All performance at rated CFM (1).**

EWT °F	GPM	COOLING								HEATING					
		Ent. Air W.B., °F	Total Btuh	Watts Input	Heat Rej. Btuh	Sensible Btuh, at ent. air dry bulb, °F			EER	WPD Ft. Hd.	Ent. Air D.B., °F	Htg. Btuh	Heat of Absorb. Btuh	Watts Input	COP
						75	80	85							
45	1.5	63	9.9	643	12.1	6.5	8.2	—	15.4	3.2					
		67	10.5	650	12.7	5.5	7.2	9.0	16.2						
		71	11.2	657	13.4	2.9	5.7	7.5	17.0						
	2.5	63	10.6	613	12.7	6.7	8.5	10.2	17.3	8.8	60	8.2	5.7	700	3.4
		67	11.2	620	13.3	5.7	7.4	9.3	18.1						
		71	12.0	627	14.1	3.0	5.9	7.8	19.1						
3.5	63	11.3	584	13.3	6.9	8.7	10.5	19.3	17.2	60	8.5	5.8	710	3.5	
	67	12.0	590	14.0	5.9	7.7	9.6	20.3							
	71	12.7	597	14.7	3.1	6.1	8.0	21.3							
50	1.5	63	9.7	679	12.0	6.4	8.0	—	14.3	3.2	60	8.7	6.1	740	3.4
		67	10.3	686	12.6	5.4	7.0	8.8	15.0						
		71	10.9	693	13.3	2.9	5.6	7.4	15.7						
	2.5	63	10.4	648	12.6	6.6	8.3	10.0	16.0	8.8	60	9.0	6.4	755	3.5
		67	11.0	655	13.1	5.6	7.3	9.1	16.8						
		71	11.7	662	14.0	3.0	5.8	7.6	17.7						
3.5	63	11.0	617	13.1	6.8	8.5	10.3	17.8	17.2	60	9.2	6.6	770	3.5	
	67	11.7	624	13.8	5.7	7.5	9.4	18.9							
	71	12.5	630	14.6	3.0	5.9	7.8	19.8							





# SPECIFICATION DATA SHEET

## LT 10 LO-TEMP SERIES

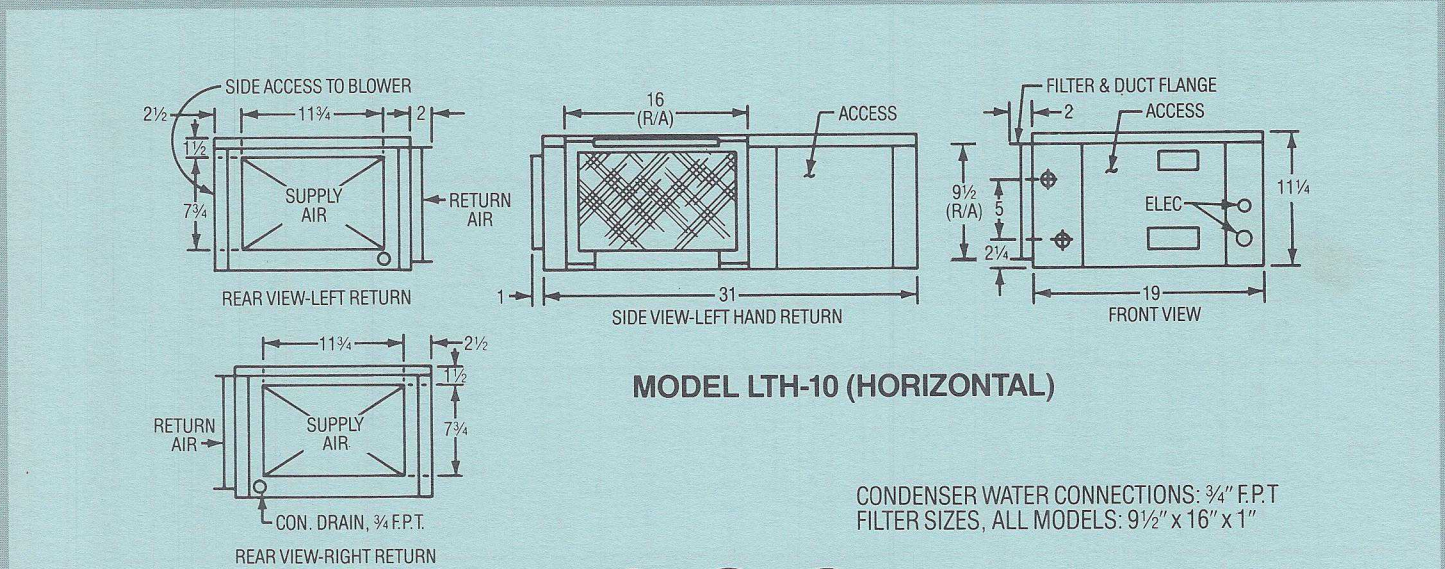
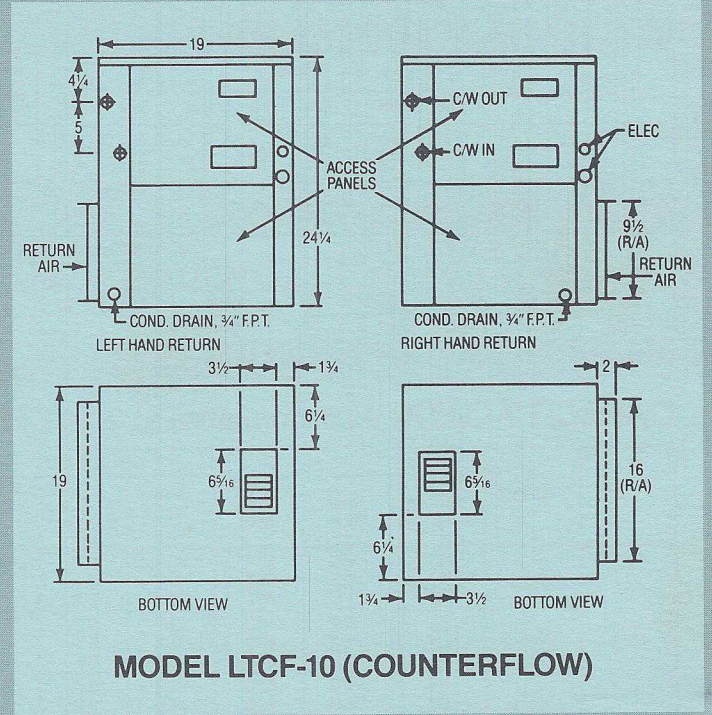
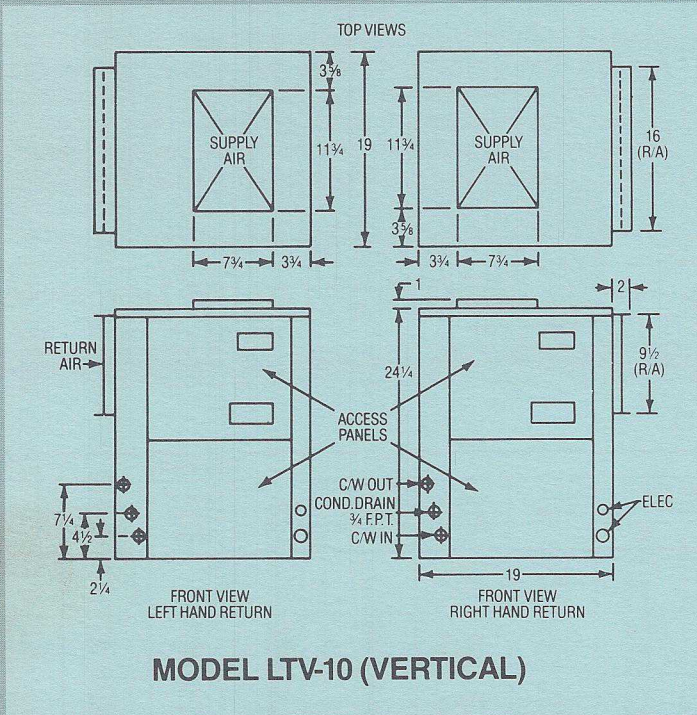
### BLOWER PERFORMANCE

AVAILABLE EXTERNAL STATIC PRESSURE (In. H <sub>2</sub> O) (Including allowance for wet coil and filter)							
.10	.15	.20	.25	.30	.35	.40	.50
350	340	325	305	290	270	255	240

All performance at 230 Volts.

### Physical Characteristics

LT 10 Series are available in three configurations. Standard piping is as shown (left-hand) connections. Return air is available either L.H. or R.H. viewing from the front of the unit.



CONDENSER WATER CONNECTIONS: 3/4" F.P.T.  
FILTER SIZES, ALL MODELS: 9 1/2" x 16" x 1"



**FHP MANUFACTURING**  
601 N.W. 65TH COURT  
FT. LAUDERDALE, FL 33309  
PHONE: (305) 776-5471 / FAX: 776-5529

As a result of continuing research and development, all ratings and specifications are subject to change without notice.