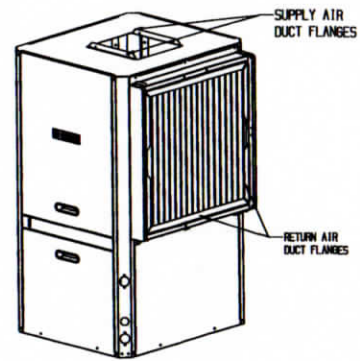
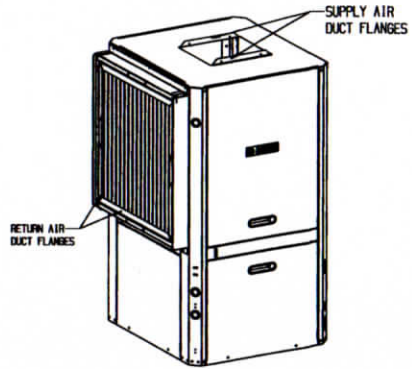
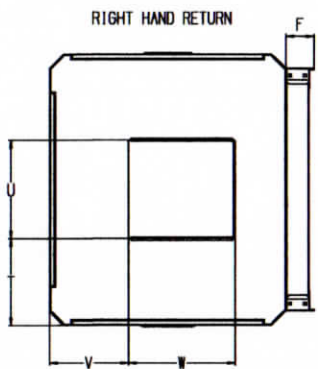
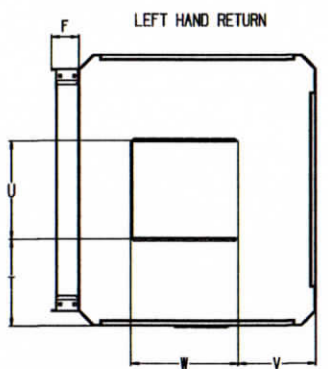
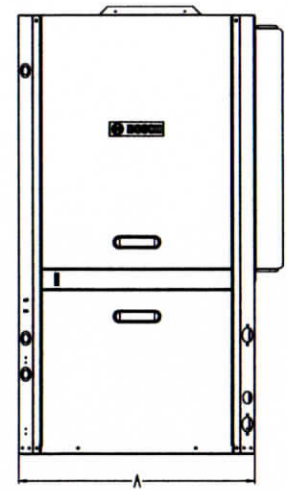
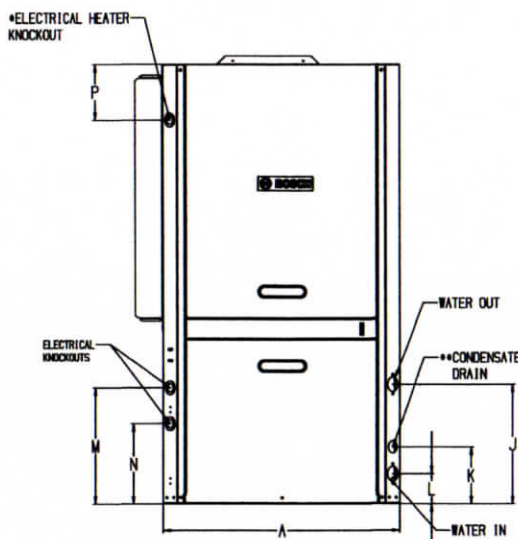
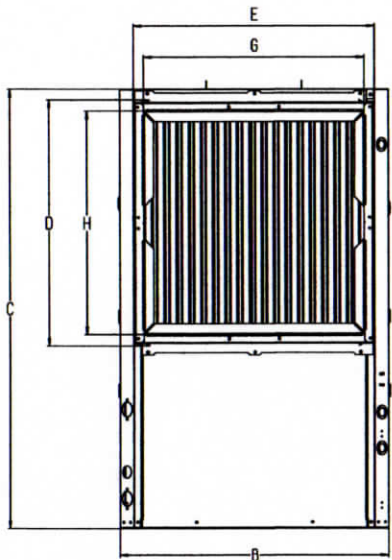


# Vertical Unit Dimensions

## Vertical Top Discharge Water Source Heat Pump

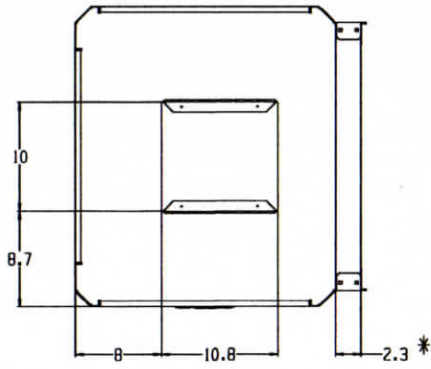
Model	A	B	C	FILTER RACK			RETURN AIR DUCT		WATER OUT	DRAIN PORT	WATER IN	ELECTRICAL KNOCKOUT	N	P	SUPPLY AIR DUCT OPENING				WATER CONNECTIONS	FILTER SIZE				
				HEIGHT	WIDTH	DEPTH	WIDTH	HEIGHT							LH	RH	LH	RH			LH	RH		
																							HEIGHT	WIDTH
LMO24-VT	24.0	27.4	44.4	24.9	24.5	3.3	22.3	22.4	12.1	5.8	3.1	11.7	8.1	5.7	8.7	8.7	10	1.9	8	10.8	10.8	3/4" F.P.T	24X24X2 (11)	
LMO36-VT	25.8	33.4	52.4	32.9	30.5	3.3	28.4	30.6	14.9	5.8	3.1	11.7	8.1	5.7	10.8	10.8	11.7	11.7	1.9	8.9	13	13	1" F.P.T	16X30X2 (2)
LMO48-VT	25.8	33.4	52.4	32.9	30.5	3.3	28.4	30.6	14.9	5.8	3.1	11.7	8.1	5.7	10.8	10.8	11.7	11.7	1.9	8.9	13	13	1" F.P.T	16X30X2 (2)
LMO80-VT	27.0	33.4	61.8	41.0	30.5	3.3	28.4	38.7	14.9	5.8	3.1	11.7	8.1	5.7	9.6	9.6	14.1	14.1	1.9	8.9	13	13	1" F.P.T	20X30X2 (2)
LMO70-VT	27.0	33.4	61.8	41.0	30.5	3.3	28.4	38.7	14.9	5.8	3.1	11.7	8.1	5.7	9.6	9.6	14.1	14.1	1.9	8.9	13	13	1" F.P.T	20X30X2 (2)



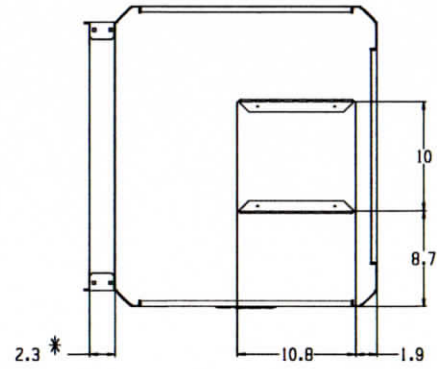
- NOTES:
- ELECTRICAL HEAT IS OPTIONAL FEATURES
  - \*\* CONDENSATE DRAIN CONNECTION - 3/4" FPT
  - ALL DIMENSIONS WITHIN +/-0.125"
  - RETURN & SUPPLY AIR DUCT FLANGES SHIPPED UNFOLDED
  - ALL DIMENSIONS ARE IN INCHES
  - SPECIFICATIONS SUBJECT TO CHANGE WITHOUT NOTICE

# Vertical Unit Dimensions

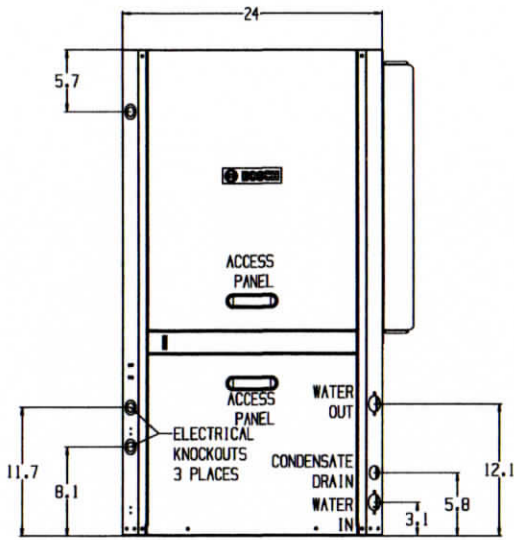
## LM024 – Vertical Top Discharge Water Source Heat Pump



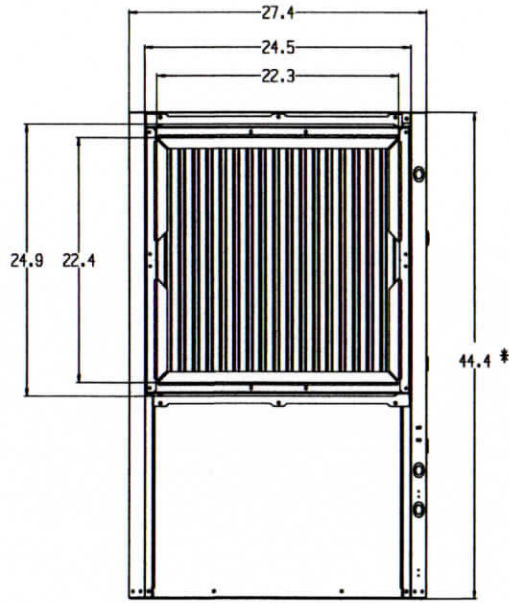
TOP VIEW - RIGHT HAND RETURN



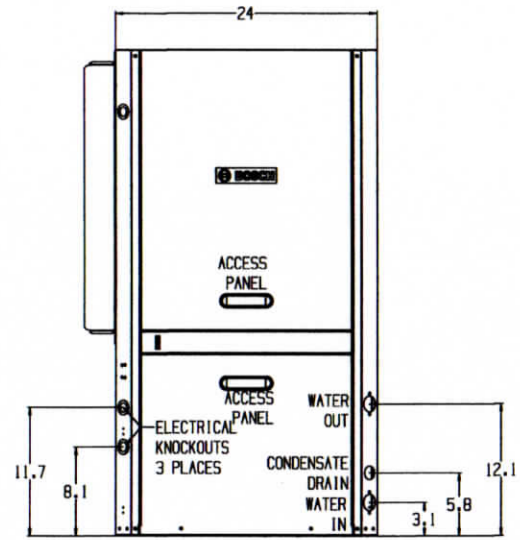
TOP VIEW - LEFT HAND RETURN



FRONT FRT



FILTER SIDE



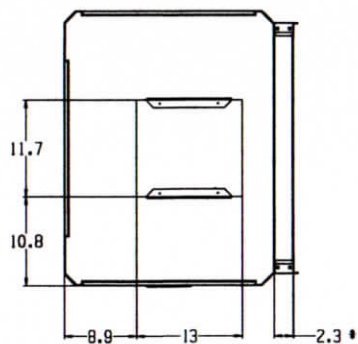
FRONT FLI

NOTE:  
 • ADD 1" FOR DUCT COLLAR/RETURN AIR DUCT FLANGE SHOWN UNBENT

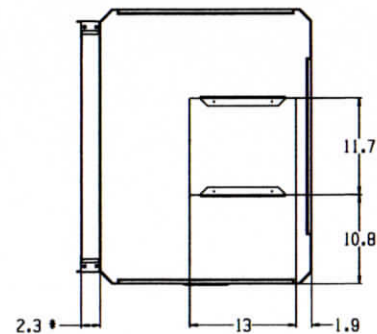
LM-024 RIGHT & LEFT HAND VERTICAL  
 CERTIFIED DRAWING  
 ROBERT BOSCH LLC RESERVES THE RIGHT  
 TO MAKE CONTINUOUS IMPROVEMENTS THAT  
 MAY AFFECT THE DIMENSIONS SHOWN

# Vertical Unit Dimensions

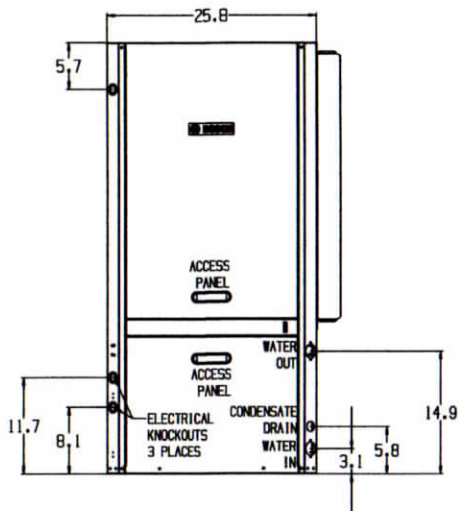
## LM036/048 – Vertical Top Discharge Water Source Heat Pump



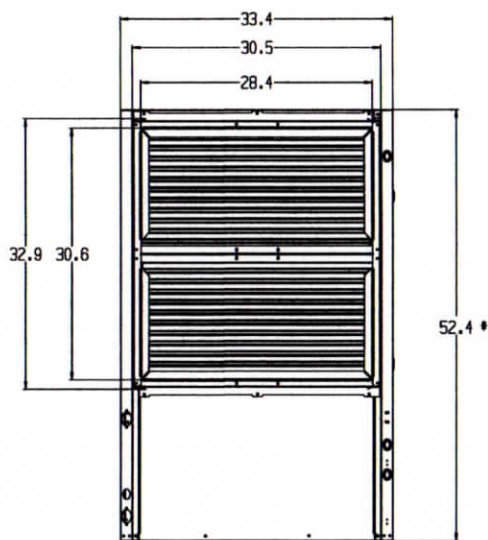
TOP VIEW - RIGHT HAND RETURN



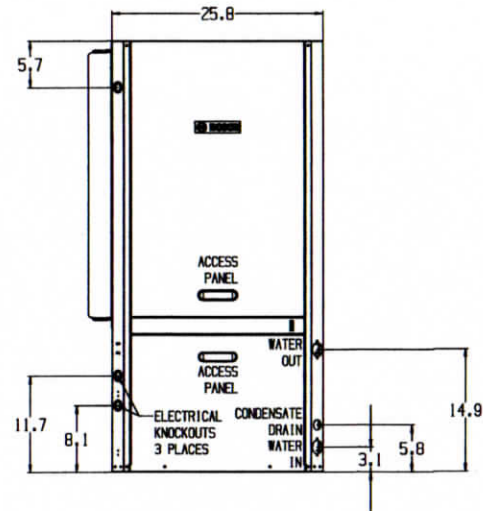
TOP VIEW - LEFT HAND RETURN



FRONT FRT



FILTER SIDE



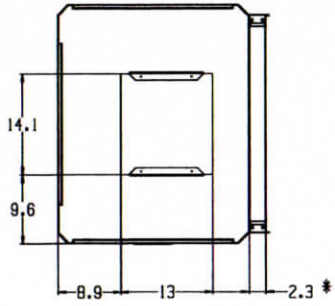
FRONT FLT

NOTE:  
 • ADD 1" FOR DUCT COLLAR/RETURN AIR DUCT FLANGE SHOWN UNBENT

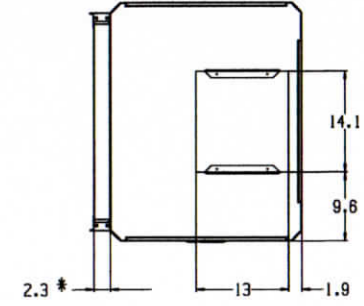
LM036-048 RIGHT & LEFT HAND VERTICAL  
 CERTIFIED DRAWING  
 ROBERT BOSCH LLC RESERVES THE RIGHT  
 TO MAKE CONTINUOUS IMPROVEMENTS THAT  
 MAY AFFECT THE DIMENSIONS SHOWN

# Vertical Unit Dimensions

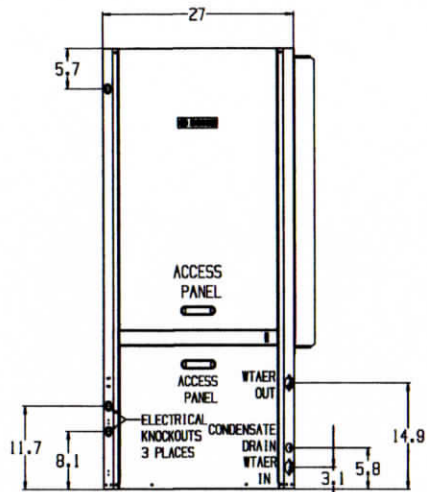
## LM060/070 - Vertical Top Discharge Water Source Heat Pump



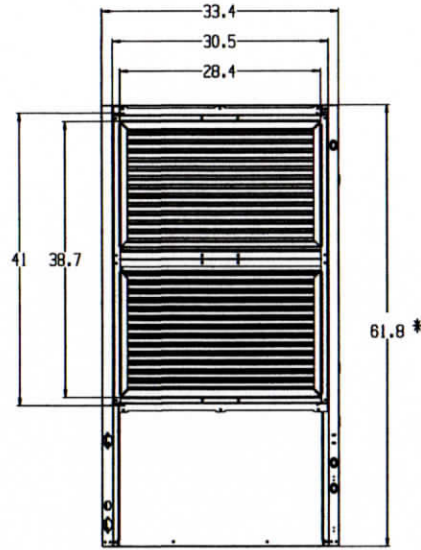
TOP VIEW - RIGHT HAND RETURN



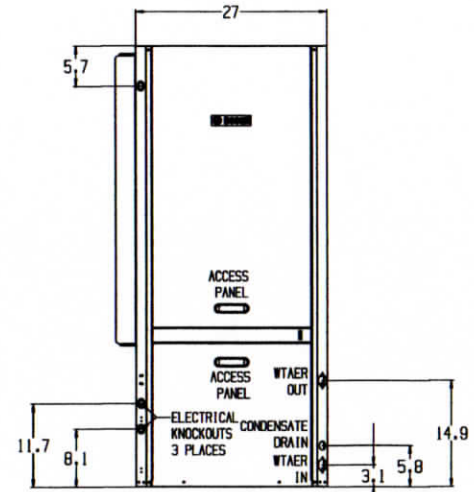
TOP VIEW - LEFT HAND RETURN



FRONT FRT



FILTER SIDE



FRONT FLT

NOTE:  
 • ADD 1" FOR DUCT COLLAR/RETURN AIR DUCT FLANGE SHOWN UNBENT

LM060-070 RIGHT & LEFT HAND VERTICAL  
 CERTIFIED DRAWING  
 ROBERT BOSCH LLC RESERVES THE RIGHT  
 TO MAKE CONTINUOUS IMPROVEMENTS THAT  
 MAY AFFECT THE DIMENSIONS SHOWN