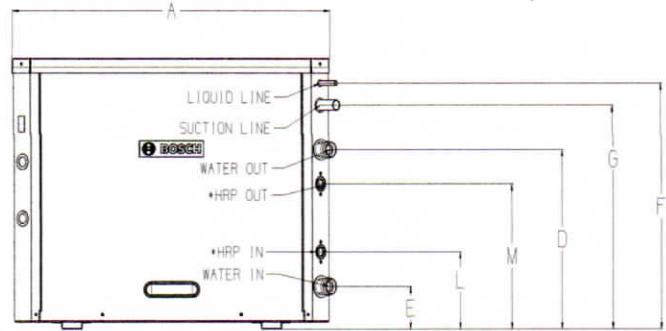
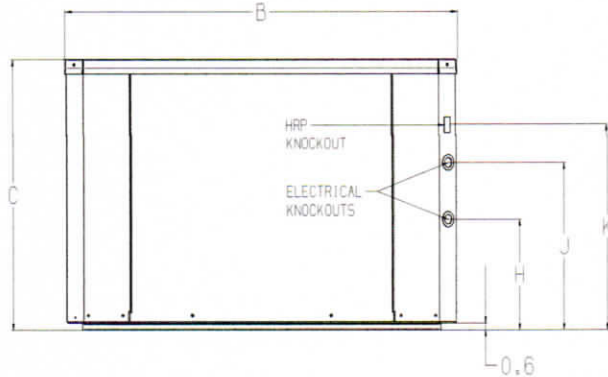


## Condensing Section Dimensions

Model	A	B	C	D	E	F	G	H	J	Water Connections
	Width	Depth	Height	Water Out	Water In	Liquid Connection	Suction Connection	Electrical Knockout		
<b>LM024-CS</b>	24	27.4	21.5	12.7	3.7	3/8" @ 19.4	7/8" @ 17.6	8.6	13.5	3/4" F.P.T
<b>LM036-CS</b>	24	27.4	21.5	15.5	3.5	3/8" @ 19.4	7/8" @ 17.6	8.6	13.5	1" F.P.T
<b>LM048-CS</b>	24	27.4	21.5	15.5	3.5	3/8" @ 19.4	7/8" @ 17.6	8.6	13.5	1" F.P.T
<b>LM060-CS</b>	27	33.4	23.3	15.5	3.7	3/8" @ 21.2	1" @ 19.4	9.5	14.4	1" F.P.T
<b>LM070-CS</b>	27	33.4	23.3	15.5	3.7	3/8" @ 21.2	1" @ 19.4	9.5	14.4	1" F.P.T

NOTES: All dimensions within +/- 0.125  
All dimensions in Inches

Specifications subject to change without notice.

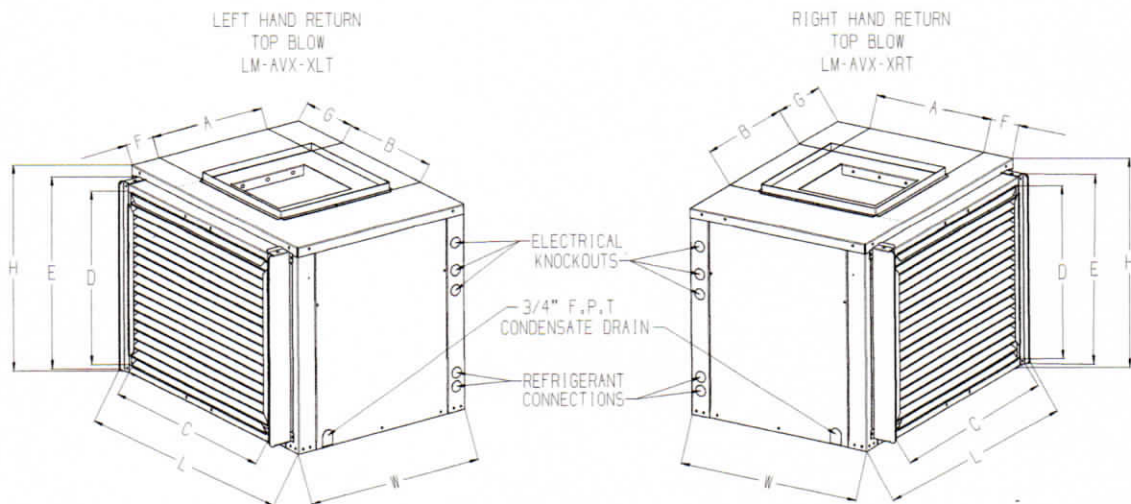


## Vertical Air Handler Dimensions

Overall unit dimensions do not include filter rack or duct flanges.

Model	L	W	H	C	D	E	A	B	G	F	F	Recommended Replacement Nominal Filter Size
	Length	Width	Height	R/A Duct Flange Width	R/A Duct Flange Height	Filter Rack Height	Top Blow Units (XLT & XRT)					
							S/A Duct Collar		XLT	XRT		
<b>LM024</b>	26.00	21.5	25.75	22.00	22.25	24.00	15.75	13.75	6.13	5.25	4.00	24x24x1
<b>LM036</b>	26.00	21.5	25.75	22.00	22.25	24.00	15.75	13.75	6.13	5.25	4.00	24x24x1
<b>LM048</b>	32.75	24.0	25.75	28.50	22.25	24.00	15.75	15.75	8.38	5.50	3.50	24x30x1
<b>LM060</b>	33.25	26.0	27.75	28.50	22.25	24.00	17.75	17.75	8.37	6.25	4.00	24x30x1
<b>LM070</b>	33.25	26.0	35.75	28.50	30.25	32.00	17.75	17.75	8.37	6.25	4.00	16x30x1 (2)

NOTES: All dimensions in inches unless otherwise noted. All dimensions within +/- 0.125". Specifications subject to change without notice.  
1" filter rack extends 1.23" beyond the side of the unit. 2" filter rack extends 2.89" beyond the side of the unit.  
The 2" filter rack is 4 sided with a filter access door on each end and can accept either a 1" or 2" filter.



Subject to change without prior notice.

# Horizontal Air Handler Dimensions

Overall unit dimensions do not include filter rack or duct flanges.

Model	L	W	H	A	B	C	D	E	F	G	F	G	F	G	F	G	Recommended Replacement Nominal Filter Size
	Length	Width	Height	S/A Duct Height	S/A Duct Width	R/A Duct FLG Width	R/A Duct FLG Height	Filter Rack Height	Left Hand Return End Blow (XLE)		Right Hand Return End Blow (XRE)		Left Hand Return Straight Through (XLS)		Right Hand Return Straight Through (XRS)		
<b>LM024</b>	33.00	26.00	21.75	15.75	13.75	30.00	16.00	18.00	1.25	4.13	2.00	4.13	1.38	10.63	1.88	10.63	20x30x1
<b>LM036</b>	33.00	26.00	21.75	15.75	13.75	30.00	16.00	18.00	1.25	4.13	2.00	4.13	1.38	10.63	1.88	10.63	20x30x1
<b>LM048</b>	38.50	30.00	21.75	15.75	15.75	33.50	18.50	20.50	2.63	4.00	2.63	4.00	2.63	11.38	2.63	11.38	20x34.5x1
<b>LM060</b>	38.50	30.00	21.75	17.75	17.75	33.50	18.50	20.50	1.50	4.13	1.75	4.13	1.75	10.38	1.50	10.38	20x34.5x1
<b>LM070</b>	49.50	30.00	21.75	17.75	17.75	44.00	18.50	20.50	1.50	4.13	1.75	4.13	1.75	15.63	1.50	15.63	20x24x1 (2)

NOTES: All dimensions within  $\pm 0.125$ ". All condensate drain connections are 3/4" FPT. Horizontal units can be field converted between end blow and straight through supply air configurations. Specifications subject to change without notice.  
 1" filter rack extends 1.23" beyond the side of the unit. 2" filter rack extends 2.89" beyond the side of the unit.  
 The 2" filter rack is 4 sided with a filter access door on each end and can accept either a 1" or 2" filter.  
 Refrigerant line connections are located directly behind refrigerant line knockouts.

The local electric codes may require 36" or more clearance at the electrical control box.

