

STATUS LED/ALARM BLINK CODES	
1	HIGH PRESSURE FAULT
2	LOW PRESSURE FAULT
3	FREEZE SENSOR FAULT
4	CONDENSATE FAULT
5	BROWN OUT FAULT

UNIT
GROUND
LUG



FACTORY WIRE _____
FIELD WIRE -----

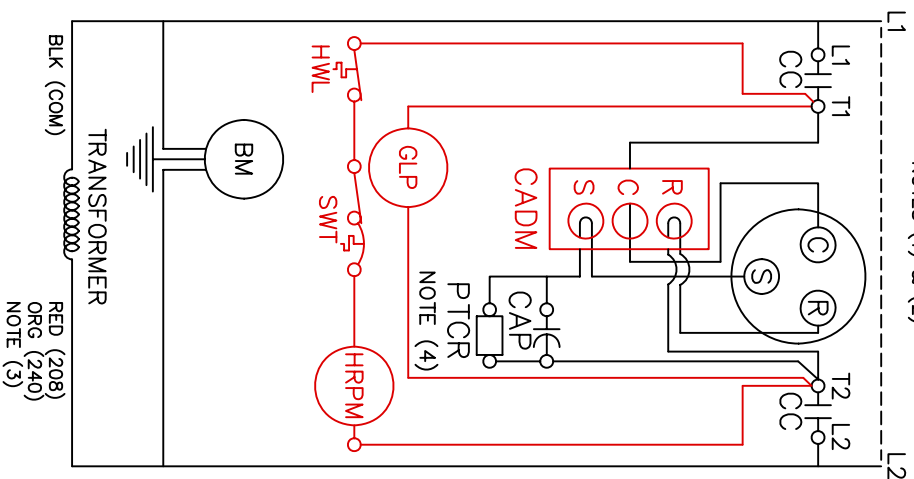
STANDARD COMPONENTS LEGEND:

- BM - BLOWER MOTOR
- CAP - COMPRESSOR CAPACITOR
- CC - COMPRESSOR CONTACTOR
- CCH - CRANKS HTR (WHEN SUPPLIED)
- EOVD - EXTERNAL OVERLOAD (NOTE 5)
- HPS - HIGH PRESSURE SWITCH
- LPS - LOW PRESSURE SWITCH
- PTCR - POS TEMP COEFF RESISTOR (WHEN SUPPLIED)
- RV - REVERSING VLV (HEAT PUMPS)

OPTIONAL COMPONENTS LEGEND:

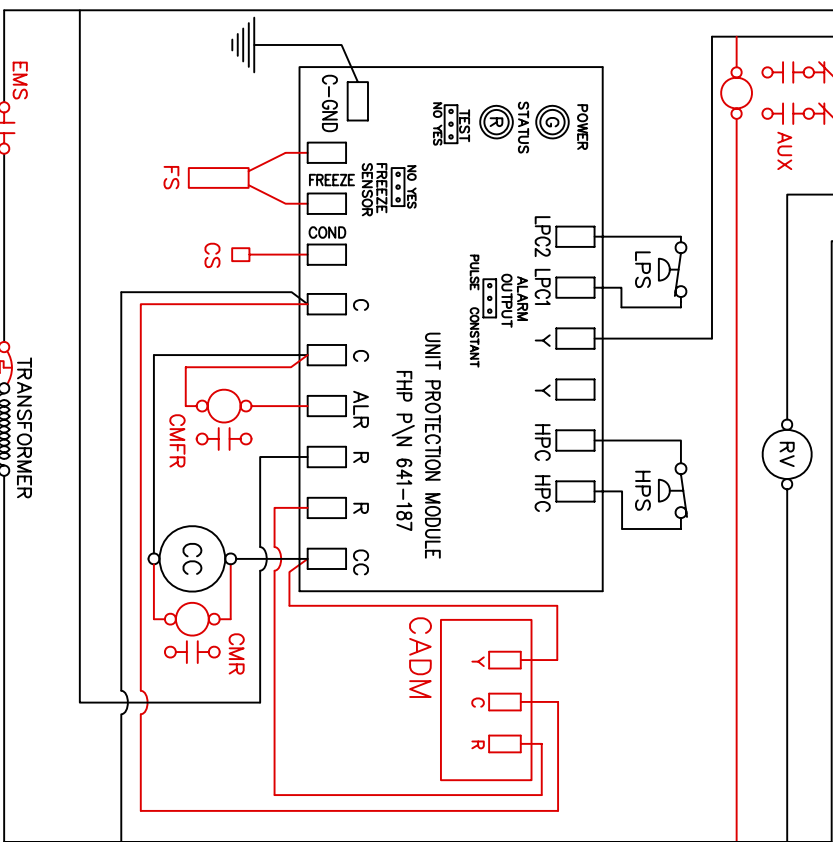
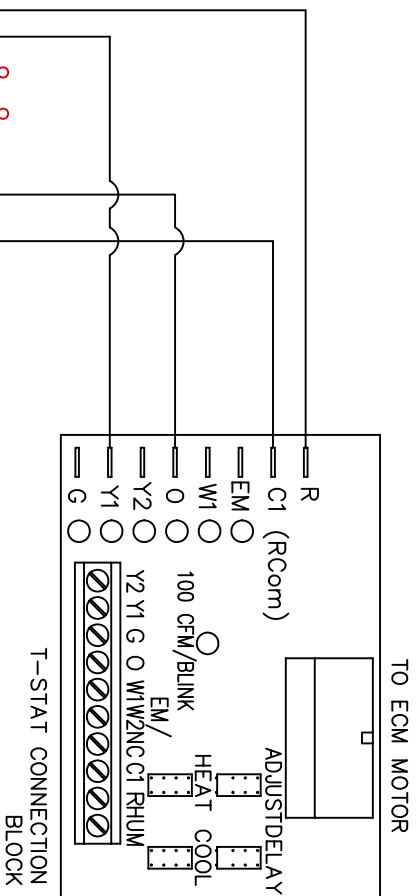
- [] AUX - AUXILIARY RELAY (FOR LOOP PUMP, ETC.)
- BMR - BLOWER MONITOR RELAY
- CADM - COMFORT ALERT DIAGNOSTICS MODULE
- CBR - 24V CRCT BRKR (75VA ONLY)
- CMFR - COMPR MALFUNCTION RELAY
- CMR - COMPR MONITOR RELAY
- CS - CONDENSATE SENSOR INSTALLED
- EMS - ENERGY MGMT SYSTEM RELAY
- FS - FREEZE SENSOR INSTALLED (NOTE 10)
- GLP - GROUND LOOP PUMP
- HRP - HEAT RECOVERY PACKAGE, INCLUDES: HRP - HEAT RECOVERY PUMP MOTOR HRL - HOT WATER LIMIT (140 DEG) SWT - ON/OFF SWITCH AND OVERLOAD

LINE VOLTAGE
NOTES (1) & (2)



NOTES:

1. SEE UNIT NAME PLATE FOR ELECTRICAL RATING
2. ALL FIELD WIRING MUST BE IN ACCORDANCE WITH N.E.C.-N.F.P.A. #70
3. 208/230V UNITS ARE FACTORY WIRED FOR 230V OPERATION. FOR 208V OPERATION, REMOVE ORG LEAD AND REPLACE WITH RED LEAD. CAP ALL UNUSED LEADS.
4. PTCR IS STANDARD ON SELECT UNITS.
5. EXTERNAL OVERLOAD STANDARD ON ALL UNITS EQUIPPED WITH ROTARY COMPRESSORS.
6. FOR ALTERNATE EMS COIL VOLTAGES CONSULT FACTORY.
8. UPM-1 INCLUDES BUILT IN:
 - 5 MINUTE DELAY ON BREAK
 - 90 SECOND LOW PRESSURE BYPASS
9. "TEST" JUMPER PIN REDUCES DELAYS TO 5 SEC WHEN SET TO YES.
10. "FREEZE SENSOR" JUMPER PIN MUST BE SET TO NO IF FREEZE SENSOR IS NOT INSTALLED.
11. "ALARM OUTPUT" JUMPER PIN MUST BE SET TO PULSE IF BLINKING T-STAT SERVICE LIGHT IS DESIRED.



1 STAGE	208/230V SINGLE PHASE	ECM MOTOR
1-1/2 THROUGH 6	THROUGH 6 TON CAPACITY	
UPM-1	WITH OUT ELECTRIC HEAT	
DWG NO.	GS111002	PG
DRAWN BY		DATE
REV		10-17-06
		4