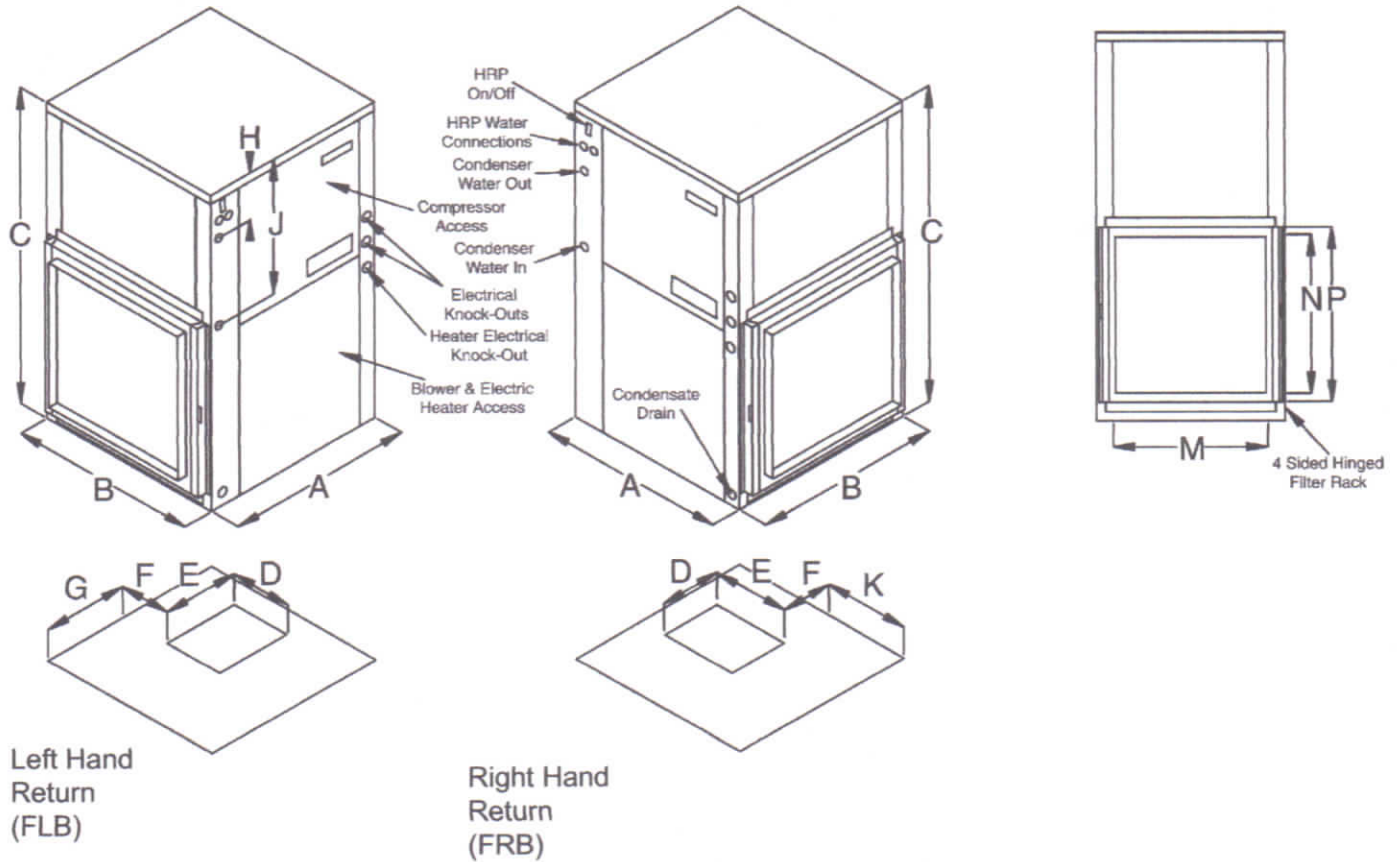


Greensource Si Series Model CE Residential Geothermal Heat Pump



BOSCH

CE Counterflow Unit Dimensions and Connections



CE - Counterflow Dimensions and Connections

Model	A	B	C	D	E	F	G	H	J	K	M	N	P	Condenser Water Connections (Swivel Type)	Recommended Replacement Normal Filter Size
	Width	Depth	Height	Dis-charge Depth	Dis-charge Width	Cabinet Edge to Dis-charge	Left Side to Dis-charge	Water Out	Water In	Right Side to Dis-charge	"R/A Duct Width"	"R/A Duct Flange Height"	"Filter Rack Height"		
CE025	21.50	26.00	47.25	9.25	10.25	6.00	5.50	8.50	19.50	9.75	22.00	22.00	24.00	1" FPT	24 X 24
CE035	21.50	26.00	47.25	9.25	10.25	6.00	5.50	8.50	19.50	9.75	22.00	22.00	24.00	1" FPT	24 X 24
CE049	24.00	32.75	47.25	10.75	11.50	11.13	6.88	7.50	18.50	8.75	28.00	22.00	24.00	1" FPT	24 X 30
CE061	26.00	33.25	51.25	12.00	12.50	8.38	5.00	9.75	21.75	10.50	28.00	22.00	24.00	1" FPT	24 X 30
CE071	26.00	33.25	58.25	12.75	13.50	9.75	4.50	7.00	20.25	11.00	28.00	30.00	32.00	1" FPT	16 X 30 (2)



All dimensions within +/- 0.125". Specifications subject to change without notice.

Bosch Thermotechnology Corp.
Londonderry, NH • Ft. Lauderdale, FL