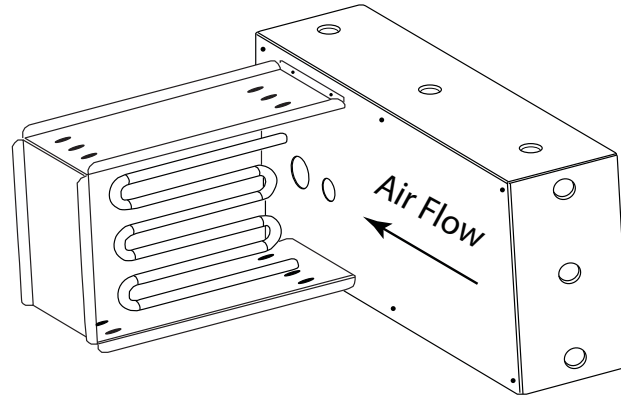




Overview



Description and Performance data

Model Number	Part Number	Total kW	Electrical Rating	Total Amps	MCA	MOCP	Stages	kW per Stage
MR-1414-5-1 @240V	7738000004	3.75/5	208/240V 1PH	18/20.8	22/26	25/30	1	3.75/5.0
MR-1416-5-1 @240V	7738000005	3.75/5	208/240V 1PH	18/20.8	22/26	25/30	1	3.75/5.0
MR-1416-10-1 @240V	7738000006	7.5/10	208/240V 1PH	36/41.6	45/52	50/60	1	7.5/10
MR-1616-5-1 @240V	7738000007	3.75/5	208/240V 1PH	18/20.8	22/26	25/30	1	3.75/5.0
MR-1616-10-1 @240V	7738000008	7.5/10	208/240V 1PH	36/41.6	45/52	50/60	1	7.5/10
MR-1818-5-1 @240V	7738000009	3.75/5	208/240V 1PH	18/20.8	22/26	25/30	1	3.75/5.0
MR-1818-10-1 @240V	7738000010	7.5/10	208/240V 1PH	36/41.6	45/52	50/60	1	7.5/10
MR-1818-15-1 @240V	7738000011	11.2/15	208/240V 1PH	54/62.5	67.6/78	70/90	2	3.75/7.5, 5.0/10
MR-1818-20-1 @240V	7738000012	15/20	208/240V 1PH	72/83.3	90/104	100/125	2	7.5/10

Engineering Specifications

BTU Duct Heaters are insert type, U.L. FILE E50663 - UL 1996 , Listed and labeled, suitable for Zero Clearance Installations in either verticle or horizontal duct systems and may be used with Heat Pumps, Cooling Units.

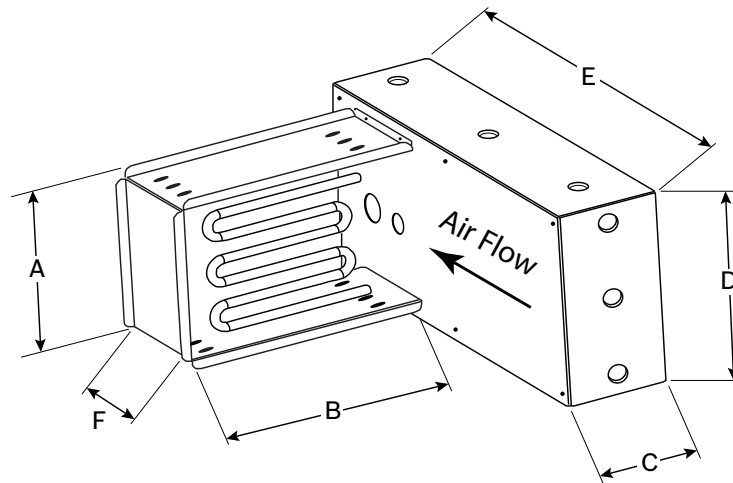
Contactor(s) (full line break) and protective devices are included. Automatic reset thermal limit switches are used as primary protective devices. Manually resettable devices are in the power circuits as back-up protection. 24 V standard control circuits and stainless steel hardware. Full line break on all ungrounded conductors. Heater must be used with heat pump or

thermostat programmed to heat pump mode with fan interlock logic.

Heaters rated over 48 amps are sub divided and fused in heater panel. Duct heater used in fiber glass duct systems, must have metal sleeve inside the duct to support heater being used. Control panels and shrouds are of heavy galvanized steel. Open wound helically coiled nickel/chrome alloy elements are set in frames of sturdy galvanized steel with rugged steatite insulators and stainless steel terminations. Hinges and latches are on all control box covers.



Dimensions



Model Number	Part Number	Unit	Dimension					
			A	B	C	D	E	F
MR-1414-5-1 @240V	7738000004	inches	13	13.5	4.5	14	11.5	8.6
MR-1416-5-1 @240V	7738000005	inches	13	15.5	4.5	14	11.5	8.6
MR-1416-10-1 @240V	7738000006	inches	13	15.5	4.5	14	11.5	8.6
MR-1616-5-1 @240V	7738000007	inches	15	15.5	4.5	16	11.5	8.6
MR-1616-10-1 @240V	7738000008	inches	15	15.5	4.5	16	11.5	8.6
MR-1818-5-1 @240V	7738000009	inches	17	17.5	4.5	18	11.5	8.6
MR-1818-10-1 @240V	7738000010	inches	17	17.5	4.5	18	11.5	8.6
MR-1818-15-1 @240V	7738000011	inches	17	17.5	5.5	18	18	8.6
MR-1818-20-1 @240V	7738000012	inches	17	17.5	5.5	18	18	8.6